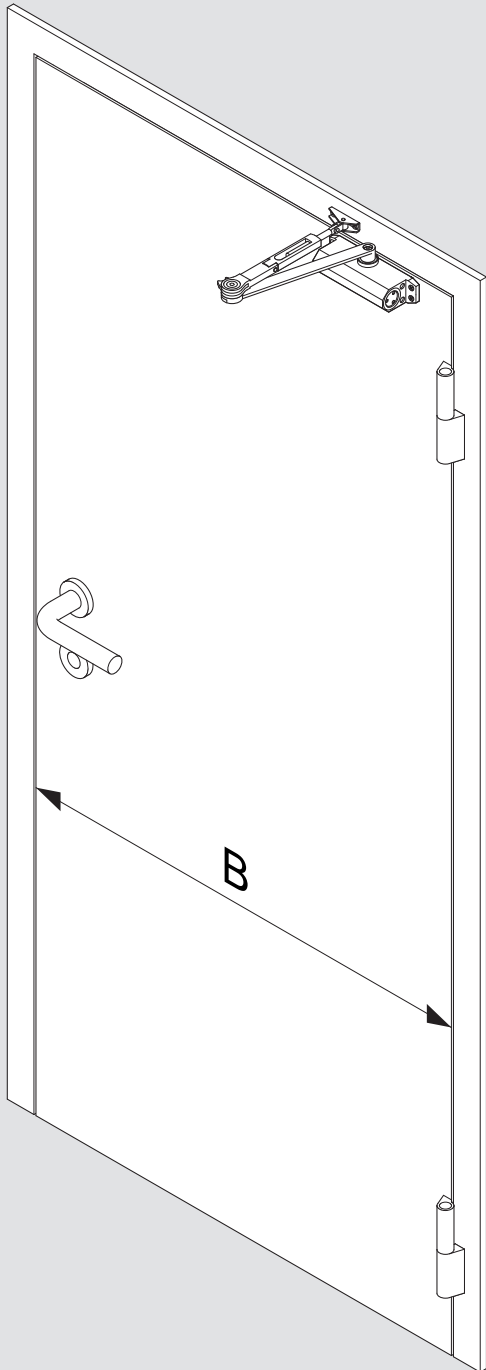
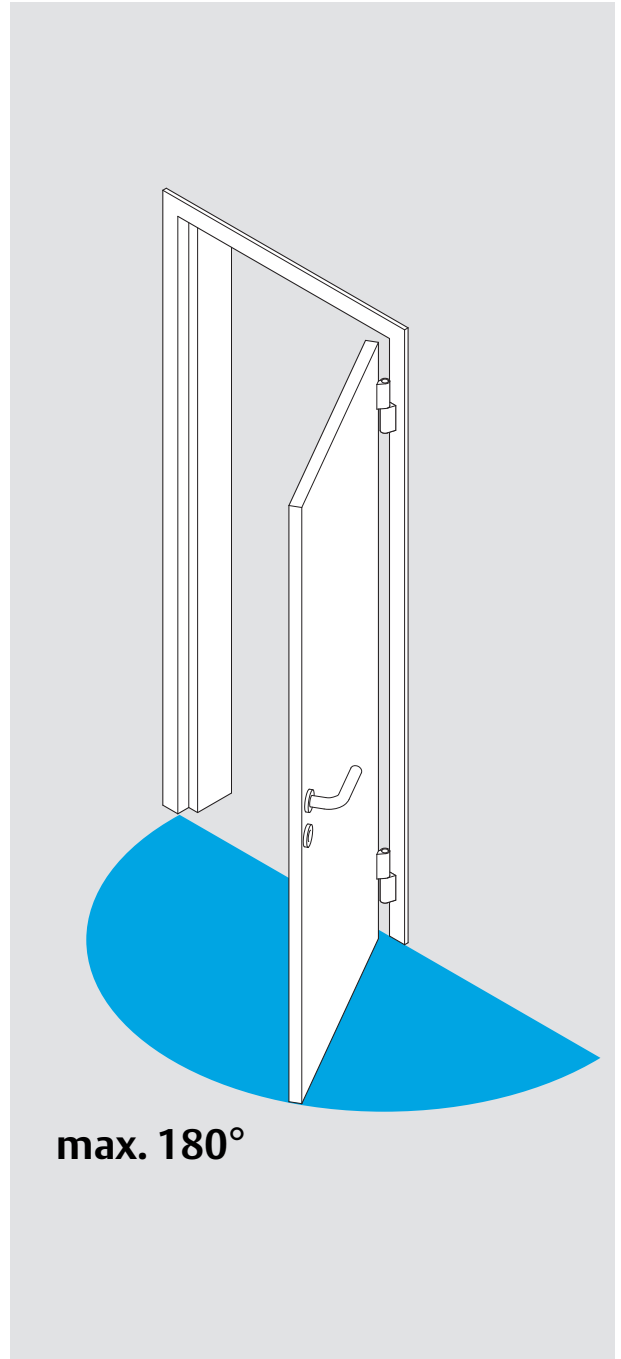


Installation Instructions

D1004003



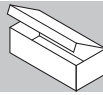
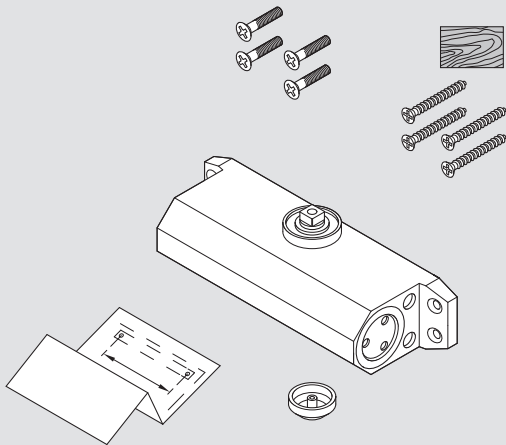
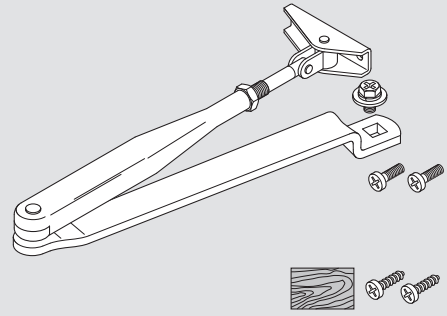
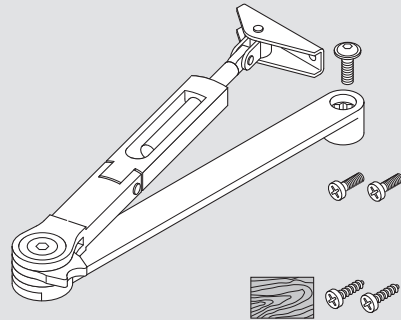
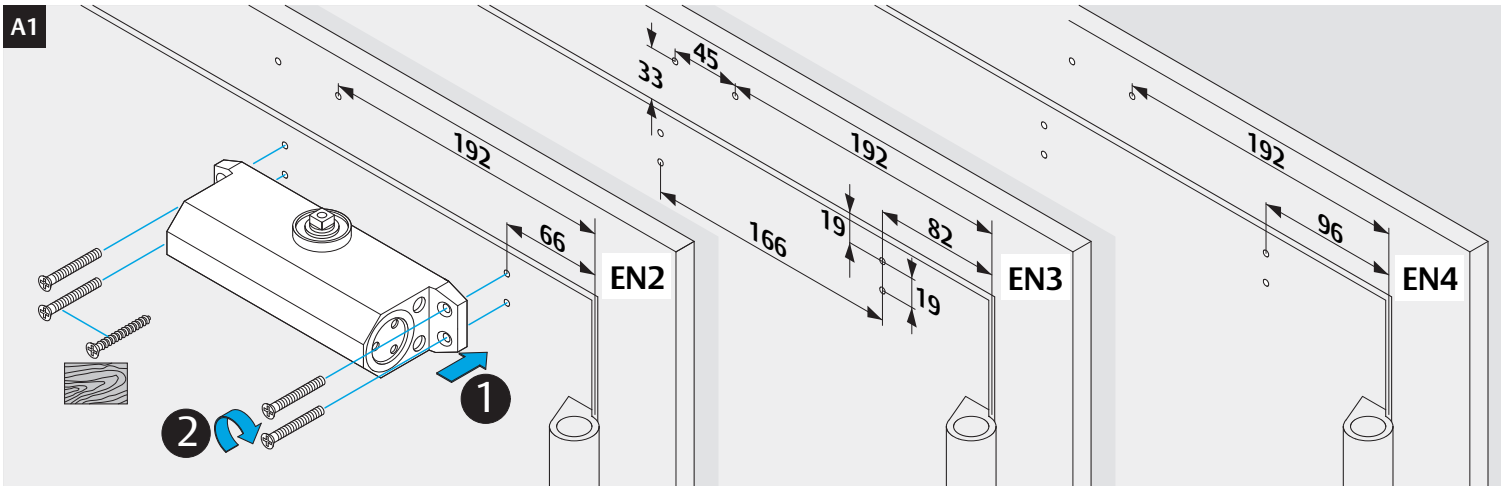
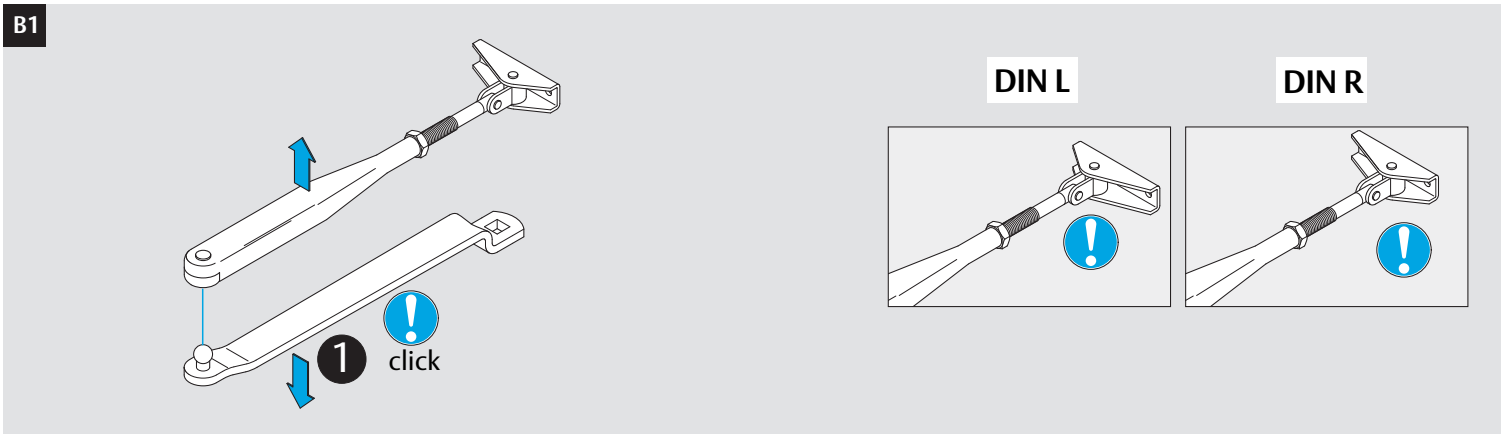
	B
EN2	≤ 850mm
EN3	≤ 950mm
EN4	≤ 1100mm



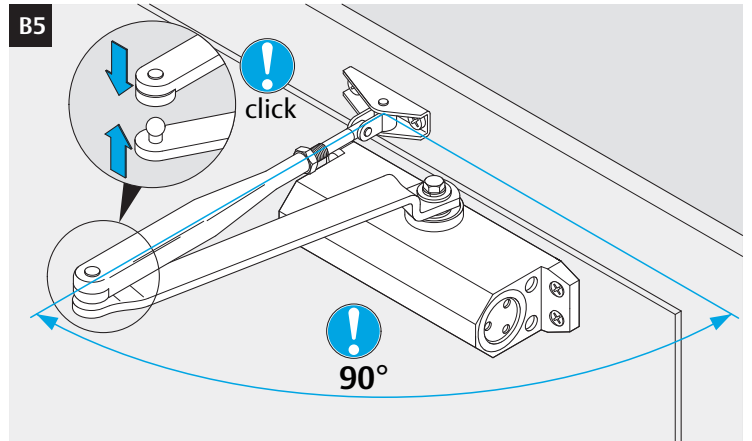
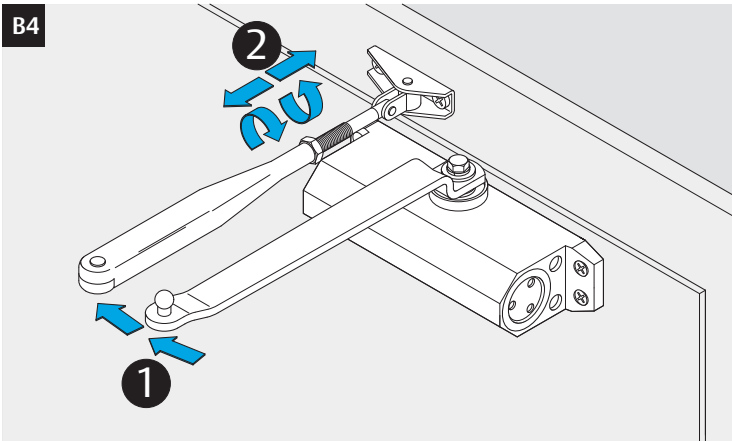
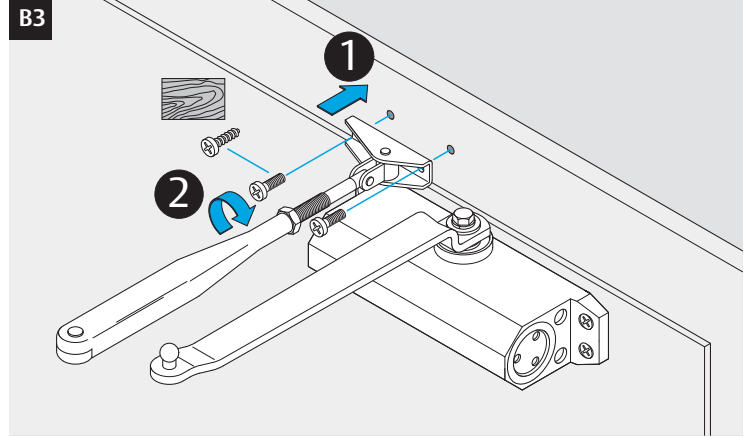
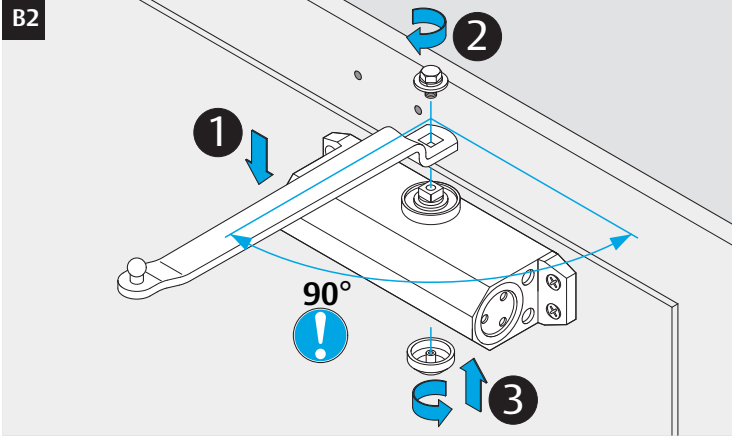
max. 180°

DC110

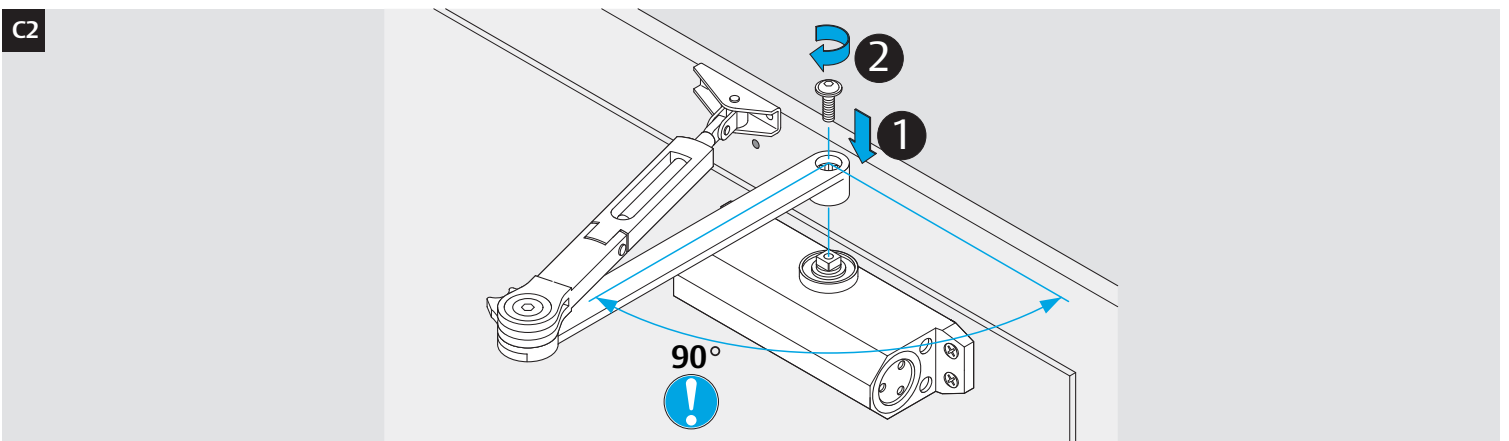
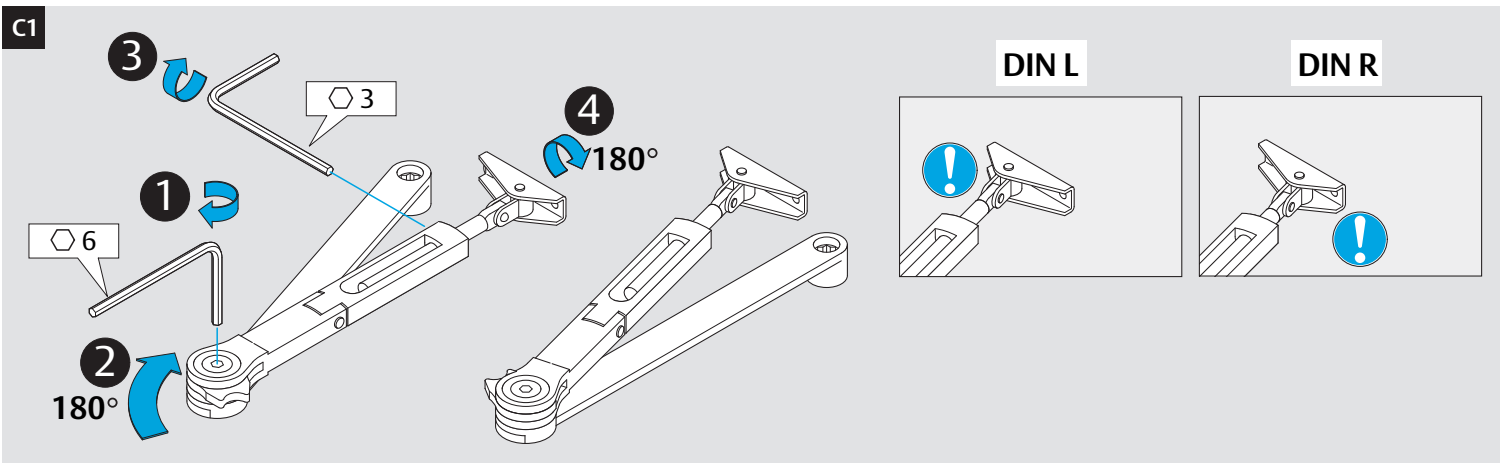
CE	ASSA ABLOY Aube Anjou 10, avenue de l'Europe CS 50024 Sainte Savine 10304 TROYES Cedex-France	11				
	1121-CPR-AD5104	EN1154:1996+A1:2002+AC:2006	4	8	² / ₄	1 1 3
Dangerous substances: none						

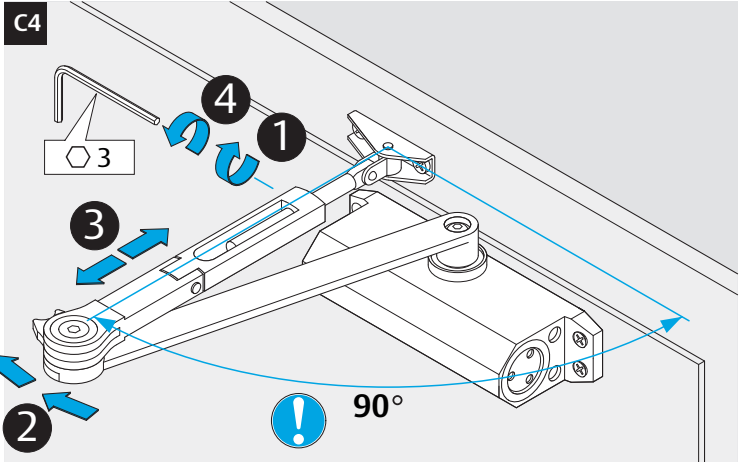
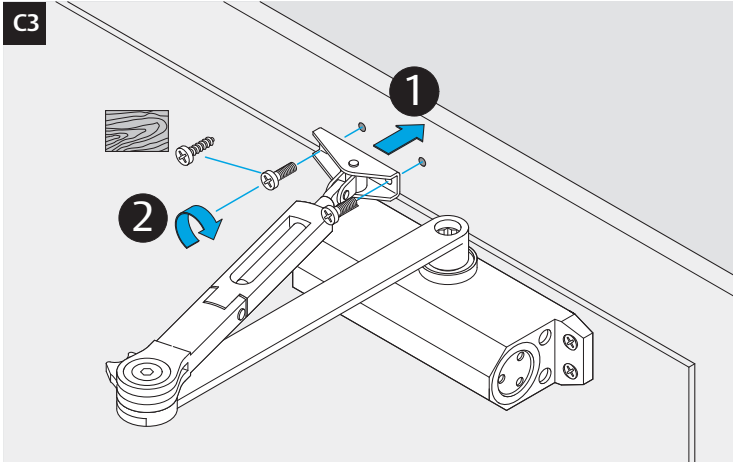
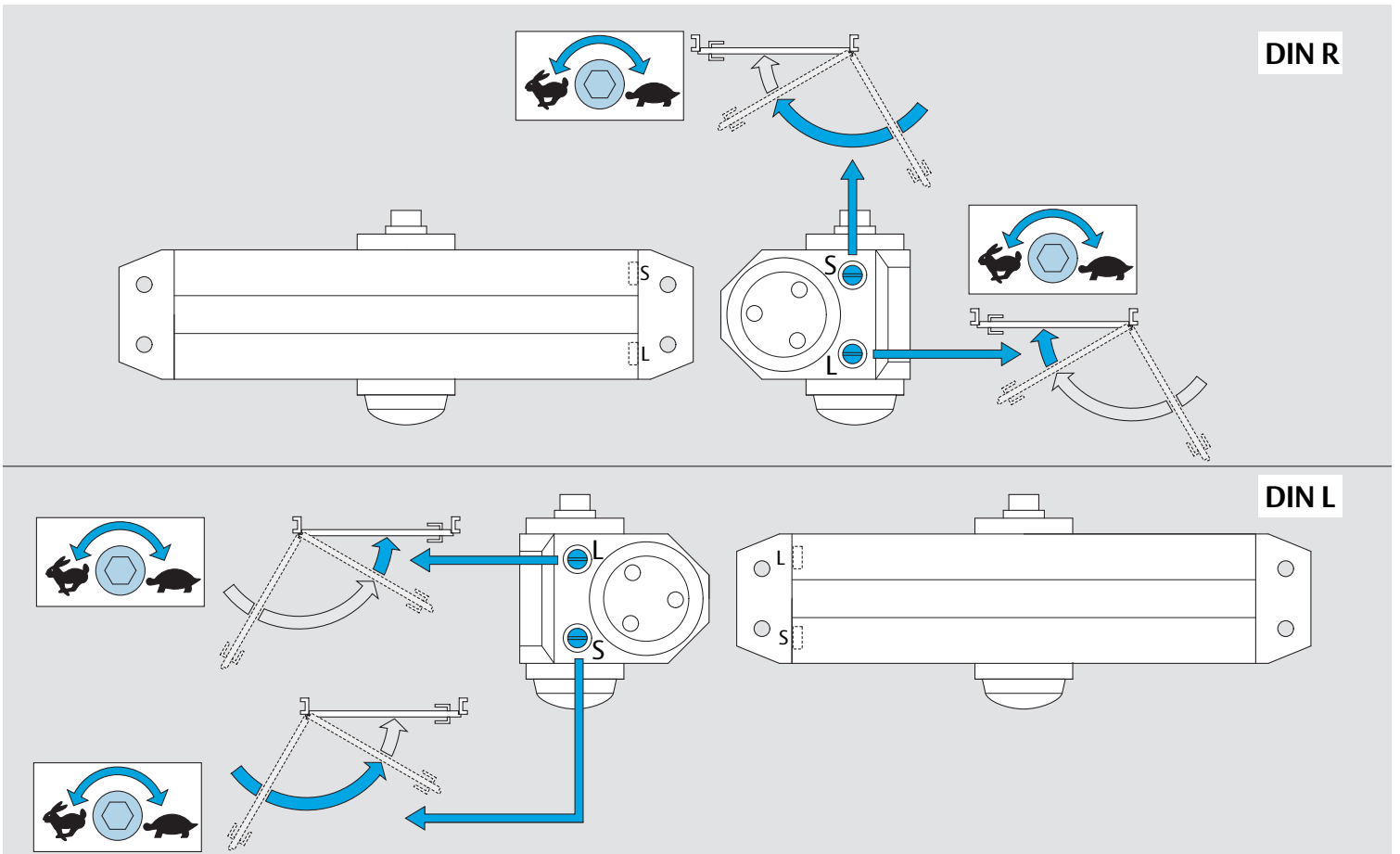
**A****B****C****A****B**

B



C



C**A**

ASSA ABLOY is the global leader in door opening solutions, dedicated to satisfying end-user needs for security, safety and convenience.

ASSA ABLOY

ASSA ABLOY Aube Anjou
10, avenue de l'Europe
CS 50024 Sainte Savine
10304 TROYES Cedex-France

Tél.: +33 (0)3 25 42 30 30
Fax: +33 (0)3 25 43 31 29

Declaration of performance:
www.vachette.fr/dop