

LB7-UC06E-AB A/B Cabinet Loudspeaker 6W

www.boschsecurity.com



BOSCH
Invented for life



- ▶ High efficiency
- ▶ Two independent loudspeaker systems in one housing
- ▶ Knock-out ports for conduit - or cable entries
- ▶ EN 54-24 certified

This A/B Cabinet loudspeaker has two independent 6 W loudspeaker systems and is suitable for sound systems where redundancy is requested. In normal situations, both loudspeakers are powered with the same audio signal from independent amplifiers. In case the A-line fails, the other connected loudspeaker receives the signal from line B and the other way around.

In mainly small areas, A/B loudspeakers provide an economic and efficient solution compared to installing two separate cabinet loudspeakers.

Certifications and approvals

Quality assurance

All Bosch loudspeakers are designed to withstand operating at their rated power for 100 hours in accordance with IEC 60268-5 Power Handling Capacity (PHC) standards. Bosch has also developed the Simulated Acoustical Feedback Exposure (SAFE) test to demonstrate that they can withstand two times their rated power for short durations. This ensures improved reliability under extreme conditions, leading

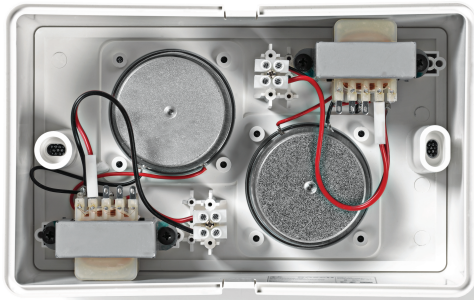
to higher customer satisfaction, longer operating life, and lessens the chance of failure or performance deterioration.

Emergency	According to EN 54-24
Safety	According to EN 60065
Self-extinguishing	According to UL 94 V 0
Water and dust protected	According to EN 60529, IP21

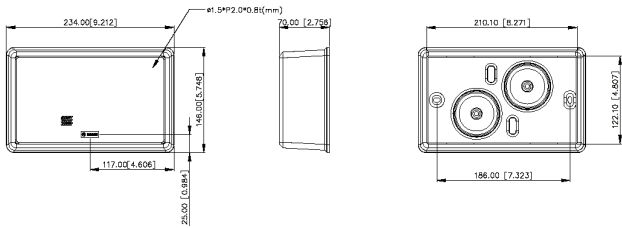
Installation/configuration notes

The rectangular ABS cabinet has a removable metal front grille.
Easy to install, hidden wall mounting by using two screws supplied with the product.
Two knock-out holes at the top- and bottom of the cabinet allow for easy entry of cable or conduct.
Two rubber grommets in matching color of the cabinet are delivered as standard.
The two independent loudspeakers are provided with transformers and separate screw terminals. The transformers allow selection of nominal full-power,

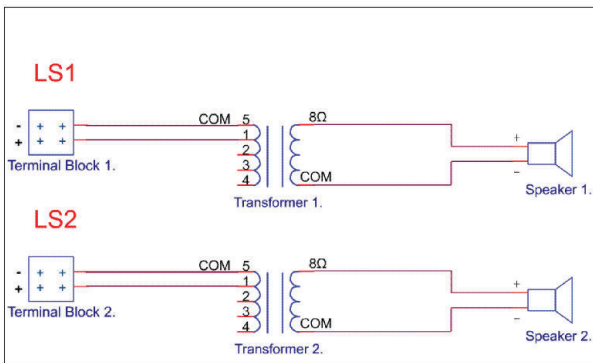
half-power, quarter or eighth-power radiation (in 3 dB steps) by connecting the 100 V line to the appropriate primary tap on the matching transformer. After wiring and mounting the cabinet to the wall, the metal front grille can be pushed back on the cabinet.



Rear view

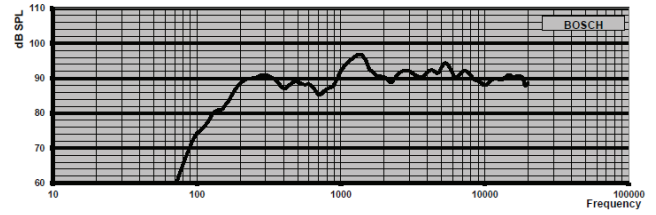


Dimensions in mm (in)

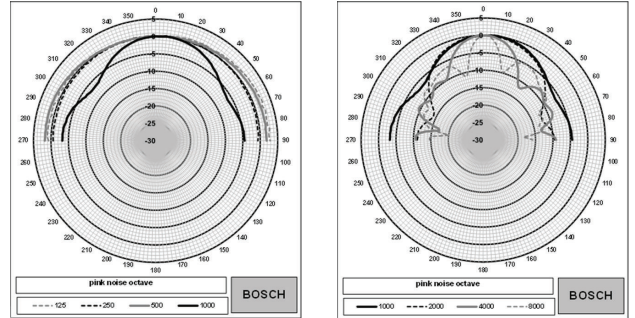


Power: 100V		
POS.	LS1	LS2
1	6W	6W
2	3W	3W
3	1.5W	1.5W
4	0.75W	0.75W

Circuit diagram



Frequency response



Polar diagrams

Octave band sensitivity *	Driver A/B active		
	Octave SPL 1W/1m	Total octave SPL 1W/1m	Total octave SPL Pmax/1m
125 Hz	69.9	-	-
250 Hz	88.8	-	-
500 Hz	89.3	-	-
1000 Hz	88.5	-	-
2000 Hz	89.4	-	-
4000 Hz	88.9	-	-
8000 Hz	86.0	-	-
A-weighted	-	85.6	92.4
Lin-weighted	-	86.9	93.8

Octave band opening angles

	Horizontal	Vertical	
125 Hz	180	180	
250 Hz	180	180	
500 Hz	180	180	
1000 Hz	180	180	
2000 Hz	160	130	
4000 Hz	120	136	
8000 Hz	96	86	

Acoustical performance specified per octave

* (all measurements are done with a pink noise signal; the values are in dB SPL)

Octave band sensitivity *		Driver A + B active	
	Octave SPL 1W/1m	Total octave SPL 1W/1m	Total octave SPL Pmax/1m
125 Hz	72.8	-	-
250 Hz	92.3	-	-
500 Hz	91.1	-	-
1000 Hz	91.2	-	-
2000 Hz	92.6	-	-
4000 Hz	92.0	-	-
8000 Hz	89.1	-	-
A-weighted	-	88.8	98.0
Lin-weighted	-	89.8	99.2

Octave band opening angles

	Horizontal	Vertical	
125 Hz	180	180	
250 Hz	180	180	
500 Hz	180	180	
1000 Hz	155	180	
2000 Hz	85	110	
4000 Hz	71	47	
8000 Hz	37	22	

Acoustical performance specified per octave

* (all measurements are done with a pink noise signal; the values are in dB SPL)

Parts included

Quantity	Component
1	A/B Cabinet loudspeaker
1	Installation instruction
2	Mounting screws (4 x 38 mm)
2	Rubber grommets

Technical specifications

Electrical*

Rated power (PHC)	2 x 6 W (6-3 - 1.5 - 0.75 W)
Sound pressure level at 6 W/1 W (1 kHz, 1 m)	96 / 88 dB (single driver) 99 / 91 dB (both drivers)

Sound pressure level at 6 W/1 W (1 kHz, 4 m)	84 / 75 dB (single driver) 88 / 77 dB (both drivers)
Frequency response (-10 dB)	180 Hz to 20 kHz
Opening angle at 1 kHz / 4 kHz (-6 dB)	180° / 120° horizontal (single driver) 155° / 71° horizontal (both drivers) 180° / 136° vertical (single driver) 180° / 47° vertical (both drivers)
Rated voltage	100 V
Rated impedance	1667 Ohm @ 6 W 3333 Ohm @ 3 W 6667 Ohm @ 1.5 W 13333 Ohm @ 0.75 W
Connector	2 x 2-pole ABS screw terminal block
Acceptable wire gauge	0.5 to 4 mm ²

* Technical performance data acc. to IEC 60268-5

Mechanical


Dimensions (H x W x D)	146 x 234 x 70 mm
Weight	1.33 kg
Color	White (RAL 9003)

Environmental

Operating temperature	-10°C to +55°C (14°F to +131°F)
Storage and transport temperature	-40 °C to +70 °C (-40 °F to +158 °F)
Relative humidity	< 95%

Note:

- The specification data is measured in an anechoic chamber, free field
- The reference axis is perpendicular to the center point of the front grille
- The reference plane is perpendicular to the center of the reference axis
- The horizontal plane is perpendicular to the center of the reference plane

 1438
Bosch Security Systems BV Torenallee 49, 5617 BA Eindhoven, the Netherlands 18 1438-CPR-0579
EN 54-24:2008 Loudspeaker for voice alarm systems for fire detection and fire alarm systems for buildings A/B Cabinet Loudspeaker 6 W LB7-UC06E-AB Type A DoP: DECL DoP EUR EN54-24 LB7-UC06E-AB

Ordering information

LB7-UC06E-AB A/B Cabinet Loudspeaker 6W

A/B Cabinet loudspeaker with two independent
loudspeaker systems
Order number **LB7-UC06E-AB**

Represented by:

Europe, Middle East, Africa:
Bosch Security Systems B.V.
P.O. Box 80002
5600 JB Eindhoven, The Netherlands
Phone: + 31 40 2577 284
emea.securitysystems@bosch.com
emea.boschsecurity.com

Germany:
Bosch Sicherheitssysteme GmbH
Robert-Bosch-Ring 5
85630 Grasbrunn
Germany
www.boschsecurity.com

North America:
Bosch Security Systems, Inc.
130 Perinton Parkway
Fairport, New York, 14450, USA
Phone: +1 800 289 0096
Fax: +1 585 223 9180
onlinehelp@us.bosch.com
www.boschsecurity.us

Asia-Pacific:
Robert Bosch (SEA) Pte Ltd, Security Systems
11 Bishan Street 21
Singapore 573943
Phone: +65 6571 2808
Fax: +65 6571 2699
apr.securitysystems@bosch.com
www.boschsecurity.asia