

*Since 1968*

**COMMAX**  
SmartHome & Security

# User Manual

Door Unit DR-2A2N



[www.commax.com](http://www.commax.com)

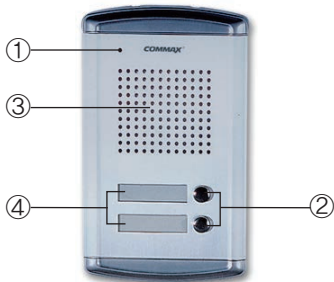
COMMAX Co.,Ltd



- Thank you for purchasing COMMAX products.
- Please carefully read this User's Guide (in particular, precautions for safety) before using a product and follow instructions to use a product exactly.
- The company is not responsible for any safety accidents caused by abnormal operation of the product.

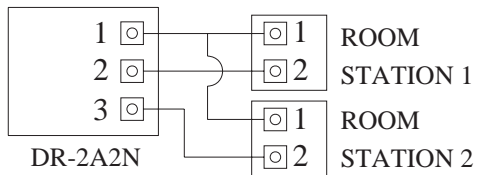
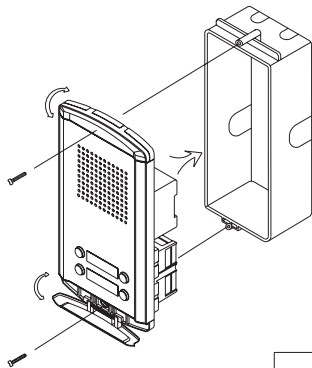
## Overview

- ① Microphone : Transmits visitor's voice.(Outdoor ⇔ Indoor)
- ② Call Button : Call to household.
- ③ Speaker : Transmits householder's voice.(Indoor ⇔ Outdoor)
- ④ Name Tag : Name of each household.

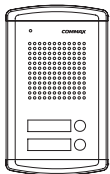


## Wiring and Installation

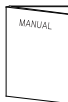
1. Fix the hole of bracket with wall hole.
2. Connect Room station cables as appeared in the figure below.
3. Put the door unit inside of a back box as shown in the figure below.
4. Connect Door Release cable as appeared in the figure below.
5. Place the unit on the wall and mount with screws supplied.



## Contents



DR-2A2N



Manual



BOLT/NUT/WRENCH 3X30



BOLT/NUT/WRENCH 2.5#

## Specification

Model No.	DR-2A2N
Rated voltage/Power consumption	9V $\equiv$ (supplied from Room Unit)
Wiring	3 Wired
Installation	Flush mounted type
Dimension	123 X 210 X 16(59)mm
Operating Temp.	-10°C ~ +50°C

# **COMMAX**

**COMMAX Co.,Ltd.**

513-11, Sangdaewon-dong, Jungwon-gu, Seongnam-si, Gyeonggi-do, Korea  
Int'l Business Dept. : Tel.; +82-31-7393-540~550 Fax.; +82-31-745-2133  
Web site : [www.commax.com](http://www.commax.com)

PM132A2N0010

Printed In Korea / 2011.06.105