

E17Z8816PDC-MP 3 Megapixel Motorized Zoom Lens

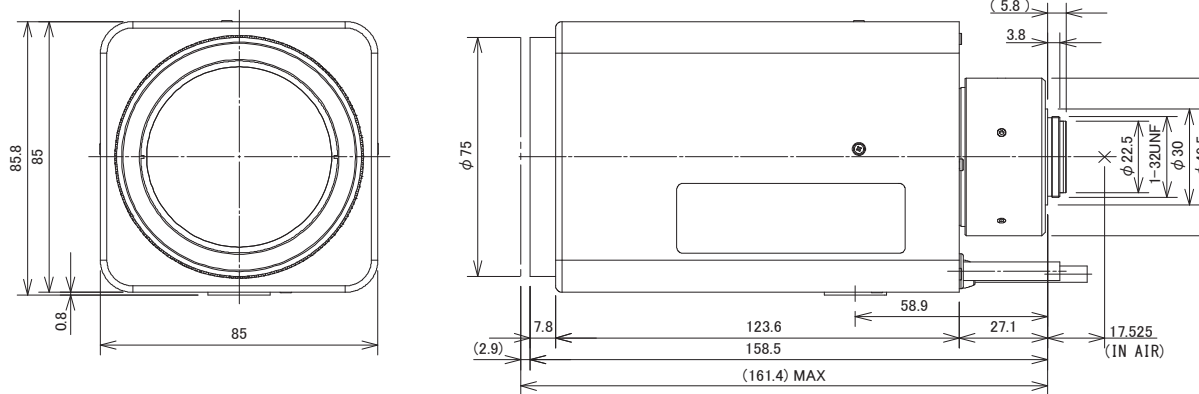


The 3 megapixel E17Z8816PDC-MP motorized zoom lens brings the distance into razor-sharp focus. The focal length covers a range of 8.8 - 150mm.

The C-mount lens is optimized for sensor sizes of 1 / 1.8 " and has a DC auto iris. A preset can be set for the focus or the zoom and a front filter can be attached if required. Ideal for long range zoom applications including border security, surveillance and transportation.

Model No.	E17Z8816PDC-MP			Effective	Front	φ 56.6mm	
Focal Length	8.8mm - 150mm			Lens Aperture	Rear	φ 14.9mm	
Max. Aperture Ratio	1:1.6			Back Focal Length		13.5mm	
Max. Image Circle	φ 8.9mm			Flange Back Length		17.526mm	
Operation Range	Iris	F1.6 - F500C		Mount		C-Mount	
	Focus	4m - Inf.		Filter Size		M72 P=0.75mm	
	Zoom	8.8mm - 150mm		Tripod Screw		1/4 -20UNC	
Control	Iris	DC Auto Iris		Dimensions		W85mm x H85.8mm x D158.5mm	
	Focus	Motorized		Weight		1160g	
	Zoom	Motorized					
Angle of View	D	1/1.8 type	54.4° - 3.4°	1/2 type	49.3° - 3.1°	1/3 type	37.4° - 2.3°
	H	(4:3)	44.1° - 2.8°	(4:3)	39.9° - 2.5°	(4:3)	30.1° - 1.9°
	V		33.4° - 2.1°		30.1° - 1.9°		22.7° - 1.4°
		Iris		Focus		Zoom	
Supply Voltage	---			DC6V		DC6V	
Current	---			90mA or less		90mA or less	
Response Time	---			Approx. 5.4 sec.		Approx. 6.4 sec.	
Preset Potentiometer	---			5k Ω VR		5k Ω VR	
Coil	Drive	190 Ω					
	Control	1000 Ω					
Operating Temperature	-10°C - +50°C						

Dimensions:



Specifications are subject to change without notice.