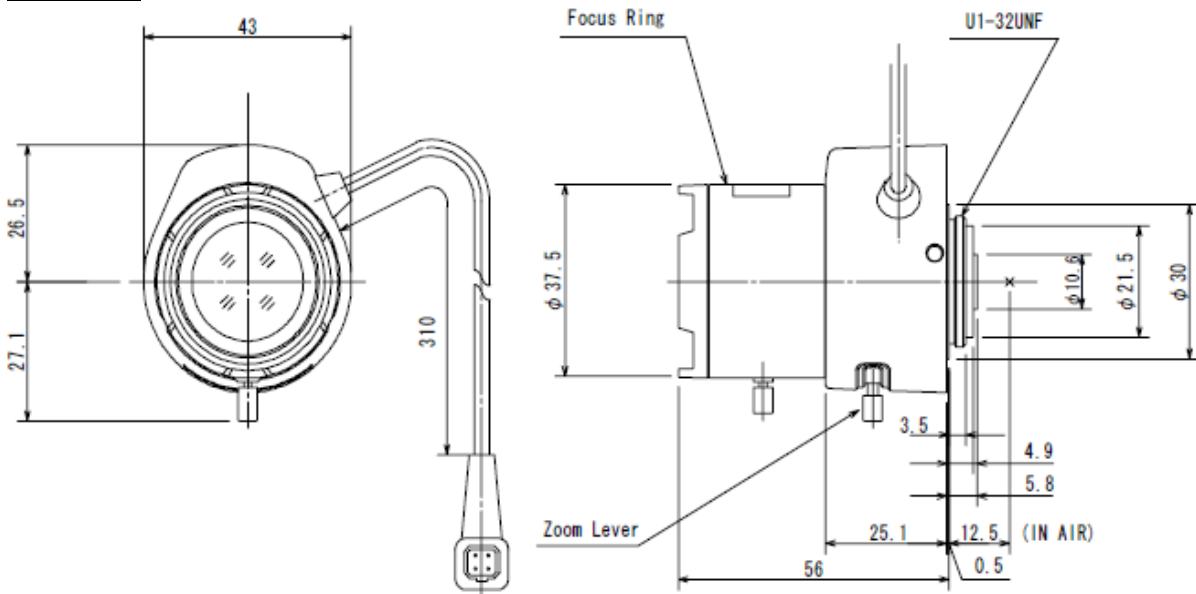


TG4Z2816FCS-MPIR-31

4X 2.8-12mm F1.6 Day & Night
for 1/3 type Megapixel Cameras, Vari-focal Auto Ires DC Drive
CS-Mount

Model No.	TG4Z2816FCS-MPIR-31		Effective	Front	φ 23mm
Focal Length	2.8-12mm		Lens Aperture	Rear	φ 7.4mm
Max. Aperture Ratio	1:1.6		Back Focal	Tele	19.2mm
Max. Image Format	4.8mm x 3.6mm(φ 6mm)		Length	Wide	7.2mm
Operation Range	Iris	F1.6 - F360	Flange Back Length		12.5mm
	Focus	0.3m - Inf.	Mount		CS-Mount
	Zoom	2.8mm - 12mm	Filter Size		-
Control	Iris	DC Auto Iris	Dimensions		φ 37.5mm x 48mm x 56mm
	Focus	Manual	Weight		71g
	Zoom	Manual			
Angle of View	D	1/3 type	133.0° - 29.7°	1/4 type	95.0° - 22.3°
	H		102.2° - 23.7°		74.2° - 17.8°
	V		74.2° - 17.8°		54.7° - 13.3°
Coil	Drive	190 Ω / 20°C			
	Control	855 Ω / 20°C			
Operating Temperature	-10°C - +50°C				

Dimensions



Wiring Diagram

