

### Essentia Intelligent DIN-rail switch monitor EME214-I

The Essentia intelligent DIN-rail switch monitor EME214-I with isolator provides supervision of normally open contacts connected to a single pair of cables. It has selectable status reporting delay making it suitable for monitoring flow switches.

There is a DIL switch for address setting. Address range is 1-126.



Figure 1. Essentia intelligent DIN-rail switch monitor EME214-I

Table 1. Essentia intelligent DIN-rail switch monitor

	TECHNICAL SPECIFICATIONS
<b>Esmi product number</b>	FFS06720314
<b>Model number</b>	EME214-I
<b>Supply voltage (Vmin-Vmax)</b>	17-35V DC
<b>Protocol</b>	5-13V peak to peak
<b>Power-up surge current</b>	900µA
<b>Quiescent current</b>	500µA
<b>Max current LEDs on</b>	2mA
<b>Max current LEDs disabled</b>	500µA
<b>Operating temperature</b>	-40 °C to +70 °C
<b>Humidity</b>	0% to 95% RH (no condensation or icing)
<b>Vibration, impact and shock</b>	EN 54-17 & EN 54-18
<b>Standards and approvals</b>	EN 54-17 & EN 54-18, CPR and LPCB
<b>Dimensions</b>	33mm height x 102mm width x 33mm depth
<b>Weight</b>	46g

Specifications are typical at 24V, 25°C and 50% RH unless otherwise stated.

Legend	LED Status	Description
Poll/ISOL	Flashing Green	Polling LED
Poll/ISOL	Continuous Yellow	Isolator LED
I/P	Continuous Yellow	Input Fault
I/P	Continuous Red	Input Active

Figure 2. Status indications

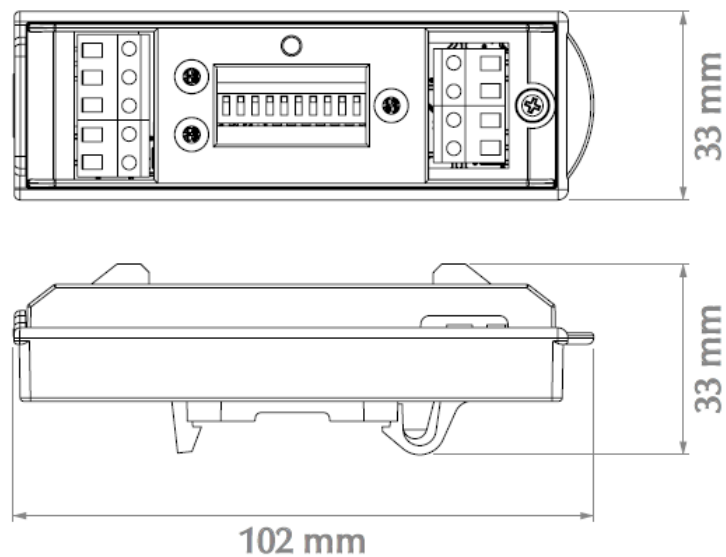


Figure 3. Dimensions

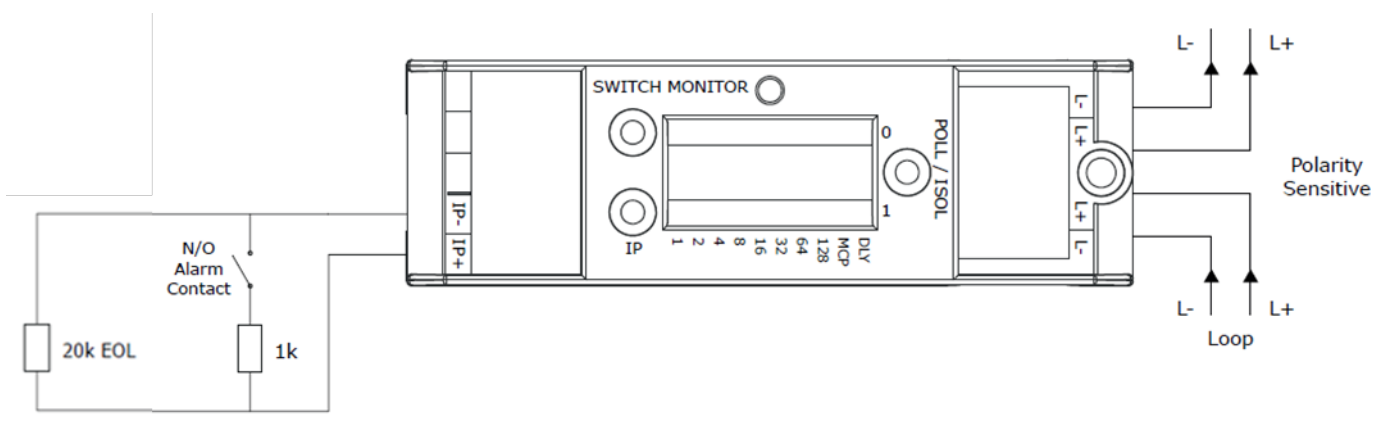


Figure 4. Essentia intelligent DIN-rail switch monitor standard resistive monitoring mode connectivity diagram