

RELAY GROUP



FEATURES

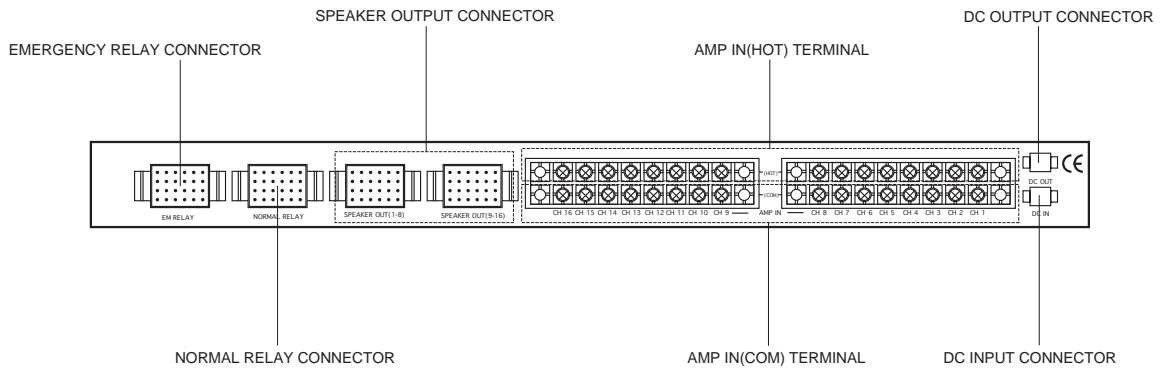
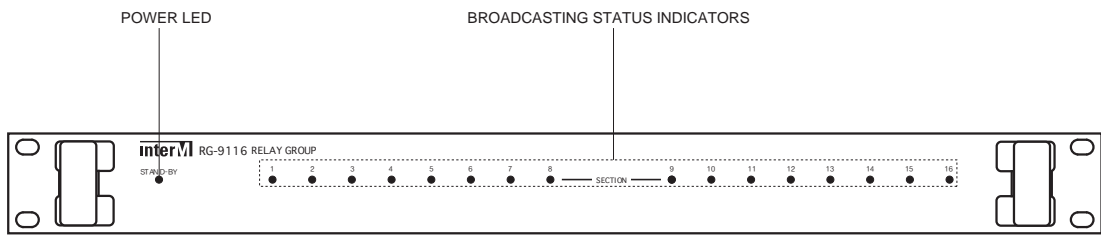
- **SPEAKER LINE SWITCHING**
The speaker output is provided the emergency speaker lines of operating by emergency signal and the normal speaker lines of operating by normal signal.
- **BROADCASTING STATUS INDICATORS**
You can check easily the operating status by indicating LED.

* This model should be used with concerning equipment (emergency switcher-our model ES-9116, matrix-our model PX-9116, emergency panel-our model EP-9216)

SPECIFICATIONS

- **ELECTRICAL** *0dB=0.775Vrms
 - Speaker Switching.....16 Line
 - Line of Normal Relay.....16 Line
 - Line of Emergency Relay16 Line
 - IndicatorPower LED
Channel LED
- **GENERAL**
 - Power SourceDC 24V
 - Weight3.8kg
 - Dimensions.....482(W) × 44(H) × 280(D)mm

RG-9116



BLOCK DIAGRAM

