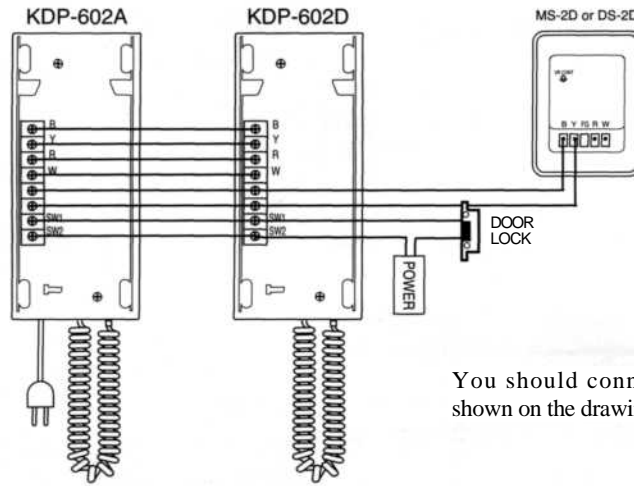


Wiring Diagram

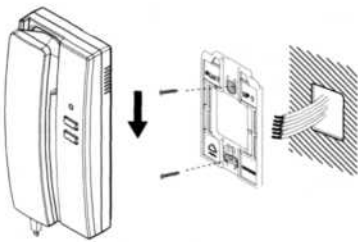
Wiring diagram of between two Indoor stations and DS-2D outdoor station



You should connect the wires as shown on the drawing

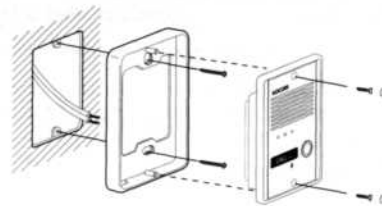
Installation

Installation of indoor station



A- Choose a place on the wall where you want to hang the DOOR PHONE. B- Fasten the wall hanger on the wall. C- DOOR PHONE can be hung on the wall hanger easily now.

Installation of outdoor station



After attaching the body supporter with 2 screws, put the Door Camera into the grooves of body supporter, and then fix it with screws.

Outdoor station can be attached on a wall or on a door as shown on the drawing.