





Outdoor Pan/Tilt

PIH-303

INSTRUCTION MANUAL

WARNING : TO REDUCE RISK OF FIRE OR ELECTRIC SHOCK ,
DO NOT EXPOSE THIS APPLIANCE TO RAIN OR MOISTURE .

 <div style="display: inline-block; text-align: center;"><div style="border: 1px solid black; padding: 5px;">CAUTION</div><div style="background-color: black; color: white; padding: 5px;">RISK OF ELECTRIC SHOCK</div></div> 
<p>CAUTION : TO REDUCE THE RISK OF ELECTRIC SHOCK, DO NOT OPEN COVER. NO USER SERVICEABLE PARTS INSIDE. REFER SERVICING TO QUALIFIED SERVICE PERSONNEL.</p>



The lightning flash with arrowhead symbol, within an equilateral triangle, is intended to alert the user to the presence of uninsulated "dangerous voltage" within the product's enclosure that may be of sufficient magnitude to constitute a risk of electric shock to persons.



The exclamation point within an equilateral triangle is intended to alert the user to the presence of important operating and maintenance (servicing) instructions in the literature accompanying the unit.

PRECAUTIONS

- ⊗ **Do not drop or strike this equipment.**
It will cause damage to the equipment.
- ⊗ **Do not install the equipment near any naked flames or heat sources.**
The presents of flammable gas or object in the operating environment or exposing this unit to direct sunlight may cause fire and severe injury.
- ⊗ **Do not expose this unit to rain , moisture , smoke or dust environment.**
May cause short circuit, fire and serious damage to this unit.
Unplug this unit and have it checked by qualified service personnel.
- ⊗ **Do not cover the opening of the cabinet with cloth and plastic or to install this unit in poor ventilated places. Allow 10cm between this unit and its surroundings.**
May cause overheat. The normal operating temperature is 0 °C ~ 40 °C.
- ⊗ **Do not continue to operate the unit under abnormal conditions such as detection of smoke, strange smell or no display on screen while power is turned on.**
Contact qualified service personnel for help.
- ⊗ **Do not touch the power connection with wet hands.**
May cause short circuit or electric shock.
- ⊗ **Do not damage the power cord or leave it under pressure.**
May cause fire or shock hazard.
- ⊗ **Do not operate this unit near magnet, speaker system, etc., to avoid unnecessary magnetic interference.**
These interference will cause color confusion and screen fluctuation.
- ⊗ **Do not drop metallic parts through slots.**
This could permanently damage the appliance.
- ⊗ **Connection cables should be grounded properly.**
Sudden surge such as lightning will damage the system permanently.



PREFACE

Thank you for choosing PIH-303 Outdoor Pan/Tilt. For trouble free installation and optimum performance please read this manual thoroughly before attempting installation or operation.

CONTENTS

	Page
1. Installation	2
2. Wiring Of Unit	2
3. Inverted Mounting	2
4. Adjusting Pan Limit	3~5
5. Mintenance	6
6. Specifications	6

1. INSTALLATION

This Pan/Tilt unit is intent to be mounted on a Wall Mount. The Wall Mount used should not only be sturdy enough to handle the load but also able to keep away vibration caused by gusting wind.

- A. Secure the Wall Mount to a wall or post.
- B. Install and tighten the Pan/Tilt unit to the Wall Mount using 4 sets of 3/8-30mm hex. Bolts and nuts.

Note: ● The bolts and nuts are provided in the package. Make sure all 4 bolts and nuts are used to secure the Pan/Tilt unit on the Wall Mount.

- It is best to have the cable connector not pointing at the surveillance area.

2. WIRING OF UNIT

Fabricate the interconnecting cable in accordance with Figure 1. For proper operation.

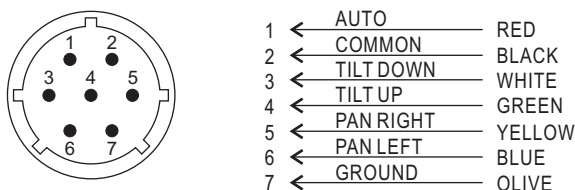


Figure 1
Cable Assembly Diagram

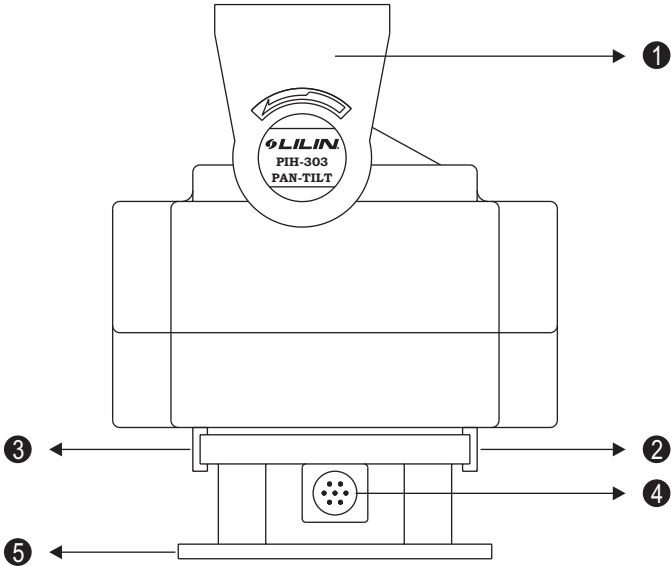
3. INVERTED MOUNTING

- A. Repeat steps on section 1. Installation
- B. To correct the left-right directions for manual operation caused by inverted mounting, wiring should be changed simply by switching leads going to terminal 3 and 4.

4. ADJUSTING PAN LIMIT

After cable is installed and unit has been mounted, proceed as follow:

1. Plug control unit into a 117V a.c. (optional 230V a.c. / 24Va.c.) Source. Be sure auto switch is at OFF position.



①	Camera Mounting Plate.
②	Pan Right Limited Stopper.
③	Pan Left Limited Stopper.
④	7 Pin Socket.
⑤	Base Plate.

Figure 2
Side View PIH-303

2. To adjust pan limit (Figure 2), loosen screws securing both stoppers (Figure 2) and (Figure 3) to unit. Slide stoppers around unit to desired locations and secure by tightening screws.

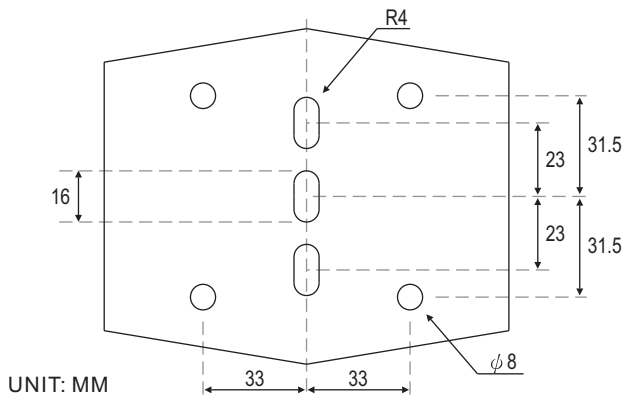


Figure 3
Camera Mounting Plate

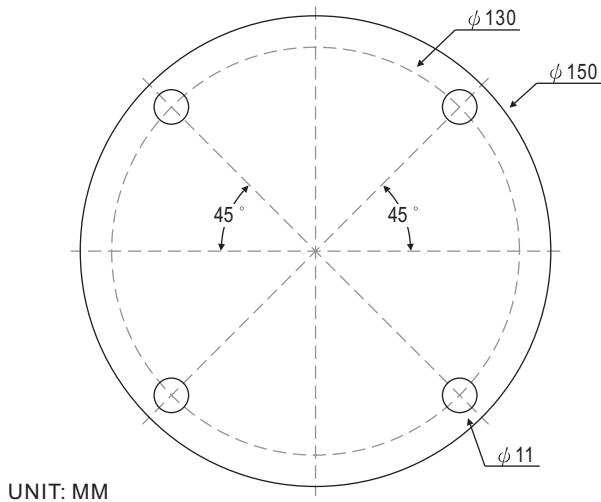


Figure 4
Base Plate

3. To disassemble the unit, take off the screws in sequential orders from 1~4 shown on Figure 5. To assemble, reverse the steps.

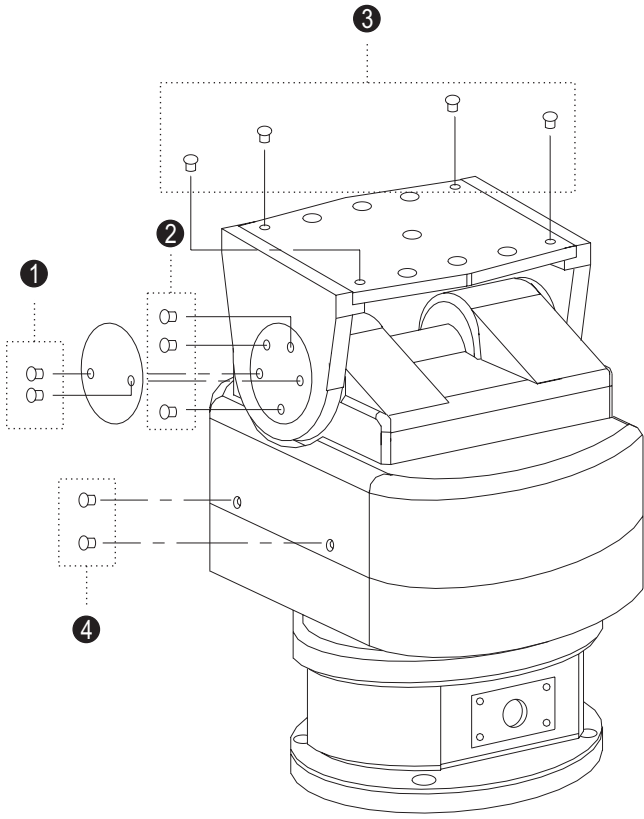


Figure 5
Unit Assembly

5. MAINTENANCE

This pan and tilt unit requires no lubrication or maintenance for the life of the unit.

6. SPECIFICATIONS

Input Voltage	24V AC	117V	230V
Angular Travel	Pan: 350° , Tilt: 50° , Down: 50°		
Pan Speed	6° / sec		
Tilt Speed	3° / sec		
Maximum Load	15 kg		
Limit Stop	Externally adjustable		
Motor Output	10W	5W	6W
Operating Current	1.5A	0.2A	0.2A
Duty Cycle	Pan: continuous, Tilt: Intermittent		
Cable Requirement	7 - connector, unshielded		
Construction	Aluminum alloy		
Seals	Double ring gasket seals for all weather protection		
Operating Temperature	-20°C ~ +60°C		
Operating Humidity	35% ~ 90% (Relative Humidity)		
Dimension	φ 200 x 248(H) mm		
Weight	5.7 kg		



MERIT LILIN ENT. CO., LTD

<http://www.meritlilin.com>

66-303CSE