





**DUAL VOLTAGE COLOR DOME CAMERA  
PIH-2026/2046**

**DUAL VOLTAGE COLOR VARI-FOCAL CAMERA  
PIH-2126X/2146X**

**INSTRUCTION MANUAL**

## IMPORTANT SAFEGUARDS

	<p><b>CAUTION</b></p> <p><b>RISK OF ELECTRIC SHOCK DO NOT OPEN</b></p>	
<p><b>CAUTION :</b> TO REDUCE THE RISK OF ELECTRIC SHOCK, DO NOT REMOVE COVER (OR BACK) NO USER SERVICEABLE PARTS INSIDE. REFER SERVICING TO QUALIFIED SERVICE PERSONNEL.</p>		

## GRAPHIC SYMBOL EXPLANATION

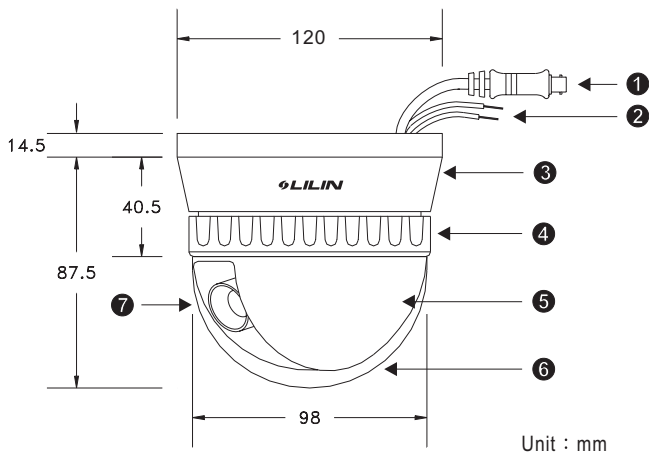
The lightning flash with arrowhead symbol, within an equilateral triangle, is intended to alert the user to the presence of uninsulated "dangerous voltage" within the product's enclosure that may be of sufficient magnitude to constitute a risk of electric shock to persons.



The exclamation point within an equilateral triangle is intended to alert the user to the presence of important operating and maintenance (servicing) instructions in the literature accompanying the unit.



## ● PART DESCRIPTION & DIMENSION



- ① VIDEO OUTPUT JACK
- ② DC12V (NON-POLARITY INPUT) OR AC24V POWER INPUT
- ③ BASE
- ④ FIX RING
- ⑤ INSIDE COVER
- ⑥ DOME COVER
- ⑦ LENS

## ● INSTALLATION

1. Put the provided screws (M3.0 x 25, wooden screw) through the holes marked as "a", and fix the base in the desired area (FIG.1).
2. The direction of the lens is adjustable through the adjustable Pan/Tilt brackets and rotatable camera case. The lens can be adjusted easily by hand without using screw driver. Please refer to FIG.2 (PIH-2026/2046) and FIG.3 (PIH-2126X/2146X).
3. An extra RCA jack for easy installation. Plug the video input of monitor to the RCA jack and adjust focus and zoom. After finished, unplug the RCA jack. Please refer to FIG.4.
4. Adjust DC iris level by turning the iris level VR.  
Please refer to FIG.3.  
**ATTENTION: Adjust this VR with care so as not to cause damage to the unit.**
5. Put on the inside cover first, and followed by put on the dome cover. Then tighten the fix ring(FIG.5).

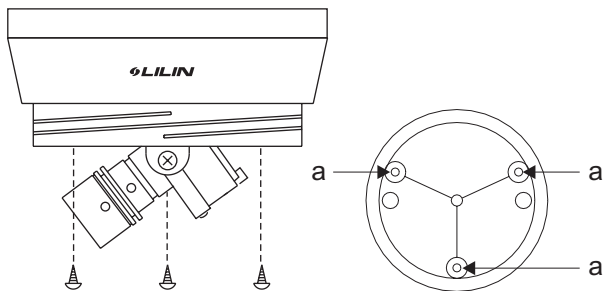


FIG. 1

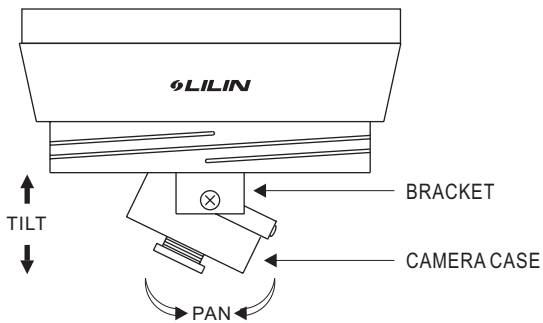


FIG. 2 (PIH-2026/2046)

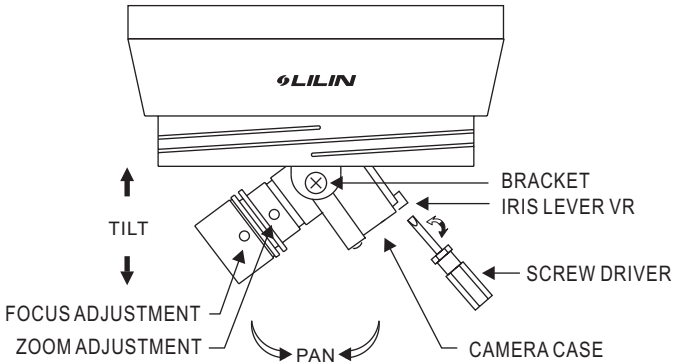


FIG. 3 (PIH-2126X/2146X)

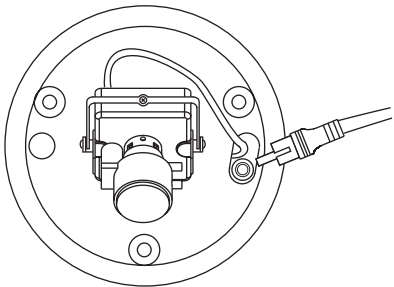


FIG. 4

NOTE : Point each "b" to each "c".

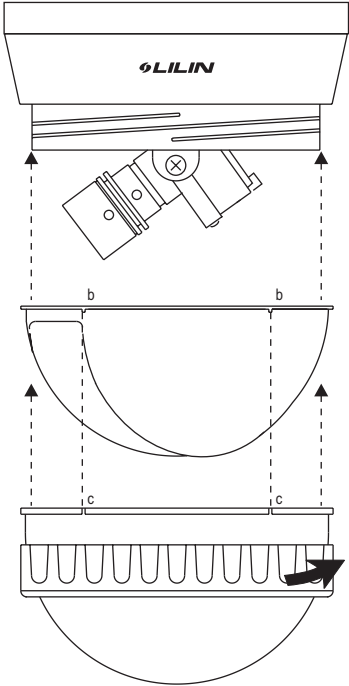


FIG. 5

## ● SPECIFICATIONS

DUAL VOLTAGE COLOR DOME CAMERA						
Model No.		PIH-2026□3.6	PIH-2026□6	PIH-2046□3.6	PIH-2046□6	
Lens	Focal Length	3.6mm	6.0mm	3.6mm	6.0mm	
	Iris	F2.0	F1.8	F2.0	F1.8	
	Angle of view	H	73°	44.5°	73°	44.5°
		V	54.5°	33.1°	54.5°	33.1°
D		92°	56°	92°	56°	
Power Input Voltage		DC12V (±10%) or AC24V (±10%)				
System		NTSC or PAL				
Sync. Mode		Internal				
Pick Up Element		1/3" Super HAD CCD Sensor				
Effective Pixels		510(H) x 492(V) [NTSC] 500(H) x 582(V) [PAL]		768(H) x 494(V) [NTSC] 752(H) x 582(V) [PAL]		
Chip Size		5.59mm (H) x 4.68mm (V)				
Horizontal & Vertical Sync. Frequency		15.734KHz / 59.94Hz [NTSC] 15.625KHz / 50Hz [PAL]				
Scanning System		2 : 1 Interlace				
Resolution		380TV Lines		480TV Lines		
Minimum Illumination		0.2Lux (F1.8)		0.5Lux (F1.8)		
S/N Ratio		More Than 50dB (AGC OFF)				
Auto Gain Control		36dB Variable Gain				
White Balance		ATW				
Aperture Correction		Horizontal , Vertical				
Power Consumption		2.5W (DC12V) , 2.0W (AC24V)				
Shutter		1/60(1/50)S ~ 1/100,000S(Auto)				
Back Light Compensation		Auto				
Video Output		CVBS 1.0Vp-p , 75ohm				
Operating Temperature		-10°C ~ +50°C (14°F ~ 122°F)				
Gamma Characteristic		$\gamma = 0.45$				
Dimension		Dome: $\phi$ 98 , Base & Fix Ring: $\phi$ 112 x 55mm				
Weight		300g				

Option lens : 8.0mm lens.

Design and specifications are subject to change without notice.



## DUAL VOLTAGE COLOR VARI-FOCAL DOME CAMERA

Model No.		PIH-2126X N/P	PIH-2146X N/P
Lens	Focal Length		3 ~ 9mm
	Iris		F1.4
	Angle of view	H	90.2° ~ 31.8°
		V	66.3° ~ 23.9°
D		115.3° ~ 39.7°	
Power Input Voltage		DC12V (±10%) or AC24V (±10%)	
System		NTSC or PAL	
Sync. Mode		Internal	
Pick Up Element		1/3" Super HAD CCD Sensor	
Effective Pixels		510(H) x 492(V) [NTSC] 500(H) x 582(V) [PAL]	768(H) x 494(V) [NTSC] 752(H) x 582(V) [PAL]
Chip Size		5.59mm (H) x 4.68mm (V)	
Horizontal & Vertical Sync. Frequency		15.734KHz / 59.94Hz [NTSC] 15.625KHz / 50Hz [PAL]	
Scanning System		2 : 1 Interlace	
Resolution		380TV Lines	480TV Lines
Minimum Illumination		0.1Lux (F1.4)	0.18Lux (F1.4)
S/N Ratio		More Than 50dB (AGC OFF)	
Auto Gain Control		36dB Variable Gain	
White Balance		ATW	
Aperture Correction		Horizontal , Vertical	
Power Consumption		3.0W (DC12V) , 2.5W (AC24V)	
Back Light Compensation		Auto	
Video Output		CVBS 1.0Vp-p , 75ohm	
Operating Temperature		-10°C ~ +50°C (14°F ~ 122°F)	
Gamma Characteristic		$\gamma = 0.45$	
Dimension		Dome: $\phi$ 98 , Base & Fix Ring: $\phi$ 112 x 55mm	
Weight		300g	

Design and specifications are subject to change without notice.



MERIT LILIN ENT. CO., LTD  
<http://www.meritlilin.com>

66-202CSE