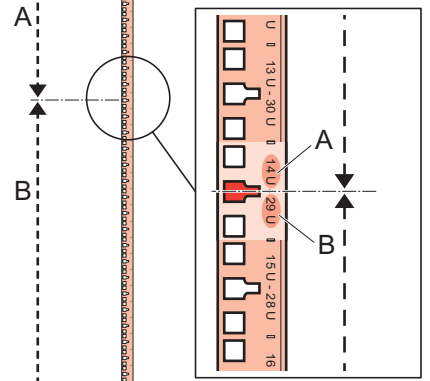
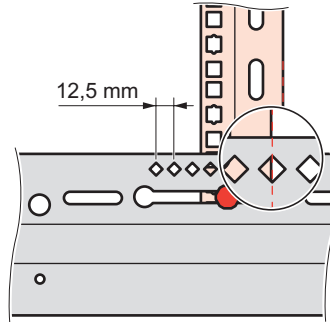
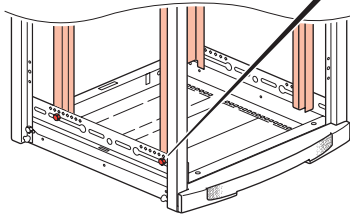
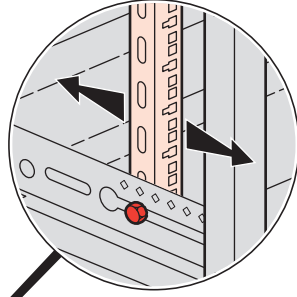
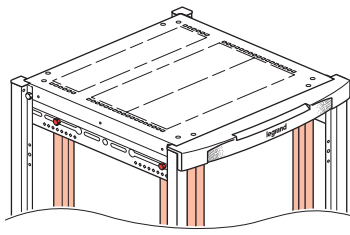
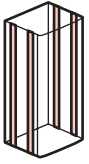
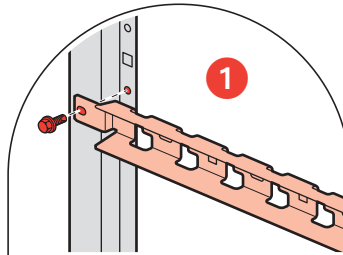
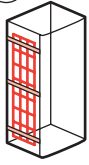


F



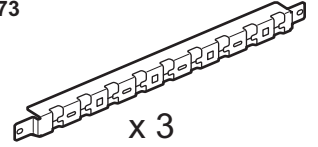
G



0 464 72/73/74
4 466 72/73



x 6

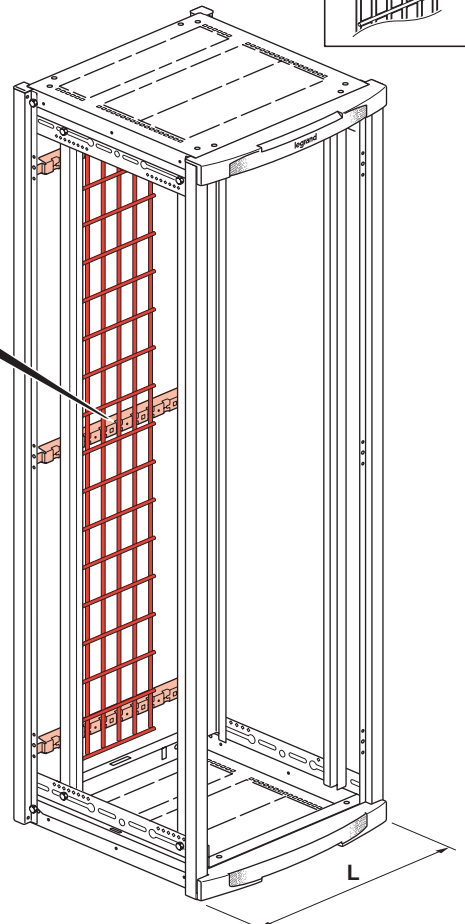
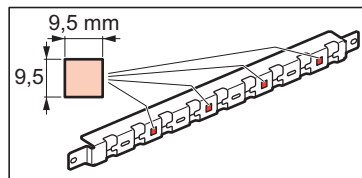
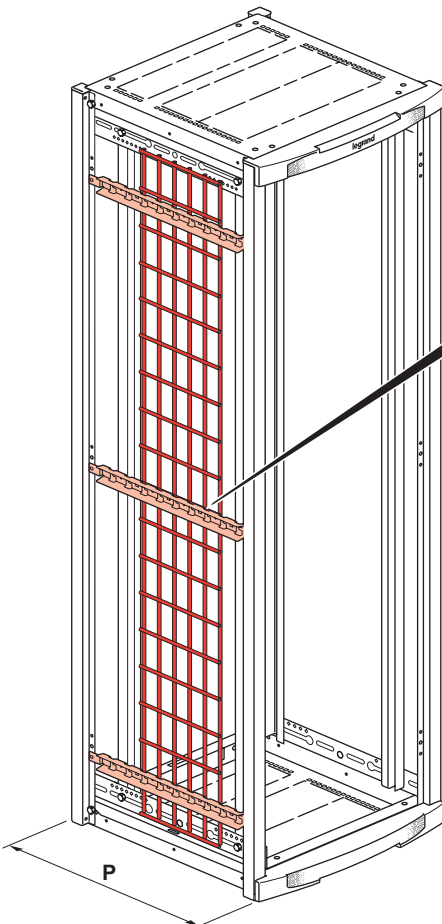
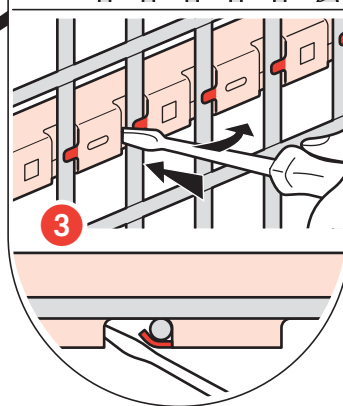


x 3

L/P = 600 - 0 464 72 / 4 466 72
L/P = 800 - 0 464 73 / 4 466 73
P = 1000 - 0 464 74

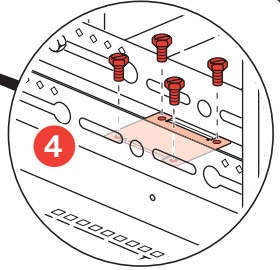
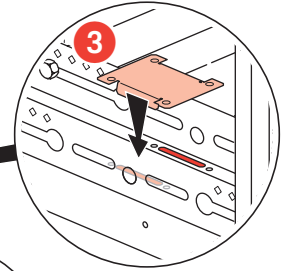
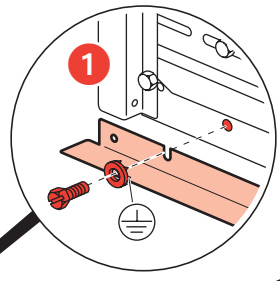
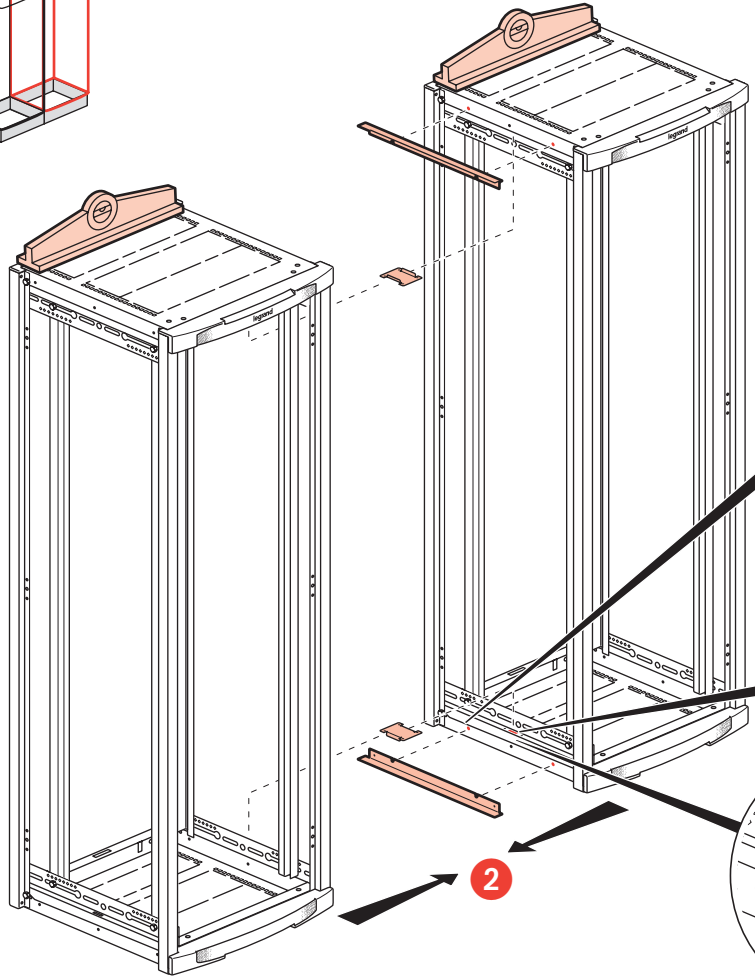
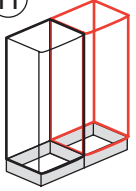
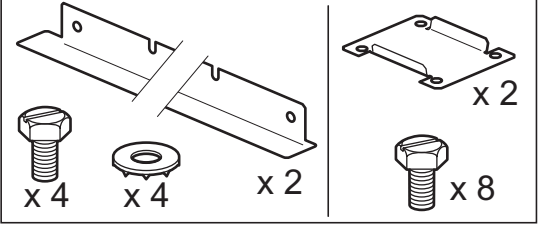


0 464 76/77
4 466 77

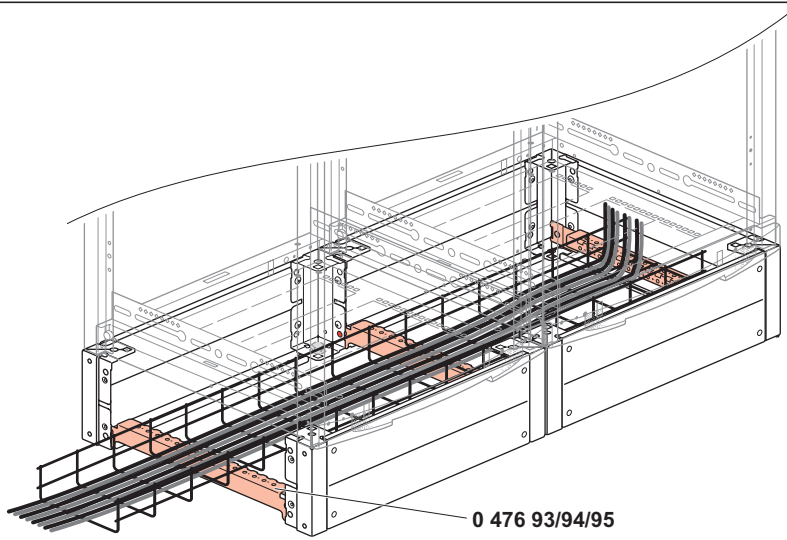
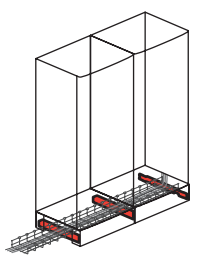
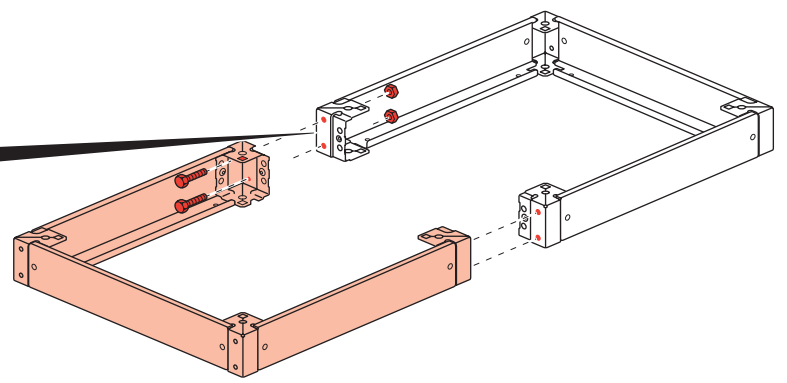
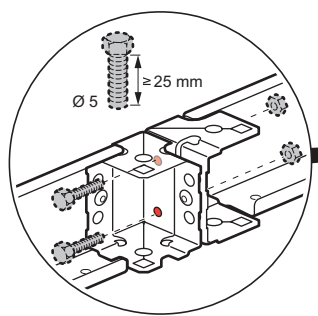
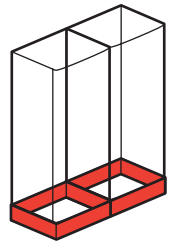


H

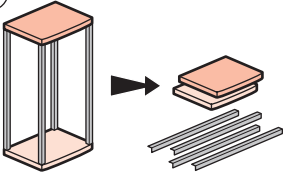
0 463 37/38/39
4 465 37/38



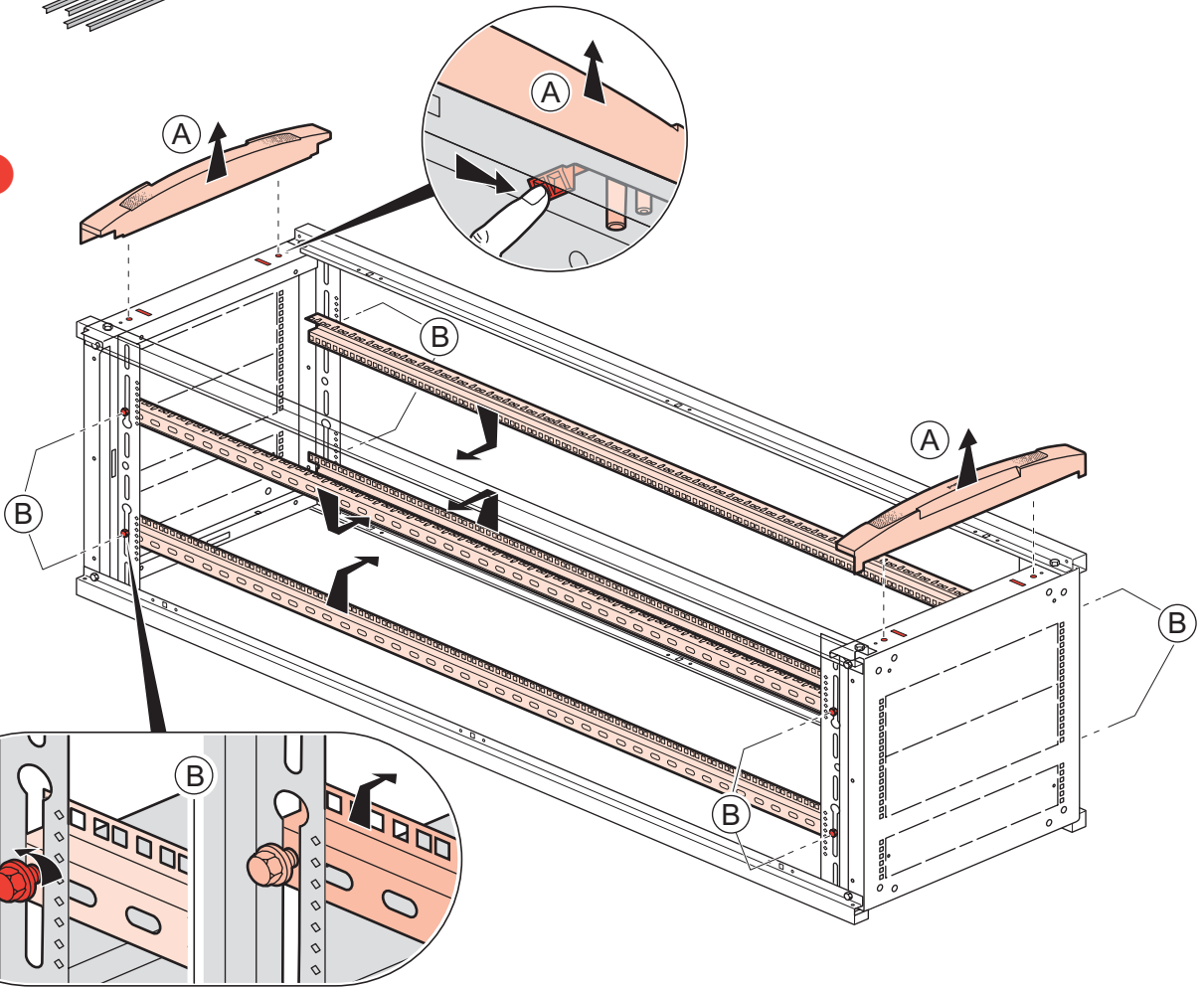
2



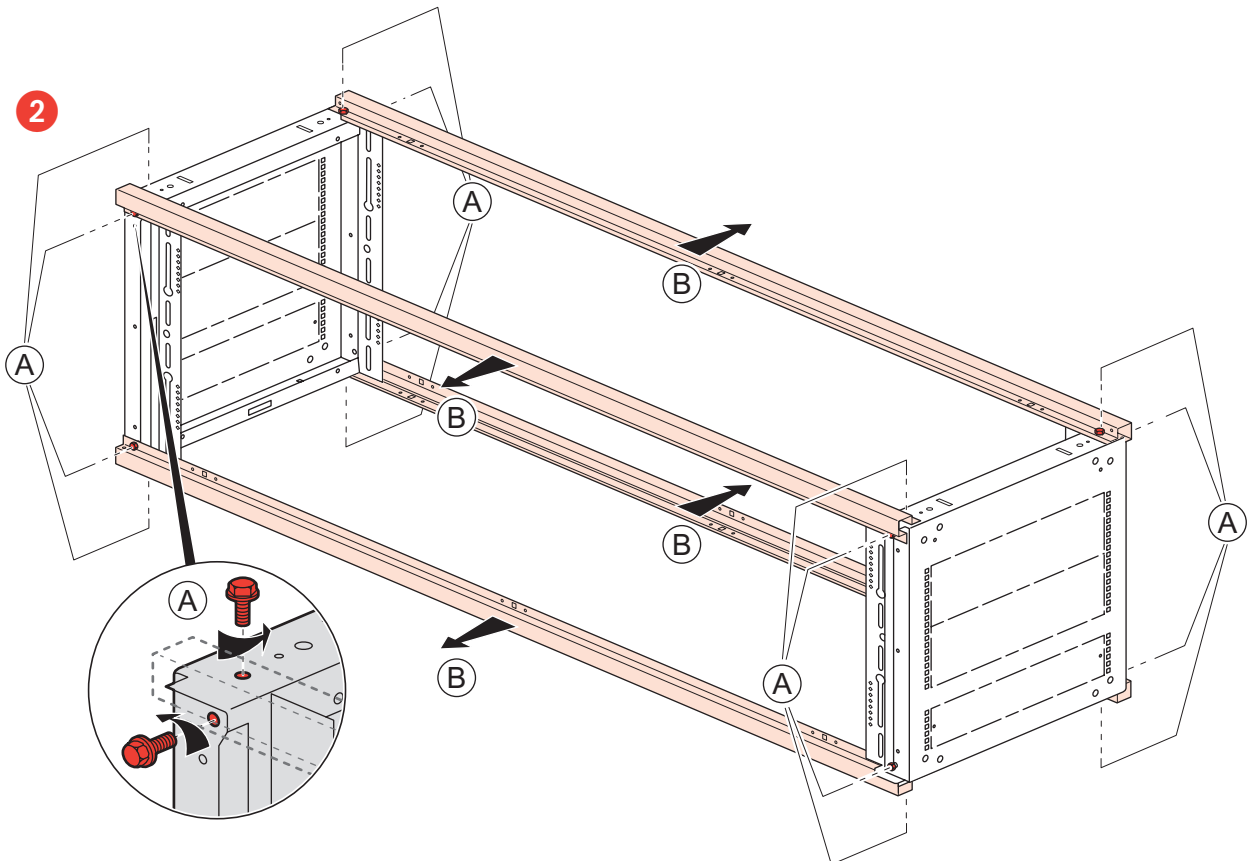
I



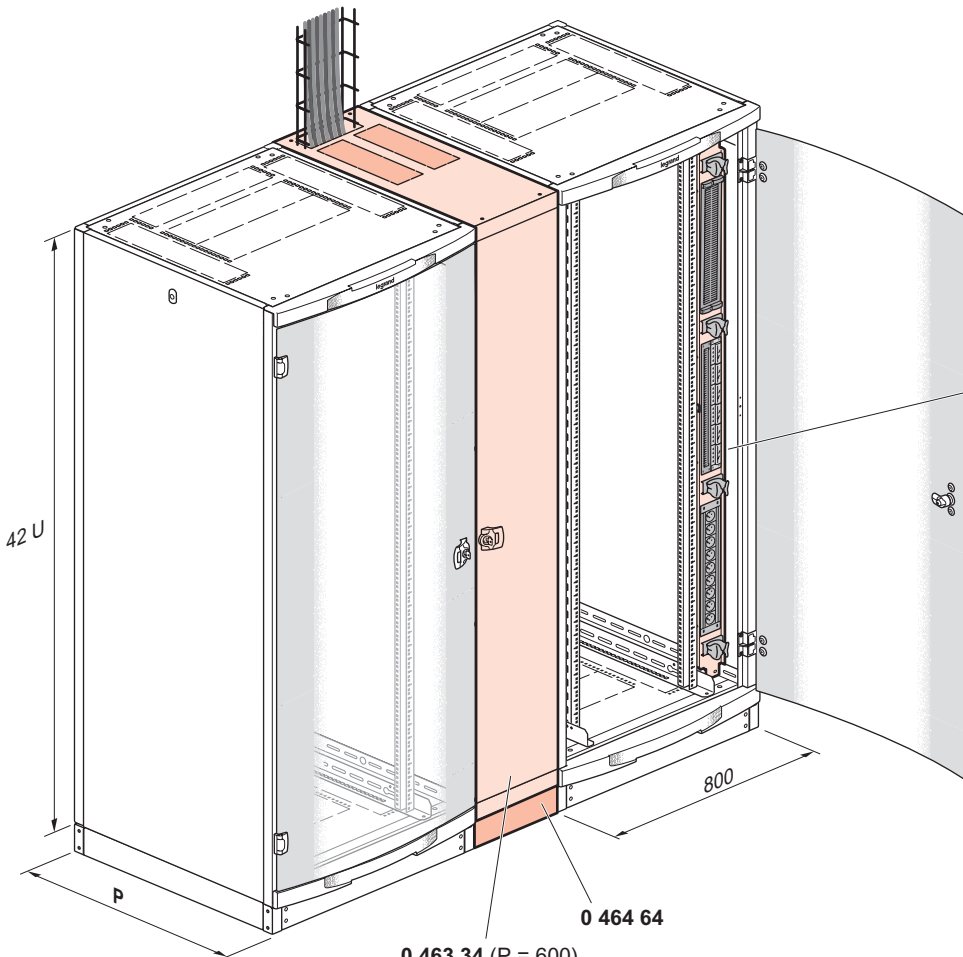
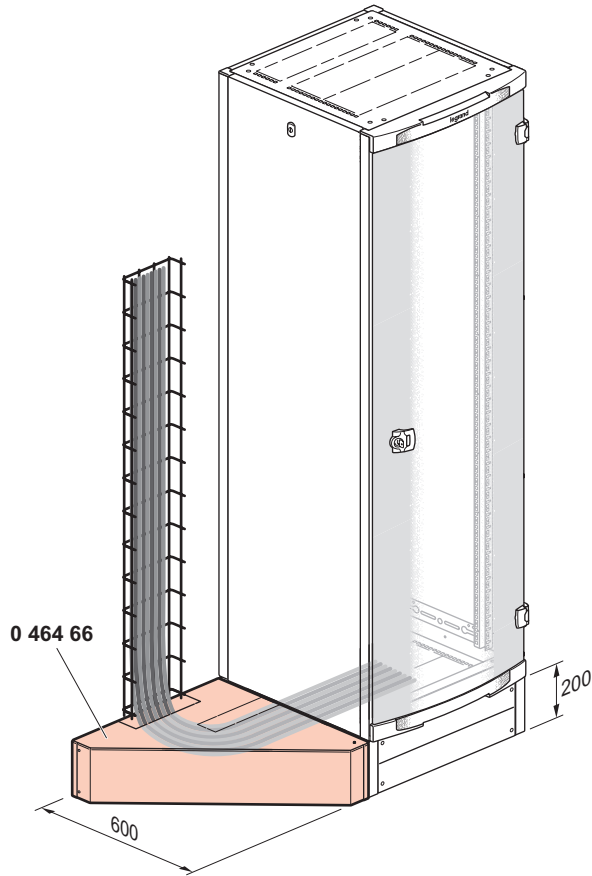
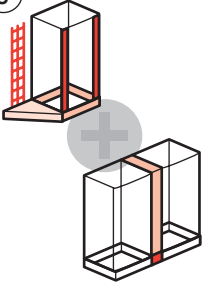
1



2



J



0 463 34 (P = 600)
0 463 35 (P = 800)

0 464 64

