

**EN - Instructions and warnings for
installation and use**

**IT - Istruzioni ed avvertenze per
l'installazione e l'uso**

**FR - Instructions et avertissements
pour l'installation et l'utilisation**

**ES - Instrucciones y advertencias
para la instalación y el uso**

**DE - Installierungs-und Gebrauchsan-
leitungen und Hinweise**

**PL - Instrukcje i ostrzeżenia do
instalacji i użytkowania**

**NL - Aanwijzingen en aanbevelingen
voor installatie en gebruik**

Nice

TT6

CE

Control unit for tubular motors
RS232 interface



1 – WARNINGS

- **Caution!** It is important to observe these instructions to guarantee the safety of persons.
- **Caution!** Important safety instructions: store these instructions in a safe place.
- **Caution!** All product installation, operation, connection, programming and maintenance operations must be performed exclusively by a qualified and skilled technician!
- **Do not effect modifications to any part of the product other than those specified in this manual. Unauthorised operations can lead to hazards and cause malfunctions.** The manufacturer declines all liability for damages caused by makeshift modifications to the product.
- **Important!** - Do not use substances containing alcohol, benzene, diluents or other flammable substances. Use of such substances could damage the product.
- Store this manual with care in a safe place to facilitate any future product maintenance and programming operations.
- The product packaging material must be disposed of in full observance of current local regulations governing waste disposal.
- Use a soft and slightly damp (**not wet!**) cloth for cleaning the product's surfaces.

2 – PRODUCT DESCRIPTION AND INTENDED USE

The TT6 control unit is designed for use in automation systems applied to awnings, shutters, skylights, vertical curtains, blinds and for controlling video projection screens.

Any other use is to be considered improper and is strictly prohibited! The manufacturer declines all liability for damage resulting from improper use of the product and other than as specified in this manual.

The product comprises the following:

- Output for controlling a wire technology motors (for example, One-Max, To-max or NeoM); the output can be activated directly through the two buttons: **Pup** (▲) and **Pdown** (▼);
- TTBUS interface for controlling Nice motors with bus system.
- RS232 interface for connection to PC.
- Activation input (Trigger) for activating or deactivating a sequence of motors (near the up or down trigger).

The radio interface expands the product's remote control range through the Nice radio technology.

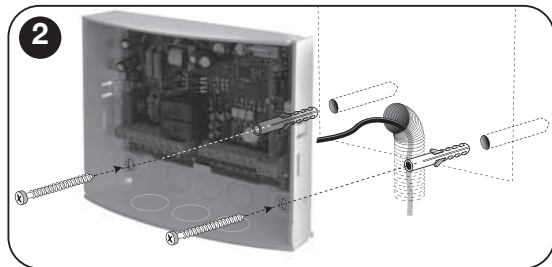
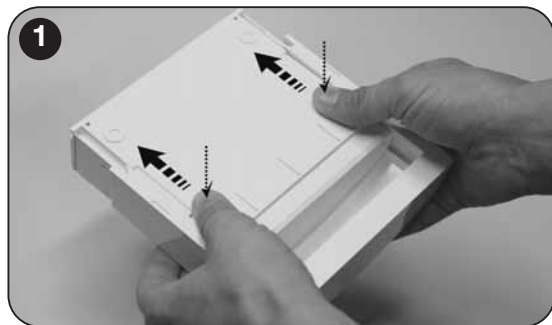
3 – INSTALLATION

01. Remove the top cover of the control unit (**Fig. 1**).
02. In the zones marked accordingly, drill the holes for routing the cables and for fixing the control unit to the wall. **Caution! – Take suitable precautions to guarantee the IP protection rating required for the type of installation. In particular, apply cable clamps (not supplied) to protect the power**

cables and control cables against possible traction or torsion.

03. Fix the control unit housing to the wall (Fig. 2).

Caution! – The receiver must be positioned so that the cables enter the housing exclusively from the bottom.



4 – ELECTRICAL CONNECTIONS

Warnings

- When connecting the aerial provided, leave the wire at the supplied length and lay it straight so as to avoid excessive bending.
- If the control unit is not in an optimal position and the radio signal is weak, improve reception by replacing the aerial supplied with an external version (model ABF or ABFKIT). The new aerial must be positioned as high as possible and above any metal or reinforced concrete structures present in the area.

4.1 – Inputs (Fig. 3 and Table 1)

- **L** Electrical phase
- **N** Neutral
- **TTBUS:** (TTBUS, GND)
- **RS232** with dedicated protocol
- **5-24 VDC trigger** with programmable On and Off events
 - 30+30 programmable events
 - Event: address, command
- **Two inputs** for open-close commands for 85-265 VAC 50/60 Hz mechanical motor
 - Open-STOP, Close-STOP operation
 - “ON-PRESS” activation

4.2 – Outputs

- Power relay output for controlling a mechanical/electronic motor with programmable manoeuvres (up and down), activated through two button inputs Pup (▲) and Pdown (▼) of the 12 V Trigger or via Transmitter.

- The activation timer can be adjusted to between 1 sec. and 240 sec. through the serial port with an internal command.
- The default address of the motor connected to the control unit is 1.

Refer to **Table 2** to check the LEDs present.

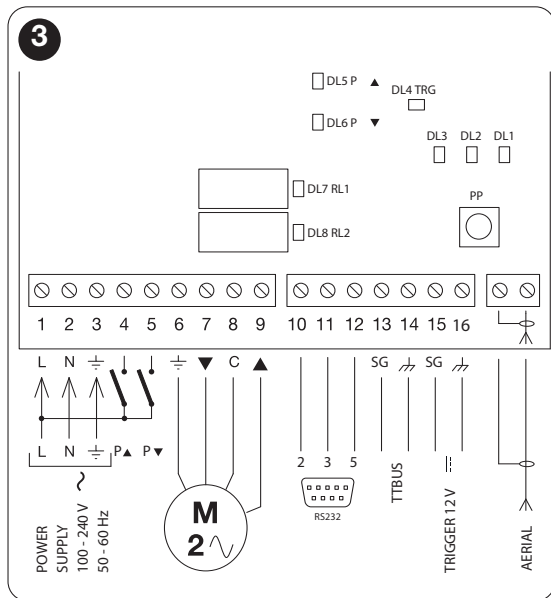


TABLE 1

Wiring diagram

1	Electrical phase
2	Neutral
3	Ground
4	Up button linked to the connectable mechanical motor
5	Down button linked to the connectable mechanical motor
6	Mechanical motor ground
7	Mechanical motor down phase
8	Mechanical motor common contact
9	Mechanical motor up phase
10	TX signal of the RS232 interface
11	RX signal of the RS232 interface
12	Common contact (GND) of the RS 232 serial signal
13	Signal of the motor with TTBUS (White wire)
14	Common contact of the motor with TTBUS (White/Black wire)
15	External activation trigger signal (positive pole input)
16	External activation trigger common contact (negative pole input)
ANT	Aerial input

TABLE 2 - Signalling LEDs

Led		Description
DL1	Red LED	Power supply indicator.
DL2	Yellow LED	If on, transmitter memorisation is active.
DL3	Green LED	Signals.
DL4		12 V signal trigger indicator.
DL5, DL6	Red LED	External buttons open-close indicator for mechanical motor.
DL7, DL8	Red LED	Open-close relays activation.

5 – PROGRAMMING

The control unit can memorise transmitters in two modes, namely **Mode I** and **Mode II**:

Mode I

- Button **1** controls the Opening for the pre-set manoeuvre duration (Tm) (maximum 240 sec.).
- Button **2** controls the Stop.
- Button **3** controls the Closing for the pre-set manoeuvre duration (Tm) (maximum 240 sec.).
- Button **4** controls the Stop, once again.

Mode II

The transmitter button can be linked to one of the following functions:

- 1 - Step-by-step
- 2 - Open

- 3 - Close
- 4 - Stop
- 5 - Close after 10 sec.
- 6 - Open after 10 sec.
- 7 - Close after 20 sec.
- 8 - Open after 20 sec.
- 9 - Hold-to-run close
- 10 - Hold-to-run open
- 11 - Activate the list of programmed command linked to the 12v trigger Up scenario
- 12 - Activate the list of programmed command linked to the 12v trigger DOWN scenario
- 13 - Forward radio transmission on RS232 serial

5.1 – Memorising a transmitter in “Mode I”

01. Press and hold **P1** on the control unit until the green LED **DL1** lights up (after approx. 4 seconds) then release; the yellow LED **DL2** will also turn on.
02. Within 10 seconds, press and hold any key of the transmitter to be memorised, until the green LED **DL1** on the control unit emits the first of 3 flashes to confirm memorisation. Following these flashes, to memorise another transmitter in “**Mode I**”, press any key on the new transmitter within 10 seconds. Lastly, wait until yellow LED **DL2** turns off.

Caution! – When attempting to memorise a transmitter that is already stored, the green LED **DL1** will signal this by flashing once.

5.2 – Memorising a transmitter in “Mode II”

01. From the “**Mode II**” list, select the function to be programmed (e.g. “Function 8”).

02. On the receiver, press **P1** the same number of times as the number identifying the selected function (in our example, 8 times). On completion, the green LED **DL1** emits a number of short flashes corresponding to the number of times the key was pressed (in our example, 8 short flashes);
03. Within 10 seconds, press and hold the transmitter key to be memorised, until the green LED **DL1** on the receiver emits the first of 3 flashes to confirm memorisation. After these flashes, to store a new key (even on another transmitter) with the same function, press this new key within 10 seconds (yellow LED **DL2** on).
04. When attempting to memorise a transmitter that is already stored, the green LED DL1 will signal this by flashing once.

5.3 – Deleting all memorised transmitters

01. Press and hold **P1** for long on the control unit and check the sequence of statuses of the green LED **DL1**.
02. After approximately 4 seconds, it turns on...
03. After approximately 4 seconds, it turns off...
04. After approximately 4 seconds, it starts flashing...
At this stage:
05. To delete all memorised transmitters, release the receiver key on precisely the third flash of the green LED DL1.
06. To delete the entire memory (including transmitter configurations and encoding family), release the key on precisely the fifth flash of the green LED DL1.
07. To delete a single transmitter, release the key on precisely the seventh flash then press a key (*) on the trans-

mitter to be deleted from the memory within ten seconds (yellow LED DL2 on); the green LED DL1 will emit 5 rapid flashes upon deletion.

08. Repeat the operation within ten seconds (yellow LED **DL2** on) to delete another transmitter.

(*) **Note** – If the transmitter is memorised in “**Mode I**”, press any key; if the transmitter is memorised in “**Mode II**”, press the memorised key; if multiple keys are memorised, repeat the procedure for each memorised key.

5.4 – Communication protocol

CMD [XX] [YY] [AA] [Optional data field] [Carriage Return]

Note – The fields are one space apart.

[CMD]	This is a 3-character field. Conventionally, commands sent to the T4/TTBUS bus will always be in “CMD” form.
[XX] [YY]	These are 2-character fields indicating the device Address and Node, respectively. These two fields are mandatory and must be entered in hexadecimal form.
[AA]	Field indicating the command to be sent. It is 2-characters long and is mandatory. It represents the ID of the command to be sent according to the previously-listed commands list (for example: 04 open; 05 close; etc.).
[Data field]	Variable-length optional field. Its size depends on the type of command

sent to the device: some commands do not require data (for example, the Open command), while others do (for example, the Open percentage command).

[Carriage Return] Decimal code 13, hexadecimal code 0D; it must always be present and each string sent must end with this character.

For each command sent, the interface must provide a response that simply indicates the command reception (this, however, does not imply that the command has been executed by the automation). It is a notification that will currently have a very simple construction, such as the following:

RSP [XX] [YY] [ZZ] [Optional data field] [Carriage Return]

5.5 – Commands list

CMD	Description
45	READ PERCENTAGE POSITION 0 - 255 Low limit switch 255 = High limit switch
04	Down
40	OPEN percentage command percentage 0 - 255 0 = Low limit switch 255 = High limit switch
50	Read memorised transmitters
51	Memorise transmitter

60	Delete transmitter
65	Delete all memorised transmitters
66	Delete motor parameters
20	Memorise the motor upper limit switch in current position
21	Memorise the motor lower limit switch in current position
22	Memorise partial position 1 in current position
23	Memorise partial position 2 in current position
24	Memorise partial position 3 in current position
25	Memorise partial position 4 in current position
26	Memorise partial position 5 in current position
27	Memorise partial position 6 in current position
30	Delete upper limit switch setting
31	Delete lower limit switch setting
32	Delete partial position 1
33	Delete partial position 2
34	Delete partial position 3
35	Delete partial position 4
36	Delete partial position 5
37	Delete partial position 6
05	Up
12	Move a little step up
03	STOP

13	Move a little step down
06	Move to partial position 1
07	Move to partial position 2
08	Move to partial position 3
09	Move to partial position 4
10	Move to partial position 5
11	Move to partial position 6

Note – The available commands must also be available for the motor.

5.5.1 – *Move to partial position 1, 2, 3, 4, 5, 6 command*

Moves the motor to the set position after the partial position has been assigned.

Structure

Start	TT ADR [XX]	TT ENDPOINT [YY]	Command [AA]	Data	CR
CMD	IND	04	06	-	-

The data field is empty.

Example

Start	TT ADR [XX]	TT ENDPOINT [YY]	Command [AA]	Data	CR
CMD	01	04	06	-	-

Response

Start	TT ADR [XX]	TT ENDPOINT [YY]	Command [AA]	Data	CR
RISP	01	04	06	-	-

5.5.2 – *STOP command*

Stops the motor.

Structure

Start	TT ADR [XX]	TT ENDPOINT [YY]	Command [AA]	Data	CR
CMD	IND	04	03	-	-

The data field is empty.

Example

Start	TT ADR [XX]	TT ENDPOINT [YY]	Command [AA]	Data	CR
CMD	01	04	06	-	-

Response

Start	TT ADR [XX]	TT ENDPOINT [YY]	Command [AA]	Data	CR
RISP	01	04	06	-	-

5.5.3 – UP command

Commands the motor's "up" movement until the set limit switch.

Structure

Start	TT ADR [XX]	TT ENDPOINT [YY]	Command [AA]	Data	CR
CMD	IND	04	05	-	-

The data field is empty.

Example

Start	TT ADR [XX]	TT ENDPOINT [YY]	Command [AA]	Data	CR
CMD	01	04	05	-	-

Response

Start	TT ADR [XX]	TT ENDPOINT [YY]	Command [AA]	Data	CR
RISP	01	04	05	-	-

5.5.4 – DOWN command

Commands the motor's "down" movement until the set limit switch.

Structure

Start	TT ADR [XX]	TT ENDPOINT [YY]	Command [AA]	Data	CR
CMD	IND	04	04	-	-

The data field is empty.

Example

Start	TT ADR [XX]	TT ENDPOINT [YY]	Command [AA]	Data	CR
CMD	01	04	04	-	-

Response

Start	TT ADR [XX]	TT ENDPOINT [YY]	Command [AA]	Data	CR
RISP	01	04	04	-	-

5.5.5 – Move a little step down

Sends a "down" command that it make the smallest movement that the motor can do. Use to set the right position before setting the limits switch or the partial positions.

Caution: the up and down directions are correctly assigned after setting the relevant limit switches.

Structure

Start	TT ADR [XX]	TT ENDPOINT [YY]	Command [AA]	Data	CR
CMD	IND	04	13	-	-

The data field is empty.

Example

Start	TT ADR [XX]	TT ENDPOINT [YY]	Command [AA]	Data	CR
CMD	01	04	13	-	-

Response

Start	TT ADR [XX]	TT ENDPOINT [YY]	Command [AA]	Data	CR
RISP	01	04	13	-	-

5.5.6 – Move a little step up

Sends an “up” command that it make the smallest movement that the motor can do. Use to set the right position before setting the limits switch or the partial positions.

Caution: the up and down directions are correctly assigned after setting the relevant limit switches.

Structure

Start	TT ADR [XX]	TT ENDPOINT [YY]	Command [AA]	Data	CR
CMD	IND	04	12	-	-

The data field is empty.

Example

Start	TT ADR [XX]	TT ENDPOINT [YY]	Command [AA]	Data	CR
CMD	01	04	12	-	-

Response

Start	TT ADR [XX]	TT ENDPOINT [YY]	Command [AA]	Data	CR
RISP	01	04	12	-	-

5.5.7 – Memorise partial position 1, 2, 3, 4, 5, 6 and limit switch 0 and 1 positions

Assigns the current position to a variable position.

Structure

Start	TT ADR [XX]	TT ENDPOINT [YY]	Command [AA]	Data	CR
CMD	IND	04	-	-	-

The data field is empty.

Example

Start	TT ADR [XX]	TT ENDPOINT [YY]	Command [AA]	Data	CR
CMD	01	04	20	-	-

Response

Start	TT ADR [XX]	TT ENDPOINT [YY]	Command [AA]	Data	CR
RISP	01	04	20	-	-

5.5.8 – Delete partial position 1, 2, 3, 4, 5, 6 and limit switch 0 and 1 positions

Deletes the entered position.

Structure

Start	TT ADR [XX]	TT ENDPOINT [YY]	Command [AA]	Data	CR
CMD	IND	04	-	-	-

The data field is empty.

Example

Start	TT ADR [XX]	TT ENDPOINT [YY]	Command [AA]	Data	CR
CMD	01	04	30	-	-

Response

Start	TT ADR [XX]	TT ENDPOINT [YY]	Command [AA]	Data	CR
RISP	01	04	30	-	-

5.5.9 – Read percentage position 0 - 255; 0 = Low limit switch, 255 = High limit switch

Reads the current position of the motor in percentage terms. The PP data field is the percentage position.

Structure

Start	TT ADR [XX]	TT ENDPOINT [YY]	Command [AA]	Data	CR
CMD	IND	04	45	-	-

The data field is empty.

Example

Start	TT ADR [XX]	TT ENDPOINT [YY]	Command [AA]	Data	CR
CMD	01	04	45	-	-

Response

Start	TT ADR [XX]	TT ENDPOINT [YY]	Command [AA]	Data	CR
RISP	01	04	45	128	-

5.5.10 – Move to percentage position 0 - 255; 0 = Low limit switch, 255 = High limit switch

Moves the motor to position X. The PP data field is the percentage position.

Structure

Start	TT ADR [XX]	TT ENDPOINT [YY]	Command [AA]	Data	CR
CMD	IND	04	40	PP	-

The data field is empty.

Example

Start	TT ADR [XX]	TT ENDPOINT [YY]	Command [AA]	Data	CR
CMD	01	04	40	25	-

Response

Start	TT ADR [XX]	TT ENDPOINT [YY]	Command [AA]	Data	CR
RISP	01	04	40	25	-

5.5.11 – Delete all memorised transmitters command

Deletes all the transmitters from the motor.

Structure

Start	TT ADR [XX]	TT ENDPOINT [YY]	Command [AA]	Data	CR
CMD	IND	04	65	-	-

The data field is empty.

Example

Start	TT ADR [XX]	TT ENDPOINT [YY]	Command [AA]	Data	CR
CMD	01	04	65	-	-

Response

Start	TT ADR [XX]	TT ENDPOINT [YY]	Command [AA]	Data	CR
RISP	01	04	65	-	-

5.5.12 – Delete motor parameters command

Deletes all the limit switch data from the motor.

Structure

Start	TT ADR [XX]	TT ENDPOINT [YY]	Command [AA]	Data	CR
CMD	IND	04	66	-	-

The data field is empty.

Example

Start	TT ADR [XX]	TT ENDPOINT [YY]	Command [AA]	Data	CR
CMD	01	04	66	-	-

Response

Start	TT ADR [XX]	TT ENDPOINT [YY]	Command [AA]	Data	CR
RISP	01	04	66	-	-

5.6 – Commands for memorising and viewing lists

Two commands lists (max. 30 commands) can be stored. The commands are then executed sequentially in the event of a transition of the 12 V input trigger, or when the up or down trigger event is set from the transmitter. The serial port command to store commands that will be executed when the signal moves from low to high is:

MEM_ON [XX] [YY] [XX1] [YY1] [...] [...] [Carriage Return]

Note – The fields are one space apart and the string ends with Carriage Return.

Important! - Address 1 is used for sending commands to the mechanical motor.

The fields are:

MEM_ON It is the string that stores the commands in the first list.

[XX] Address of the device to which the command must be sent, it is mandatorily composed of two digits in hexadecimal form.

[YY] Command to be sent to the device, it is mandatorily composed of two digits based on the above-mentioned commands table.

The subsequent couples **[XX]** and **[YY]** represent the other N commands that can be sent to the motors (max. 30 commands).

For example, for sending the “up” command to device 2, the “close” command to device 3 and the step-by-step up command to device 5, the relevant command will be:

```
MEM_ON 02 05 03 04 05 12 [Carriage Return]
```

The response will be of the following type:

```
MEM_ON 02 05 03 04 05 12
LIST TRIGGER ON:
CMD 1--> addr: 2, cmd: 5
CMD 2--> addr: 3, cmd: 4
CMD 3--> addr: 5, cmd: 12
```

The list that manages the event of the down run of the trigger operates in a similar way, except for the command which in this case is:

```
MEM_OFF [XX] [YY] [XX1] [YY1] [...] [...] [Carriage Return]
```

Using the previous example, we obtain:

```
MEM_OFF 02 05 03 04 05 12 [Carriage Return]
```

The response will be of the following type:

```
MEM_OFF 02 05 03 04 05 12
LIST TRIGGER OFF:
CMD 1--> addr: 2, cmd: 5
CMD 2--> addr: 3, cmd: 4
CMD 3--> addr: 5, cmd: 12
```

5.7 – Viewing the commands lists

It is possible to view the two stored lists on the video screen. It is sufficient to enter the **LIST** command followed by “enter” to obtain the complete content of the two lists. The command is:

```
LIST [Carriage Return]
```

For example, by typing “List” after having entered the two previous commands, we obtain:

```
LIST
LIST TRIGGER ON:
CMD 1--> addr: 2, cmd: 5
CMD 2--> addr: 3, cmd: 4
CMD 3--> addr: 5, cmd: 12
LIST TRIGGER OFF:
CMD 1--> addr: 2, cmd: 5
```

CMD 2--> addr: 3, cmd: 4
CMD 3--> addr: 5, cmd: 12

5.8 – Command for setting the duration of the mechanical motor movements

The duration of the mechanical motor movements can be set. The relevant command is:

SET_TIME [XXX] [Carriage Return]

The fields are one space apart and the string ends with Carriage Return.

The fields are:

SET_TIME Command for setting the duration.

[XXX] Value in seconds (max. 240 sec.).

The default value at initial start-up is 10 seconds and any modification of this value is stored in the memory.

At the next re-start, the last value stored will be used.

5.9 – Changing a device's address

The address of a motor can be set using the following command:

ADR [XX] [YY] [Carriage Return]

The fields are one space apart and the string ends with Carriage Return.

The fields are:

[XX] Current address of the motor; the address must mandatorily contain two digits and must be in hexadecimal form.

[YY] New address of the motor; the address must mandatorily contain two digits and must be in hexadecimal form.

For example, for modifying the motor address from 03 to 07, use the following command.

ADR 03 07 [Carriage Return]

5.10 – Viewing information on memorised transmitters

Information on memorised transmitters can be viewed using the following command:

TLC_STATUS [Carriage Return]

The information regards the number of memorised transmitters and their operating mode.

The typical response will be:

tlc_status

Number of remote control in mem: 3

Number of free position in mem: 29

TLC 1 : Mode 2 - Function number 1 - Key UP

TLC 2 : Mode 1

TLC 3 : Mode 2 - Function number 2 - Key DOWN

5.11 – Commands which can be activated through domotic interfaces

In the unit, the command activates the bidirectional transmission of information, the display of radio codes on the serial and the transmission of the position of the automation mechanism during the movement.

Type:

WEB_ON [Carriage Return]

In this way the display of the radio codes via the serial, if saved in the unit, is activated and it is possible to use the pos command to move the motors by a percentage and monitor the movement event.

To deactivate use the command:

WEB_OFF [Carriage Return]

In this way the display of the codes is activated.

5.11.1 – Displaying radio codes on serial

If the TT6 receives a radio signal from one of the saved remote controls, the following info is sent, related to the transmitter, via the serial.

RAD * 0003E965 0000 0100000000

The first 8 digits represent the code of the remote control, the next 4 represent the variable part of the code of the remote control (masked at 0). The last 10 digits represent: the pressed button in the first 4 numbers, the next 6 are for future uses.

5.11.2 – Motor movement by percentage command

To move the motors by a percentage of their total stroke (therefore after having set the limit switches) use the command:

POS > [XX] [YY] [PPPP] [ZZZZ] [TT] [Carriage Return]

Where:

[XX] Is the address of the motor.

[YY] Is the node (04 is the default for the screen motors).

[PPPP] The percentage value you want to reach, expressed in thousandths.

[ZZZZ] [TT] The last two parameters in the screen motors are set at FFFF and FF for future developments.

For example, to take motor number 02 to the intermediate value (0500) of its stroke, the command must be composed in the following way:

POS # 02 04 0500 FFFF FF

During the movement the strings are sent with the current position of the motor until reaching the requested position in the form of async messages, the format is:

POS * 02 04 xxxx FFFF FF

Where **xxxx** is the instantaneous position of the motor.
In case of errors of syntax in the command, the error field will be added to the response with the value 01, the fields will be filled up to the first incorrect field and the subsequent ones will be filled with 0xF, e.g.:

```
POS ! 02 04 FFFF FFFF FF 01
```

In case of timeout, the error message will have the value 00 as error code, e.g.:

```
POS ! 02 04 0800 FFFF FF 00
```

Where **xxxx** is the instantaneous position of the motor.
The automation mechanism did not respond to the sent command.

5.11.3 – Motor current position read command

To read the current position of the automation mechanism, use the command:

```
POS < [XX] [YY] [AAAA] [ZZZZ] [TT] [Carriage Return]
```

Where:

[XX]	Is the address of the motor.
[YY]	Is the node (04 is the default for the screen motors).
[PPPP] [ZZZZ] [TT]	All filled with 0xF in the case of reading.

The response is of the type below:

```
POS * 02 04 0500 FFFF FF
```

Where the current position of the motor is indicated.

5.11 – Help commands

The two help commands are:

HELP	Command for viewing a description of the commands available through serial port.
HELP_TTBUS	Command for viewing the commands table for the TTBUS.
HELP_TLC	Command for viewing the list of functions in mode 2.

6 – DISPOSAL OF THE PRODUCT

This product constitutes an integral part of the automation system, therefore it must be disposed of jointly with the latter.

Likewise for installation operations, when the product reaches its end-of-life decommissioning operations must be performed by qualified personnel. This product is made up of different types of material, some of which can be recycled while others must be disposed of. Seek information on the recycling and disposal systems available in your area for this product category.

Beware! – Some parts of the product may contain pollutants or hazardous substances that – if released into the environment – may cause serious damage to the environment or human health.

As indicated by the adjacent symbol, it is strictly forbidden to dispose of this product together with domestic waste. Therefore, implement separate waste collection criteria for disposal according to the regulations in force in your area, or return the product to the dealer when purchasing a new equivalent version.

Beware! – Local legislation may include the application of serious fines in the event of improper disposal of this product.



7 – TECHNICAL SPECIFICATIONS

- **Power supply:** 110 - 240 VAC 50/60 Hz
- **Maximum absorbed current:** 80 mA in stand-by mode, 3 A at full load
- **Encoding:** FloR (rolling code)
- **Frequency:** 433.92 MHz
- **Antenna impedance:** 52 ohm
- **Sensitivity:** more than 0,5µV for successful signal
- **Range:** estimated at 200 m in open space or 35 m inside buildings
- **No. of storable transmitters:** 30
- **Output:** 1 output for controlling a two-phase motor
- **Contact capacity:** 3 A - 250 V
- **Protection rating:** IP44 (with container intact)
- **Operating temperature:** -20° C ÷ +55° C
- **Dimensions / weight:** 128 x 112 x 43 mm / 260 g

Notes:

- *The operating distance between transmitters and receivers (range) is strongly influenced by other devices operating in the area and at the same frequency (for example: alarm systems, radio earphones, etc.). In these cases, Nice cannot provide any guarantee with regard to the actual range of its devices.*
- *All technical specifications stated herein refer to an ambient temperature of 20° C (± 5° C).*
- *Nice reserves the right to effect modifications to the product whenever it deems necessary, while preserving the product's intended use and functionality.*

1 – AVVERTENZE

- **Attenzione!** - Per la sicurezza delle persone è importante rispettare queste istruzioni.
- **Attenzione!** - Istruzioni importanti per la sicurezza: quindi, conservare queste istruzioni.
- **Attenzione!** - Tutte le operazioni di installazione, di collegamento, di programmazione e di manutenzione del prodotto devono essere effettuate esclusivamente da un tecnico qualificato e competente!
- **Non eseguire modifiche su nessuna parte del prodotto, se non quelle pre viste nel presente manuale. Operazioni non autorizzate possono essere fonte di pericolo e causa di malfunzionamento. Il costruttore declina ogni responsabilità per danni derivanti da prodotti modificati arbitrariamente.**
- **Importante!** - Non utilizzare liquidi contenenti alcool, benzene, diluenti o altre sostanze infiammabili. L'uso di tali sostanze potrebbe danneggiare il prodotto.
- Conservare con cura questo manuale per facilitare eventuali interventi futuri di programmazione o di manutenzione del prodotto.
- Smaltire il materiale dell'imballaggio del prodotto nel pieno rispetto della normativa in vigore sul territorio.
- Per la pulizia superficiale del prodotto, utilizzare un panno morbido e leggermente umido (**non bagnato!**).

2 – DESCRIZIONE DEL PRODOTTO E DESTINAZIONE D'USO

La centrale TT6 è destinata ad essere utilizzata negli impianti di automatizzazione per tende da sole, tapparelle, lucernari, tende verticali, oscuranti e per comandare teli da video proiezione. **Ogni altro uso è da considerarsi improprio e vietato! Il costruttore non risponde dei danni risultanti da un uso improprio del prodotto, diverso da quanto previsto nel presente manuale.**

Il prodotto presenta:

- uscita per pilotare un motore a due fasi (ad esempio One-Max, To-max oppure NeoM); l'uscita può essere attivata direttamente dai due pulsanti presenti: **Pup (▲)** e **Pdown (▼)**;
- interfaccia TTBUS per pilotare motori Nice con sistema bus
- interfaccia RS232 per collegamento a PC
- ingresso di attivazione (Trigger) per attivare o disattivare una sequenza di motori (in corrispondenza al "Trigger" di salita oppure di discesa).

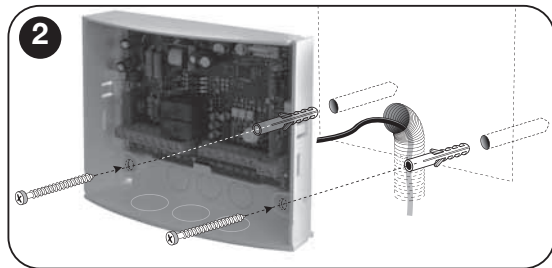
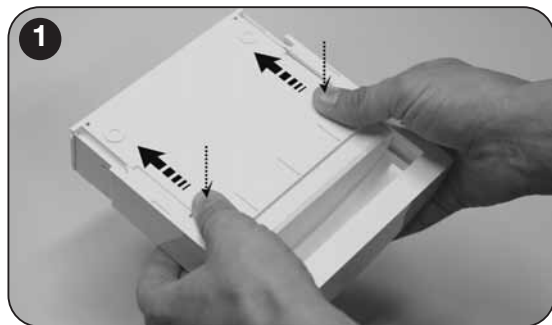
L'interfaccia radio estende le capacità di comando del prodotto in remoto attraverso la tecnologia radio Nice.

3 – INSTALLAZIONE

- 01.** Togliere il coperchio superiore della centrale (**fig. 1**).
- 02.** Praticare sul contenitore, in corrispondenza dei segni predisposti, i fori necessari al passaggio dei cavi e quelli per il fissaggio della centrale sulla parete. **Attenzione! – Prendere le opportune precauzioni per garantire il grado di protezione IP richiesto dal tipo di installazione. In particolare, prevedere dei pressacavi (non forniti)**

per garantire la protezione dei cavi di alimentazione e comando da possibili trazioni o torsioni.

03. Fissare sulla parete il contenitore della centrale (fig. 2). **Attenzione!** – Il ricevitore deve essere orientato in modo che i cavi entrino nel contenitore solo ed esclusivamente dal basso.



4 – COLLEGAMENTI ELETTRICI

Avvertenze

- Per effettuare il collegamento dell'antenna in dotazione, occorre lasciare il filo con la lunghezza fornita e posizionarlo in modo rettilineo, evitando curvature eccessive.
- Se la centrale si trova in una posizione sfavorevole e il segnale radio risulta debole, per migliorare la ricezione si consiglia di sostituire l'antenna in dotazione, con un'antenna esterna (mod. ABF o ABFKIT). La nuova antenna deve essere posizionata più in alto possibile e al di sopra di eventuali strutture metalliche o di cemento armato presenti nella zona.

4.1 – Ingressi (fig. 3 e Tabella 1)

- **L** Fase elettrica
- **N** Neutro
- **TTBUS:** (TTBUS, GND)
- **RS232** con protocollo dedicato
- **“Trigger” 5-24 Vdc** con eventi On e Off programmabili
 - 30+30 eventi programmabili
 - Evento: Indirizzo, comando
- **2 Ingressi** per comandi apri-chiudi per motore meccanico a 85-265 Vac 50/60 Hz
 - Funzionamento Apri-STOP, Chiudi-STOP
 - Attivazione “ON-PRESS”

4.2 – Uscite

- Uscita relè di potenza per il pilotaggio di un motore meccanico/elettronico con manovre (salita e discesa) program-

mabili, attivate dai due ingressi a pulsante Pup (▲) e Pdown (▼) del “Trigger” 12 V o via Radio.

- Tramite seriale con un comando interno è possibile variare il timer di attivazione da 1 s a 240 s.
- L’indirizzo di default del motore collegato alla centrale è 1.

Per verificare i Led presenti, vedere **Tabella 2**.

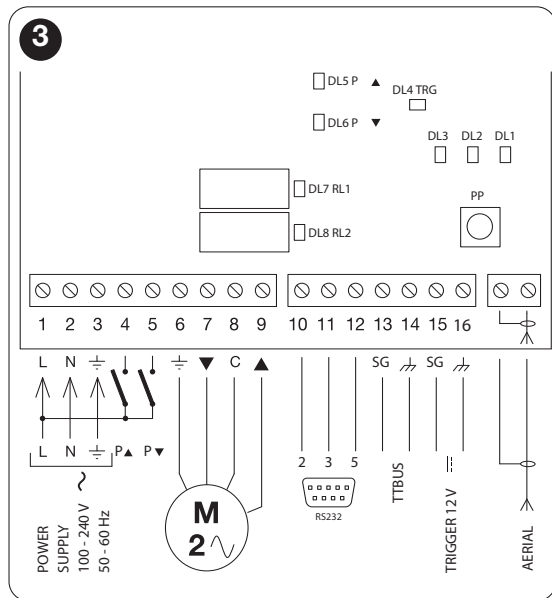


TABELLA 1

Schema dei collegamenti elettrici

1	Fase elettrica
2	Neutro
3	Terra
4	Pulsante di salita abbinato al motore meccanico collegabile
5	Pulsante di discesa abbinato al motore meccanico collegabile
6	Terra motore meccanico
7	Fase di discesa motore meccanico
8	Comune del motore meccanico
9	Fase di salita del motore meccanico
10	Segnale di TX dell’interfaccia RS232
11	Segnale di RX dell’interfaccia RS232
12	Comune (GND) del segnale seriale RS232
13	Segnale del motore con TTBUS (filo Bianco)
14	Comune del motore con TTBUS (filo Bianco/Nero)
15	Segnale del “Trigger” esterno di attivazione (ingresso con polarità positiva)
16	Comune del “Trigger” esterno di attivazione (ingresso con polarità negativa)
ANT	Ingresso antenna

TABELLA 2 - Led di segnalazione

Led	Descrizione
DL1 Led rosso	Indicatore alimentazione.
DL2 Led giallo	Se acceso memorizzazione telecomandi attiva.
DL3 Led verde	Segnalazioni.
DL4	Led indicazione "Trigger" 12 V on.
DL5, DL6 Led rosso	Indicatore apri-chiudi pulsanti esterni per meccanico.
DL7, DL8 Led rosso	Attivazione relè apri e chiudi.

5 – PROGRAMMAZIONE

La centrale può memorizzare i trasmettitori in due modalità, **Modo I** e **Modo II**:

Modo I

- il tasto **1** comanda l'Apertura per il tempo di manovra (Tm) impostato (massimo 240 sec.);
- il tasto **2** comanda lo Stop;
- il tasto **3** comanda la chiusura per il tempo di manovra (Tm) impostato (massimo 240 sec.);
- il tasto **4** comanda lo Stop, nuovamente.

Modo II

Il tasto del trasmettitore può essere abbinato ad una delle seguenti funzioni:

- 1**- Passo passo
- 2**- Apri

- 3**- Chiudi
- 4**- Stop
- 5**- Chiudi dopo 10 s
- 6**- Apri dopo 10 s
- 7**- Chiudi dopo 20 s
- 8**- Apri dopo 20 s
- 9** - Chiudi a uomo presente
- 10**- Apri a uomo presente
- 11**- Attiva scenario Trigger Up
- 12**- Attiva scenario Trigger Down
- 13**- Uscita codice radio su RS232

5.1 – Memorizzazione di un trasmettitore in "Modo I"

- 01.** Sulla centrale, mantenere premuto il tasto **P1** fino a quando si accende il Led verde **DL1** (dopo circa 4 secondi) e poi rilasciare il tasto, si accenderà anche il led giallo **DL2**.
- 02.** Entro 10 secondi, premere e mantenere premuto un qualsiasi tasto del trasmettitore da memorizzare, fino a quando il Led verde **DL1** della centrale emette il primo dei 3 lampeggi che segnalano l'avvenuta memorizzazione. Al termine di questi lampeggi, se si desidera memorizzare un altro trasmettitore in "**Modo I**", premere entro 10 secondi un tasto qualsiasi di questo nuovo trasmettitore. Infine, attendere lo spegnimento del led giallo **DL2**.

Attenzione! – Se si prova a memorizzare un trasmettitore già presente nella memoria, il Led verde **DL1** emette 1 lampeggio come segnalazione.

5.2 – Memorizzazione di un trasmettitore in "Modo II"

- 01.** Scegliere nella lista del "**Modo II**" la funzione che si desidera programmare (es. "Funzione 8").

02. Sul ricevitore, premere il tasto **P1** un numero di volte pari al numero che identifica la funzione prescelta nel nostro esempio, 8 volte). Al termine, il Led verde **DL1** emette un numero di lampeggi brevi, uguali al numero di pressioni esercitate sul tasto (nel nostro esempio, 8 lampeggi brevi).
03. Entro 10 secondi, mantenere premuto sul trasmettitore il tasto che si desidera memorizzare, fino a quando il Led verde **DL1** del ricevitore emette il primo dei 3 lampeggi lunghi, che segnalano l'avvenuta memorizzazione. Al termine di questi lampeggi, se si desidera memorizzare con la stessa funzione un nuovo tasto (anche di un altro trasmettitore), premere entro 10 secondi (Led giallo acceso **DL2**) questo nuovo tasto.
04. Se si cerca di memorizzare un trasmettitore già presente in memoria il Led verde **DL1** emette un singolo lampeggio come segnalazione.

5.3 – Cancellazione di tutti i trasmettitori memorizzati

01. Mantenere premuto a lungo il tasto **P1** della centrale, osservare la sequenza degli stati che assume il Led verde **DL1**.
02. Dopo circa 4 secondi, si accende...
03. Dopo circa 4 secondi, si spegne...
04. Dopo circa 4 secondi, inizia a lampeggiare...
A questo punto:
 05. Per cancellare i trasmettitori memorizzati, rilasciare il tasto del ricevitore esattamente durante il 3° lampeggio del Led verde **DL1**;
 06. Per cancellare tutta la memoria, rilasciare (comprese le configurazioni e la famiglia di codifica dei trasmettitori),

rilasciare il tasto esattamente durante il 5° lampeggio del Led verde **DL1**.

07. Per cancellare un singolo trasmettitore rilasciare il tasto esattamente durante il 7° lampeggio a questo punto premere un tasto (*) sul trasmettitore che si desidera cancellare dalla memoria entro dieci secondi (Led giallo **DL2** acceso) a cancellazione avvenuta il led verde **DL1** emetterà 5 lampeggi veloci.
08. Ripetere l'operazione entro dieci secondi (Led giallo **DL2** acceso) per cancellare un altro trasmettitore.

(*) **Nota** – Se il trasmettitore è memorizzato in **"Modo I"**, premere un tasto qualsiasi; se invece è memorizzato in **"Modo II"**, premere il tasto memorizzato; se vi fossero più tasti memorizzati, ripetere la procedura per ognuno di loro.

5.4 – Protocollo di comunicazione

CMD [XX] [YY] [AA] [Campo dati opzionali] [Carriage Return]

Nota – I campi sono distanziati da uno spazio.

[CMD]	Campo da 3 caratteri. Per convenzione, nel caso di invio di comandi verso il busT4/TTBUS sarà sempre pari a "CMD".
[XX] [YY]	Sono i due campi di due caratteri ciascuno indicanti, nell'ordine l'Indirizzo e il Nodo del dispositivo. Questi due campi sono obbligatori e andranno scritti in esadecimale.
[AA]	Campo indicante il comando da inviare. È obbligatorio e la sua lunghezza è di 2 caratteri. Rappresenta l'ID del comando

inviabile secondo la lista comandi già elencati (ad esempio: 04 apre; 05 chiude...).

[Campo dati]

Campo opzionale di lunghezza variabile. La sua dimensione dipende dal tipo di comando inviato al dispositivo: vi saranno comandi che non richiederanno dati (ad esempio il comando Apre), altri invece sì (ad esempio il comando Apre percentuale).

[Carriage Return] Codice decimale 13, esadecimale 0D; deve sempre essere presente, ogni stringa inviata deve terminare con tale carattere.

Ad ogni comando inviato, l'interfaccia dovrà restituire una risposta di semplice ricezione del comando stesso (questo non significa poi che il comando sia stato eseguito dall'automazione). Si tratta di una notifica che attualmente avrà un costrutto molto semplice, come il seguente:

RSP [XX] [YY] [ZZ] [Campo dati opzionali] [Carriage Return]

5.5 – Lista comandi

CMD	Descrizione
45	LETTURA DELLA POSIZIONE percentuale 0 - 255 0 = Finecorsa basso 255 = Finecorsa alto
04	Discesa
40	Comando APRI percentuale 0 - 255 0 = Finecorsa basso 255 = Finecorsa alto

50	Leggi trasmettitore in memoria
51	Memorizzazione in memoria
60	Cancellazione in memoria
65	Cancellazione di tutti i trasmettitori in memoria
66	Cancellazione parametri motore
20	Memorizzazione finecorsa 0 in posizione attuale
21	Memorizzazione finecorsa 1 in posizione attuale
22	Memorizzazione quota parziale 1 in posizione attuale
23	Memorizzazione quota parziale 2 in posizione attuale
24	Memorizzazione quota parziale 3 in posizione attuale
25	Memorizzazione quota parziale 4 in posizione attuale
26	Memorizzazione quota parziale 5 in posizione attuale
27	Memorizzazione quota parziale 6 in posizione attuale
30	Cancellazione finecorsa 0
31	Cancellazione finecorsa 1
32	Cancellazione quota parziale 1
33	Cancellazione quota parziale 2
34	Cancellazione quota parziale 3
35	Cancellazione quota parziale 4
36	Cancellazione quota parziale 5
37	Cancellazione quota parziale 6
05	Salita
12	Muovi a piccoli passi in salita
03	STOP

13	Muovi a piccoli passi in discesa
06	Muovi a quota parziale 1
07	Muovi a quota parziale 2
08	Muovi a quota parziale 3
09	Muovi a quota parziale 4
10	Muovi a quota parziale 5
11	Muovi a quota parziale 6

Nota – I comandi disponibili, devono essere disponibili anche per il motore.

5.5.1 – **Comando di Muovi a quota parziale 1, 2, 3, 4, 5, 6**

Dopo l'assegnazione della quota parziale muove il motore alla quota impostata.

Struttura

Start	TT ADR [XX]	TT ENDPOINT [YY]	Comando [AA]	Dati	CR
CMD	IND	04	06	-	-

Il campo dati è vuoto.

Esempio

Start	TT ADR [XX]	TT ENDPOINT [YY]	Comando [AA]	Dati	CR
CMD	01	04	06	-	-

Risposta

Start	TT ADR [XX]	TT ENDPOINT [YY]	Comando [AA]	Dati	CR
RISP	01	04	06	-	-

5.5.2 – **Comando di STOP**

Ferma il motore.

Struttura

Start	TT ADR [XX]	TT ENDPOINT [YY]	Comando [AA]	Dati	CR
CMD	IND	04	03	-	-

Il campo dati è vuoto.

Esempio

Start	TT ADR [XX]	TT ENDPOINT [YY]	Comando [AA]	Dati	CR
CMD	01	04	06	-	-

Risposta

Start	TT ADR [XX]	TT ENDPOINT [YY]	Comando [AA]	Dati	CR
RISP	01	04	06	-	-

5.5.3 – Comando di SALITA

Comanda la salita del motore fino al finecorsa settato.

Struttura

Start	TT ADR [XX]	TT ENDPOINT [YY]	Comando [AA]	Dati	CR
CMD	IND	04	05	-	-

Il campo dati è vuoto.

Esempio

Start	TT ADR [XX]	TT ENDPOINT [YY]	Comando [AA]	Dati	CR
CMD	01	04	05	-	-

Risposta

Start	TT ADR [XX]	TT ENDPOINT [YY]	Comando [AA]	Dati	CR
RISP	01	04	05	-	-

5.5.4 – Comando di DISCESA

Comanda la discesa del motore fino al finecorsa settato.

Struttura

Start	TT ADR [XX]	TT ENDPOINT [YY]	Comando [AA]	Dati	CR
CMD	IND	04	04	-	-

Il campo dati è vuoto.

Esempio

Start	TT ADR [XX]	TT ENDPOINT [YY]	Comando [AA]	Dati	CR
CMD	01	04	04	-	-

Risposta

Start	TT ADR [XX]	TT ENDPOINT [YY]	Comando [AA]	Dati	CR
RISP	01	04	04	-	-

5.5.5 – Comando di Muovi a piccoli passi in discesa

Invia un comando di discesa. La versione “step” muove il motore per piccoli passi, anche oltre il finecorsa.

Attenzione: il verso di salita e discesa vengono assegnati correttamente dopo aver settato i finecorsa.

Struttura

Start	TT ADR [XX]	TT ENDPOINT [YY]	Comando [AA]	Dati	CR
CMD	IND	04	13	-	-

Il campo dati è vuoto.

Esempio

Start	TT ADR [XX]	TT ENDPOINT [YY]	Comando [AA]	Dati	CR
CMD	01	04	13	-	-

Risposta

Start	TT ADR [XX]	TT ENDPOINT [YY]	Comando [AA]	Dati	CR
RISP	01	04	13	-	-

5.5.6 – Comando di Muovi a piccoli passi in salita

Invia un comando di salita. La versione “step” muove il motore per piccoli passi, anche oltre il finecorsa.

Attenzione: il verso di salita e discesa vengono assegnati correttamente dopo aver settato i finecorsa.

Struttura

Start	TT ADR [XX]	TT ENDPOINT [YY]	Comando [AA]	Dati	CR
CMD	IND	04	12	-	-

Il campo dati è vuoto.

Esempio

Start	TT ADR [XX]	TT ENDPOINT [YY]	Comando [AA]	Dati	CR
CMD	01	04	12	-	-

Risposta

Start	TT ADR [XX]	TT ENDPOINT [YY]	Comando [AA]	Dati	CR
RISP	01	04	12	-	-

5.5.7 – Memorizzazione quota parziale 1, 2, 3, 4, 5, 6 e quota finecorsa 0 e 1

Assegna la quota corrente ad una variabile.

Struttura

Start	TT ADR [XX]	TT ENDPOINT [YY]	Comando [AA]	Dati	CR
CMD	IND	04	-	-	-

Il campo dati è vuoto.

Esempio

Start	TT ADR [XX]	TT ENDPOINT [YY]	Comando [AA]	Dati	CR
CMD	01	04	20	-	-

Risposta

Start	TT ADR [XX]	TT ENDPOINT [YY]	Comando [AA]	Dati	CR
RISP	01	04	20	-	-

5.5.8 – Cancellazione quota parziale 1, 2, 3, 4, 5, 6 e quota finecorsa 0 e 1

Cancela la quota inserita.

Struttura

Start	TT ADR [XX]	TT ENDPOINT [YY]	Comando [AA]	Dati	CR
CMD	IND	04	-	-	-

Il campo dati è vuoto.

Esempio

Start	TT ADR [XX]	TT ENDPOINT [YY]	Comando [AA]	Dati	CR
CMD	01	04	30	-	-

Risposta

Start	TT ADR [XX]	TT ENDPOINT [YY]	Comando [AA]	Dati	CR
RISP	01	04	30	-	-

5.5.9 – Lettura della posizione percentuale 0 - 255 0 = Finecorsa basso 255 = Finecorsa alto

Legge la posizione corrente del motore in modo percentuale.
Il campo dati PP è la posizione percentuale.

Struttura

Start	TT ADR [XX]	TT ENDPOINT [YY]	Comando [AA]	Dati	CR
CMD	IND	04	45	-	-

Il campo dati è vuoto.

Esempio

Start	TT ADR [XX]	TT ENDPOINT [YY]	Comando [AA]	Dati	CR
CMD	01	04	45	-	-

Risposta

Start	TT ADR [XX]	TT ENDPOINT [YY]	Comando [AA]	Dati	CR
RISP	01	04	45	128	-

5.5.10 – Muovi alla posizione percentuale 0 - 255 0 = Finecorsa basso 255 = Finecorsa alto

Muove il motore alla posizione X.
Il campo dati PP è la posizione percentuale.

Struttura

Start	TT ADR [XX]	TT ENDPOINT [YY]	Comando [AA]	Dati	CR
CMD	IND	04	40	PP	-

Il campo dati è vuoto.

Esempio

Start	TT ADR [XX]	TT ENDPOINT [YY]	Comando [AA]	Dati	CR
CMD	01	04	40	25	-

Risposta

Start	TT ADR [XX]	TT ENDPOINT [YY]	Comando [AA]	Dati	CR
RISP	01	04	40	25	-

5.5.11 – Comando di Cancellazione di tutti i trasmettitori in memoria

Cancella tutti i radio comandi dal motore.

Struttura

Start	TT ADR [XX]	TT ENDPOINT [YY]	Comando [AA]	Dati	CR
CMD	IND	04	65	-	-

Il campo dati è vuoto.

Esempio

Start	TT ADR [XX]	TT ENDPOINT [YY]	Comando [AA]	Dati	CR
CMD	01	04	65	-	-

Risposta

Start	TT ADR [XX]	TT ENDPOINT [YY]	Comando [AA]	Dati	CR
RISP	01	04	65	-	-

5.5.12 – Comando di Cancellazione parametri motore

Cancella tutti i dati fincorsa dal motore.

Struttura

Start	TT ADR [XX]	TT ENDPOINT [YY]	Comando [AA]	Dati	CR
CMD	IND	04	66	-	-

Il campo dati è vuoto.

Esempio

Start	TT ADR [XX]	TT ENDPOINT [YY]	Comando [AA]	Dati	CR
CMD	01	04	66	-	-

Risposta

Start	TT ADR [XX]	TT ENDPOINT [YY]	Comando [AA]	Dati	CR
RISP	01	04	66	-	-

5.6 – Comandi per memorizzazione e visualizzazione liste

Possono essere memorizzate due liste di comandi (max 30). I comandi vengono poi eseguiti in sequenza quando avviene una transizione del "Trigger" 12 V in ingresso oppure l'evento "Trigger" up o down da trasmettitore.

Il comando da seriale per memorizzare i comandi che verranno eseguiti quando il segnale va da basso ad alto è:

MEM_ON [XX] [YY] [XX1] [YY1] [...] [...] [Carriage Return]

Nota – I campi sono distanziati da uno spazio e la stringa è terminata dal Carriage Return.

Importante! – L'indirizzo 1 viene utilizzato per inviare comandi al motore meccanico.

I campi sono:

MEM_ON È la stringa che memorizza i comandi nella prima lista.

[XX] Indirizzo del dispositivo a cui si vuole inviare il comando, è obbligatoriamente composto da due cifre con rappresentazione esadecimale.

[YY] Comando che si vuole inviare al dispositivo, è obbligatoriamente composto da due cifre secondo la tabella dei comandi riportata in precedenza.

Le successive coppie **[XX]** e **[YY]** rappresentano gli altri N comandi che si possono inviare ai motori con 30 come limite.

Ad esempio volendo inviare al dispositivo 2 il comando sali, al dispositivo 3 il comando chiudi e al 5 il comando di Muovi a piccoli passi in salita, il comando sarà

```
MEM_ON 02 05 03 04 05 12 [Carriage Return]
```

La risposta sarà del tipo:

```
MEM_ON 02 05 03 04 05 12
LIST TRIGGER ON:
CMD 1--> addr: 2, cmd: 5
CMD 2--> addr: 3, cmd: 4
CMD 3--> addr: 5, cmd: 12
```

La lista che gestisce l'evento del fronte di discesa del "Trigger" ha un funzionamento analogo eccetto per il comando, in questo caso si ha:

```
MEM_OFF [XX] [YY] [XX1] [YY1] [...] [...] [Carriage Return]
```

Utilizzando l'esempio precedente si ha:

```
MEM_OFF 02 05 03 04 05 12 [Carriage Return]
```

La risposta sarà del tipo:

```
MEM_OFF 02 05 03 04 05 12
LIST TRIGGER OFF:
CMD 1--> addr: 2, cmd: 5
CMD 2--> addr: 3, cmd: 4
CMD 3--> addr: 5, cmd: 12
```

5.7 – Visualizzare le liste comandi

Esiste inoltre la possibilità di visualizzare le due liste memorizzate a video. È sufficiente dare il comando **LIST** seguito da invio per avere l'elenco completo delle due liste. Il comando è:

```
LIST [Carriage Return]
```

Ad esempio digitando List dopo aver dato i due comandi precedenti avremo:

```
LIST
LIST TRIGGER ON:
CMD 1--> addr: 2, cmd: 5
CMD 2--> addr: 3, cmd: 4
CMD 3--> addr: 5, cmd: 12
LIST TRIGGER OFF:
CMD 1--> addr: 2, cmd: 5
```

CMD 2--> addr: 3, cmd: 4
CMD 3--> addr: 5, cmd: 12

5.8 – Comando per impostare la durata dei movimenti del motore meccanico

Il motore meccanico ha un tempo impostabile per la durata dei movimenti. Il comando che si usa è:

SET_TIME [XXX] [Carriage Return]

I campi sono distanziati da uno spazio e la stringa è terminata dal Carriage Return.

I campi sono:

SET_TIME Comando per impostare il tempo.

[XXX] Valore in secondi (max 240).

Il valore di default alla prima accensione è 10 secondi e viene salvato in memoria ad ogni cambiamento.

Alla successiva riaccensione viene utilizzato l'ultimo valore salvato.

5.9 – Cambiare l'indirizzo di un dispositivo

Si può impostare l'indirizzo di un motore con il comando:

ADR [XX] [YY] [Carriage Return]

I campi sono distanziati da uno spazio e la stringa è terminata dal Carriage Return.

I campi sono:

[XX] Indirizzo attuale del motore, l'indirizzo va scritto obbligatoriamente con due cifre e in formato esadecimale.

[YY] Nuovo indirizzo del motore, l'indirizzo va scritto obbligatoriamente con due cifre e in formato esadecimale.

Ad esempio per cambiare l'indirizzo del motore da 03 a 07 usare il comando.

ADR 03 07 [Carriage Return]

5.10 – Visualizzare informazioni sui telecomandi memorizzati

Si possono visualizzare informazioni sui telecomandi in memoria col il comando:

TLC_STATUS [Carriage Return]

Le informazioni riguardano il numero di telecomandi memorizzati e il modo di funzionamento.

Si avrà una risposta del tipo:

tlc_status

Number of remote control in mem: 3

Number of free position in mem: 29

TLC 1 : Mode 2 - Function number 1 - Key UP

TLC 2 : Mode 1

TLC 3 : Mode 2 - Function number 2 - Key DOWN

5.11 – Comandi attivabili per interfacce domotiche

Il comando attiva nella centrale la trasmissione bidirezionale di informazioni, visualizzazione dei codici radio su seriale e trasmissione della posizione dell'automazione durante il movimento.

Digitare:

WEB_ON [Carriage Return]

In questo modo viene attivata la visualizzazione dei codici radio via seriale, se memorizzati nella centrale, e si può utilizzare il comando pos per muovere i motori in percentuale e monitorare l'evento di movimento.

Per disattivare usare il comando:

WEB_OFF [Carriage Return]

In questo modo viene attivata la visualizzazione dei codici.

5.11.1 – Visualizzazione codici radio su seriale

Se la TT6 riceve un segnale radio da uno dei telecomandi memorizzati trasmette le seguenti info, relative al trasmettitore, via seriale.

RAD * 0003E965 0000 0100000000

Le prime 8 cifre rappresentano il codice del telecomando, le 4 successive rappresentano la parte variabile del codice del telecomando (mascherate a 0). Nelle ultime 10 cifre sono rappresentati: nei primi 4 numeri il tasto premuto, le successive 6 sono per usi futuri.

5.11.2 – Comando muovi motore a percentuale

Per muovere i motori ad una percentuale della loro corsa totale (dopo aver impostato i finecorsa quindi) si usa il comando:

POS > [XX] [YY] [PPPP] [ZZZZ] [TT] [Carriage Return]

Dove:

[XX] È l'indirizzo del motore.

[YY] È il nodo (per i motori screen di default è 04).

[PPPP] Valore percentuale che si vuole raggiungere, espresso in millesimi.

[ZZZZ] [TT] Gli ultimi due parametri nei motori screen sono impostati a FFFF e FF per sviluppi futuri.

Ad esempio per portare il motore numero 02 al valore intermedio (0500) della sua corsa dovremo comporre il comando nel seguente modo:

POS # 02 04 0500 FFFF FF

Durante il movimento vengono inviate le stringhe con la posizione attuale del motore fino al raggiungimento della posizione richiesta sotto forma di messaggi asincroni, il formato è:

POS * 02 04 xxxx FFFF FF

Dove **xxxx** è la posizione istantanea del motore.
Nel caso di errore di sintassi del comando verrà aggiunto il campo errore alla risposta con valore 01 i campi saranno riempiti fino al primo campo errato e i successivi saranno riempiti con 0xF, ad esempio:

```
POS ! 02 04 FFFF FFFF FF 01
```

In caso di timeout il messaggio di errore avrà come codice errore il valore 00, ad esempio:

```
POS ! 02 04 0800 FFFF FF 00
```

Dove **xxxx** è la posizione istantanea del motore.
L'automazione non ha risposto al comando inviato.

5.11.3 – Comando leggi posizione attuale motore

Per leggere la posizione attuale dell'automazione si usa il comando:

```
POS < [XX] [YY] [AAAA] [ZZZZ] [TT] [Carriage Return]
```

Dove:

[XX] È l'indirizzo del motore.

[YY] È il nodo (per i motori screen di default è 04).

[PPPP] [ZZZZ] [TT] Tutti riempiti con 0xF nel caso di lettura.

La risposta è del tipo:

```
POS * 02 04 0500 FFFF FF
```

Dove viene indicata la posizione attuale del motore.

5.12 – Comandi help

I due comandi di aiuto sono:

HELP Comando per visualizzare una descrizione dei comandi disponibili via seriale.

HELP_TTBUS Comando per visualizzare la tabella dei comandi per il TTBUS.

HELP_TLC Comando per visualizzare la lista delle funzioni in modo 2.

6 – SMALTIMENTO DEL PRODOTTO

Questo prodotto è parte integrante dell'automazione, e dunque, deve essere smaltito insieme con essa.

Come per le operazioni d'installazione, anche al termine della vita di questo prodotto, le operazioni di smantellamento devono essere eseguite da personale qualificato. Questo prodotto è costituito da vari tipi di materiali: alcuni possono essere riciclati, altri devono essere smaltiti. Informatevi sui sistemi di riciclaggio o smaltimento previsti dai regolamenti vigenti sul vostro territorio, per questa categoria di prodotto.

Attenzione! – Alcune parti del prodotto possono contenere sostanze inquinanti o pericolose che, se disperse nell'ambiente, potrebbero provocare effetti dannosi sull'ambiente stesso e sulla salute umana.

Come indicato dal simbolo a lato, è vietato gettare questo prodotto nei rifiuti domestici. Eseguire quindi la "raccolta separata" per lo smaltimento, secondo i metodi previsti dai regolamenti vigenti sul vostro territorio, oppure riconsegnare il prodotto al venditore nel momento dell'acquisto di un nuovo prodotto equivalente.

Attenzione! – I regolamenti vigenti a livello locale possono prevedere pesanti sanzioni in caso di smaltimento abusivo di questo prodotto.



7 – CARATTERISTICHE TECNICHE

- **Alimentazione:** 110 ÷ 240 Vac 50/60 Hz
- **Corrente massima assorbita:** 80 mA in stand-by, 3 A a massimo carico
- **Codifiche:** FloR (rolling code)
- **Frequenza:** 433.92 MHz
- **Impedenza antenna:** 52 ohm
- **Sensibilità:** migliore di 0,5µV per segnale a buon fine
- **Portata:** stimata in 200 m se in spazio libero e 35 m se all'interno di edifici
- **N° trasmettitori memorizzabili:** 30
- **Uscita:** n° 1 uscita per il pilotaggio di un motore a due fasi
- **Capacità dei contatti:** 3 A - 250 V
- **Grado di protezione:** IP44 (a contenitore integro)
- **Temperatura di funzionamento:** -20 ÷ +55° C
- **Dimensioni / peso:** 128 x 112 x 43 mm / 260 g

Note:

– La distanza operativa tra trasmettitori e ricevitori (portata) è fortemente influenzata da altri dispositivi che operano nella zona ed alla stessa frequenza (ad esempio: sistemi di allarmi, radiocuffie, ecc.). In questi casi, Nice, non può offrire nessuna garanzia circa la reale portata dei propri dispositivi.

– Tutte le caratteristiche tecniche riportate, sono riferite ad una temperatura ambientale di 20° C (± 5° C).

– Nice si riserva il diritto di apportare modifiche al prodotto in qualsiasi momento lo riterrà necessario, mantenendone la stessa destinazione d'uso e funzionalità.

1 – RECOMMANDATIONS

- **Attention ! - Pour la sécurité des personnes, il est important de respecter ces instructions.**
- **Attention ! - Instructions importantes pour la sécurité : conserver par conséquent ces instructions.**
- **Attention ! - Toutes les opérations d'installation, de connexion, de programmation et de maintenance du produit doivent être effectuées exclusivement par un technicien qualifié et compétent !**
- **Ne pas effectuer de modifications sur des parties du produit quelles qu'elles soient, en dehors de celles qui sont décrites dans ce guide. Les opérations non autorisées peuvent être source de danger et entraîner des problèmes de fonctionnement. Le constructeur décline toute responsabilité pour les dommages dérivant de produits modifiés arbitrairement.**
- **Important ! - Ne pas utiliser de substances contenant de l'alcool, du benzène, des diluants ou autres substances inflammables. L'utilisation de ces substances pourrait endommager le produit.**
- Conserver avec soin ce guide pour faciliter les éventuelles interventions futures de programmation et de maintenance du produit.
- Mettre au rebut les matériaux d'emballage du produit dans le plein respect des normes locales en vigueur.
- Pour le nettoyage superficiel du produit, utiliser un chiffon doux et légèrement humide (**pas mouillé !**).

2 – DESCRIPTION DU PRODUIT ET TYPE D'UTILISATION

La logique de commande TT6 est prévue pour utilisation dans des installations d'automatismes de stores, volets roulants, lanterneaux, stores verticaux, occultants et pour commander des écrans de projection. **Toute autre utilisation doit être considérée comme impropre et interdite ! Le constructeur ne répond pas des dommages résultant d'une utilisation impropre du produit, différente de ce qui est prévu dans ce guide.**

Ce produit comprend :

- sortie pour piloter un moteur à deux phases (par exemple OneMax, To-max ou bien NeoM) ; la sortie peut être activée directement par les deux boutons présents : **Pup** (▲) et **Pdown** (▼) ;
- interface TTBUS pour piloter des moteurs Nice avec système bus
- interface RS232 pour raccordement à un PC
- entrée d'activation (Trigger) pour activer ou désactiver une séquence de moteurs (au niveau du « trigger » de montée ou bien de descente).

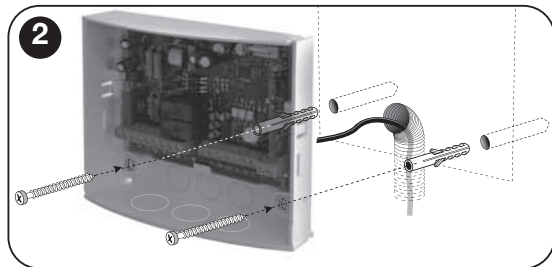
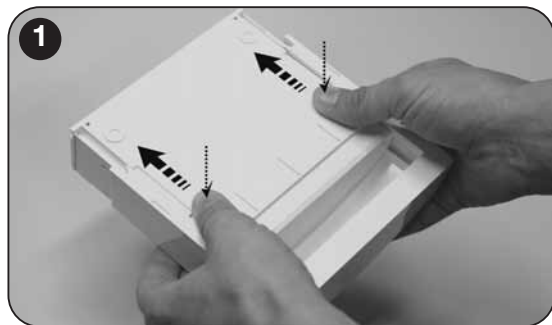
L'interface radio étend les capacités de commande du produit à distance à travers la technologie radio Nice.

3 – INSTALLATION

- 01.** Retirer le couvercle supérieur de la logique de commande (**fig. 1**).
- 02.** Pratiquer sur le boîtier, au niveau des marques, les trous nécessaires au passage des câbles et ceux pour la fixation de la logique de commande au mur. **Attention ! Prendre les précautions nécessaires pour garantir l'indice de protection IP demandé par le type d'installation. En particulier, prévoir des presse-étoupe (non fournis) pour**

garantir la protection des câbles d'alimentation et de commande contre le risque de tractions ou de torsions.

03. Fixer au mur le boîtier de la logique de commande (fig. 2).
Attention ! – Le récepteur doit être orienté de manière à ce que les câbles entrent dans le boîtier exclusivement par le bas.



4 – BRANCHEMENTS ÉLECTRIQUES

Recommandations

- Pour procéder au branchement de l'antenne fournie, laisser la longueur de fil fournie et positionner ce dernier de manière rectiligne en évitant les courbes excessives.
- Si la logique de commande se trouve dans une position défavorable et que le signal radio est faible, pour améliorer la réception il est conseillé de remplacer l'antenne fournie par une antenne extérieure (mod. ABF ou ABFKIT). La nouvelle antenne doit être positionnée le plus haut possible et au-dessus d'éventuelles structures métalliques ou de béton armé présentes dans la zone.

4.1 – Entrées (fig. 3 et Tableau 1)

- **L** Phase électrique
- **N** Neutre
- **TTBUS** : (TTBUS, GND)
- **RS232** avec protocole dédié
- « **Trigger** » **5-24 Vdc** avec événements On et Off programmables
 - 30+30 événements programmables
 - Événement : adresse, commande
- **2 Entrées** pour commandes ouvrir /fermer pour moteur mécanique à 85-265 Vac 50/60 Hz
 - Fonctionnement Ouvrir/STOP, Fermer/STOP
 - Activation « ON-PRESS »

4.2 – Sorties

- Sortie relais de puissance pour le pilotage d'un moteur mécanique/électronique avec manœuvres (montée et descente) programmables, activées par les deux entrées à bouton Pup (▲) et Pdown (▼) du « Trigger » 12 V ou par Radio.

- Par l'intermédiaire d'un port série avec commande interne, il est possible de modifier la minuterie d'activation de 1 à 240 s.
- L'adresse par défaut du moteur raccordé à la logique de commande est 1.

Pour vérifier les Led présentes, voir **Tableau 2**.

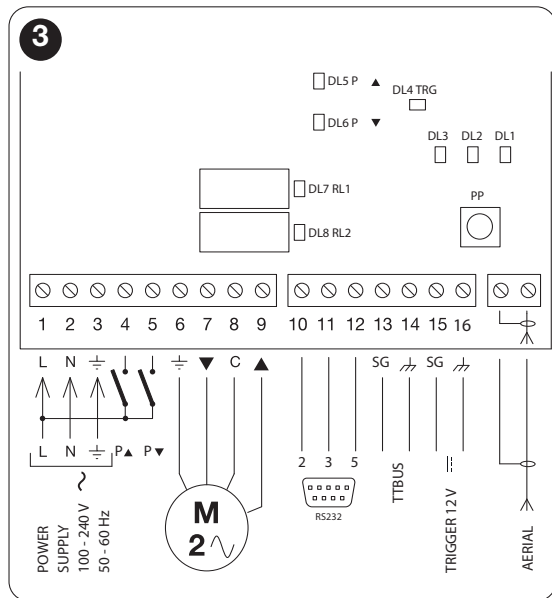


TABLEAU 1

Schéma des branchements électriques

1	Phase électrique
2	Neutre
3	Terre
4	Bouton de montée associé au moteur mécanique raccordable
5	Bouton de descente associé au moteur mécanique raccordable
6	Prise de terre du moteur mécanique
7	Phase de descente du moteur mécanique
8	Commun du moteur mécanique
9	Phase de montée du moteur mécanique
10	Signal de TX de l'interface RS232
11	Signal de RX de l'interface RS232
12	Commun (GND) du signal port série RS232
13	Signal du moteur avec TTBUS (fil Blanc)
14	Commun du moteur avec TTBUS (fil Blanc/Noir)
15	Signal du « trigger » externe d'activation (entrée en polarité positive)
16	Commun du « trigger » externe d'activation (entrée en polarité négative)
ANT	Entrée antenne

TABLEAU 2 - Led de signalisation

Led	Description
DL1 Led rouge	Indicatrice d'alimentation
DL2 Led jaune	Allumée elle indique que la mémorisation des télécommandes est active.
DL3 Led verte	Signalisations.
DL4	Led indication « trigger » 12 V on.
DL5, DL6 Led rouge	Indication ouvrir/fermer boutons externes pour moteur mécanique.
DL7, DL8 Led rouge	Activation relais pour ouvrir et fermer.

5 – PROGRAMMATION

La logique de commande peut mémoriser les émetteurs en deux modalités, **Mode I** et **Mode II** :

Mode I

- la touche **1** commande l'ouverture pendant le temps de manœuvre (Tm) programmé (240 secondes maximum) ;
- la touche **2** commande le Stop ;
- la touche **3** commande la fermeture pendant le temps de manœuvre (Tm) programmé (240 secondes maximum) ;
- la touche **4** commande le Stop, à nouveau.

Mode II

La touche de l'émetteur peut être associée à l'une des fonctions suivantes :

- 1- Pas à pas
- 2- Ouvrir

4 - Français

- 3- Fermer
- 4- Stop
- 5- Fermer au bout de 10 s
- 6- Ouvrir au bout de 10 s
- 7- Fermer au bout de 20 s
- 8- Ouvrir au bout de 20 s
- 9 – Fermer en action maintenue
- 10- Ouvrir en action maintenue
- 11- Active scénario Trigger Up
- 12- Active scénario Trigger Down
- 13- Sortie code radio sur RS232

5.1 – Mémorisation d'un émetteur en « Mode I »

01. Sur la logique de commande, maintenir la touche **P1** enfoncée jusqu'à ce que la Led verte **DL1** s'allume (au bout de 4 secondes environ) puis relâcher la touche, la led jaune **DL2** s'allumera elle aussi.
02. Dans les 10 secondes, appuyer et maintenir enfoncée une touche quelconque de l'émetteur à mémoriser, jusqu'à ce que la led verte **DL1** de la logique de commande émette le premier des 3 clignotements qui signalent que la mémorisation a eu lieu. À la fin de ces clignotements, si l'on souhaite mémoriser un autre émetteur en « **Mode I** », appuyer dans les 10 secondes sur une touche quelconque de ce nouvel émetteur. Attendre enfin que la led jaune **DL2** s'éteigne.

Attention ! – Si l'on essaie de mémoriser un émetteur déjà présent dans la mémoire, la led verte **DL1** émet 1 clignotement d'avertissement.

5.2 – Mémorisation d'un émetteur en « Mode II »

01. Choisir dans la liste du « **Mode II** » la fonction que l'on désire programmer (ex. « Fonction 8 »).

02. Sur le récepteur, appuyer sur la touche **P1** un nombre de fois égal au nombre qui identifie la fonction choisie (dans notre exemple, 8 fois). À la fin, la led verte **DL1** émet un nombre de clignotements brefs égal au nombre de pressions exercées sur la touche (dans notre exemple, 8 clignotements brefs).
03. Dans les 10 secondes, maintenir enfoncée sur l'émetteur la touche que l'on désire mémoriser, jusqu'à ce que la led verte **DL1** du récepteur émette le premier des 3 clignotements longs qui signalent que la mémorisation a eu lieu. À la fin de ces clignotements, si l'on souhaite mémoriser avec la même fonction une nouvelle touche (même d'un autre émetteur), appuyer dans les 10 secondes (led jaune **DL2** allumée) sur cette nouvelle touche.
04. Si l'on essaie de mémoriser une télécommande déjà présente dans la mémoire, la led verte **DL1** émet un clignotement d'avertissement.

5.3 – Effacement de tous les émetteurs mémorisés

01. Maintenir longuement la pression sur la touche **P1** de la logique de commande et observer la séquence des changements d'état de la Led verte **DL1**.
02. Au bout de 4 secondes environ, elle s'allume...
03. Au bout de 4 secondes environ, elle s'éteint...
04. Au bout de 4 secondes environ, elle commence à clignoter...
À ce point :
05. Pour effacer les émetteurs mémorisés, relâcher la touche du récepteur exactement durant le 3e clignotement de la led verte **DL1** ;
06. Pour effacer toute la mémoire (y compris les configurations et la famille de codage des émetteurs), relâcher la

touche exactement durant le 5e clignotement de la led verte **DL1**.

07. Pour n'effacer qu'un seul émetteur, relâcher la touche exactement durant le 7e clignotement, dans les dix secondes qui suivent appuyer sur une touche (*) de la télécommande qu'on désire effacer de la mémoire (led jaune **DL2** allumée), une fois que l'effacement a été effectué, la led verte **DL1** émet 5 clignotements rapides.
08. Répéter cette opération dans les dix secondes (led jaune **DL2** allumée) pour effacer une autre télécommande.

(*) **Note** Appuyer sur une touche quelconque, si l'émetteur est mémorisé en « **Mode I** » ; si l'émetteur est mémorisé en « **Mode II** », appuyer sur la touche mémorisée ; si plusieurs touches sont mémorisées, répéter la procédure pour chaque touche.

5.4 – Protocole de communication

CMD [XX] [YY] [AA] [Champ données optionnelles] [Carriage Return]

Note – Les champs sont séparés par un espace.

[CMD]	Champ à 3 caractères. Par convention, dans le cas d'envoi de commandes vers le busT4/TTBUS il sera toujours égal à « CMD ».
[XX] [YY]	Ce sont les deux champs de deux caractères chacun qui indiquent, dans l'ordre, l'adresse et le Nœud du dispositif. Ces deux champs sont obligatoires et doivent être effectués en hexadécimal.
[AA]	Champ indiquant la commande à envoyer. Il est obligatoire et doit avoir 2 caractères de long. Il représente l'ID de la commande

à envoyer selon la liste des commandes déjà énumérées (par exemple : 04 ouvre ; 05 ferme...).

[Champ données] Champ optionnel de longueur variable. Sa dimension dépend du type de commande envoyée au dispositif : il y a des commandes qui ne demanderont pas de données (la commande Ouvre par exemple), d'autres par contre oui (la commande Ouvre pourcentage par exemple).

[Carriage Return] Code décimal 13, hexadécimal 0D ; il doit toujours être présent, toute chaîne envoyée doit finir par ce caractère.

A chaque commande envoyée, l'interface doit retourner une réponse de simple réception de la commande en question (ce qui ne veut pas dire que la commande ait été effectuée par l'automatisme). Il s'agit d'une notification qui aura une structure très simple, comme celle qui suit :

RSP [XX] [YY] [ZZ] [Champ données optionnelles] [Carriage Return]

5.5 – Liste des commandes

CMD	Description
45	LECTURE DE LA POSITION percentile 0 - 255 0 = Fin de course bas 255 = Fin de course haut
04	Descente
40	Commande OUVRIER pourcentage 0 - 255 0 = Fin de course bas 255 = Fin de course haut

50	Lire émetteur en mémoire
51	Enregistrement en mémoire
60	Effacement en mémoire
65	Effacement de tous les émetteurs en mémoire
66	Effacement paramètres moteur
20	Mémorisation fin de course 0 en position actuelle
21	Mémorisation fin de course 1 en position actuelle
22	Mémorisation hauteur partielle 1 en position actuelle
23	Mémorisation hauteur partielle 2 en position actuelle
24	Mémorisation hauteur partielle 3 en position actuelle
25	Mémorisation hauteur partielle 4 en position actuelle
26	Mémorisation hauteur partielle 5 en position actuelle
27	Mémorisation hauteur partielle 6 en position actuelle
30	Effacement fin de course 0
31	Effacement fin de course 1
32	Effacement hauteur partielle 1
33	Effacement hauteur partielle 2
34	Effacement hauteur partielle 3
35	Effacement hauteur partielle 4
36	Effacement hauteur partielle 5
37	Effacement hauteur partielle 6
05	Montée
12	Manceuvrer par petits pas en montée
03	STOP

13	Manœuvrer par petits pas en descente
06	Manœuvrer à hauteur partielle 1
07	Manœuvrer à hauteur partielle 2
08	Manœuvrer à hauteur partielle 3
09	Manœuvrer à hauteur partielle 4
10	Manœuvrer à hauteur partielle 5
11	Manœuvrer à hauteur partielle 6

Note – Les commandes disponibles doivent l'être pour le moteur aussi.

5.5.1 – Commande de Manœuvre à hauteur partielle 1, 2, 3, 4, 5, 6

Après attribution d'une hauteur d'ouverture partielle, elle actionne le moteur au pourcentage sélectionné.

Structure

Start	TT ADR [XX]	TT ENDPOINT [YY]	Commande [AA]	Données	CR
CMD	IND	04	06	-	-

Le champ données est vide

Exemple

Start	TT ADR [XX]	TT ENDPOINT [YY]	Commande [AA]	Données	CR
CMD	01	04	06	-	-

Réponse

Start	TT ADR [XX]	TT ENDPOINT [YY]	Commande [AA]	Données	CR
RISP	01	04	06	-	-

5.5.2 – Commande de STOP

Arrête le moteur.

Structure

Start	TT ADR [XX]	TT ENDPOINT [YY]	Commande [AA]	Données	CR
CMD	IND	04	03	-	-

Le champ données est vide

Exemple

Start	TT ADR [XX]	TT ENDPOINT [YY]	Commande [AA]	Données	CR
CMD	01	04	06	-	-

Réponse

Start	TT ADR [XX]	TT ENDPOINT [YY]	Commande [AA]	Données	CR
RISP	01	04	06	-	-

Structure

Start	TT ADR [XX]	TT ENDPOINT [YY]	Commande [AA]	Données	CR
CMD	IND	04	05	-	-

Le champ données est vide.

Exemple

Start	TT ADR [XX]	TT ENDPOINT [YY]	Commande [AA]	Données	CR
CMD	01	04	05	-	-

Réponse

Start	TT ADR [XX]	TT ENDPOINT [YY]	Commande [AA]	Données	CR
RISP	01	04	05	-	-

5.5.4 – Commande de DESCENTE

Commande la descente du moteur jusqu'à la fin de course réglée.

Structure

Start	TT ADR [XX]	TT ENDPOINT [YY]	Commande [AA]	Données	CR
CMD	IND	04	04	-	-

Le champ données est vide.

Exemple

Start	TT ADR [XX]	TT ENDPOINT [YY]	Commande [AA]	Données	CR
CMD	01	04	04	-	-

Réponse

Start	TT ADR [XX]	TT ENDPOINT [YY]	Commande [AA]	Données	CR
RISP	01	04	04	-	-

5.5.5 – Commande Manœuvrer par petits pas en descente

Envoi d'une commande de descente. La version « step » actionne le moteur par petits pas, même au-delà de la fin de course.

Attention : il faut attribuer le sens de montée et le sens de descente après avoir réglé les fins de course.

Structure

Start	TT ADR [XX]	TT ENDPOINT [YY]	Commande [AA]	Données	CR
CMD	IND	04	13	-	-

Le champ données est vide.

Exemple

Start	TT ADR [XX]	TT ENDPOINT [YY]	Commande [AA]	Données	CR
CMD	01	04	13	-	-

Réponse

Start	TT ADR [XX]	TT ENDPOINT [YY]	Commande [AA]	Données	CR
RISP	01	04	13	-	-

5.5.6 – Commande Manœuvrer par petits pas en montée

Envoi d'une commande de montée. La version « step » actionne le moteur par petits pas, même au-delà de la fin de course.

Attention : il faut attribuer le sens de montée et le sens de descente après avoir réglé les fins de course.

Structure

Start	TT ADR [XX]	TT ENDPOINT [YY]	Commande [AA]	Données	CR
CMD	IND	04	12	-	-

Le champ données est vide.

Exemple

Start	TT ADR [XX]	TT ENDPOINT [YY]	Commande [AA]	Données	CR
CMD	01	04	12	-	-

Réponse

Start	TT ADR [XX]	TT ENDPOINT [YY]	Commande [AA]	Données	CR
RISP	01	04	12	-	-

5.5.7 – Mémorisation hauteur partielle 1, 2, 3, 4, 5, 6 et de fin de course 0 et 1

Attribuer la hauteur courante à une variable.

Structure

Start	TT ADR [XX]	TT ENDPOINT [YY]	Commande [AA]	Données	CR
CMD	IND	04	-	-	-

Le champ données est vide.

Exemple

Start	TT ADR [XX]	TT ENDPOINT [YY]	Commande [AA]	Données	CR
CMD	01	04	20	-	-

Réponse

Start	TT ADR [XX]	TT ENDPOINT [YY]	Commande [AA]	Données	CR
RISP	01	04	20	-	-

5.5.8 – Effacement hauteur partielle 1, 2, 3, 4, 5, 6 et de fin de course 0 et 1

Efface la hauteur insérée.

Structure

Start	TT ADR [XX]	TT ENDPOINT [YY]	Commande [AA]	Données	CR
CMD	IND	04	-	-	-

Le champ données est vide.

Exemple

Start	TT ADR [XX]	TT ENDPOINT [YY]	Commande [AA]	Données	CR
CMD	01	04	30	-	-

Réponse

Start	TT ADR [XX]	TT ENDPOINT [YY]	Commande [AA]	Données	CR
RISP	01	04	30	-	-

5.5.9 – Lecture de la position percentile 0 - 255 0 = Fin de course bas 255 = Fin de course haut

Lit la position courante du moteur en pourcentage.
Le champ données PP est la position percentile.

Structure

Start	TT ADR [XX]	TT ENDPOINT [YY]	Commande [AA]	Données	CR
CMD	IND	04	45	-	-

Le champ données est vide.

Exemple

Start	TT ADR [XX]	TT ENDPOINT [YY]	Commande [AA]	Données	CR
CMD	01	04	45	-	-

Réponse

Start	TT ADR [XX]	TT ENDPOINT [YY]	Commande [AA]	Données	CR
RISP	01	04	45	128	-

5.5.10 – Déplacer à la position percentile 0 - 255 0 = Fin de course bas 255 = Fin de course haut

Manœuvre le moteur à la position X.
Le champ données PP est la position percentile.

Structure

Start	TT ADR [XX]	TT ENDPOINT [YY]	Commande [AA]	Données	CR
CMD	IND	04	40	PP	-

Le champ données est vide.

Exemple

Start	TT ADR [XX]	TT ENDPOINT [YY]	Commande [AA]	Données	CR
CMD	01	04	40	25	-

Réponse

Start	TT ADR [XX]	TT ENDPOINT [YY]	Commande [AA]	Données	CR
RISP	01	04	40	25	-

5.5.11 – Commande d’effacement de tous les émetteurs en mémoire

Efface toutes les commandes radio du moteur.

Structure

Start	TT ADR [XX]	TT ENDPOINT [YY]	Commande [AA]	Données	CR
CMD	IND	04	65	-	-

Le champ données est vide.

Exemple

Start	TT ADR [XX]	TT ENDPOINT [YY]	Commande [AA]	Données	CR
CMD	01	04	65	-	-

Réponse

Start	TT ADR [XX]	TT ENDPOINT [YY]	Commande [AA]	Données	CR
RISP	01	04	65	-	-

5.5.12 – Commande d’effacement des paramètres moteur

Efface toutes les données de fin de course du moteur.

Structure

Start	TT ADR [XX]	TT ENDPOINT [YY]	Commande [AA]	Données	CR
CMD	IND	04	66	-	-

Le champ données est vide.

Exemple

Start	TT ADR [XX]	TT ENDPOINT [YY]	Commande [AA]	Données	CR
CMD	01	04	66	-	-

Réponse

Start	TT ADR [XX]	TT ENDPOINT [YY]	Commande [AA]	Données	CR
RISP	01	04	66	-	-

5.6 – Commandes de mémorisation et d’affichage de listes

Possibilité de mémoriser deux listes de commandes (30 max.). Les commandes sont ensuite exécutées en séquence quand il y a une transition en entrée du « trigger » 12V ou bien un événement « trigger » up ou down à partir d’une télécommande.

La commande à partir du port série qui permet de mémoriser les commandes qui seront effectuées quand le signal va de bas en haut est :

MEM_ON [XX] [YY] [XX1] [YY1] [...] [...] [Carriage Return]

Note – Les champs sont séparés par un espace et la chaîne finie par un Carriage Return.

Important ! – L’adresse 1 est utilisée pour envoyer les commandes au moteur mécanique.

Les champs sont :

MEM_ON C’est la chaîne qui mémorise les commandes dans la première liste.

[XX] Adresse du dispositif auquel on souhaite envoyer la commande, elle est obligatoirement composée de deux chiffres en représentation hexadécimale.

[YY] Commande que l'on souhaite envoyer au dispositif, elle est obligatoirement composée de deux chiffres selon le tableau des commandes qui précède.

Les couples successifs **[XX]** et **[YY]** représentent les autres commandes que l'on peut envoyer aux moteurs, la limite étant fixée à 30.

Par exemple, si l'on veut envoyer au dispositif 2 la commande monter, au dispositif 3 la commande fermer et au 5 la commande de Manœuvrer par petits pas en montée, la commande sera

```
MEM_ON 02 05 03 04 05 12 [Carriage Return]
```

La réponse sera du type :

```
MEM_ON 02 05 03 04 05 12
LIST TRIGGER ON:
CMD 1--> addr: 2, cmd: 5
CMD 2--> addr: 3, cmd: 4
CMD 3--> addr: 5, cmd: 12
```

La liste qui gère l'événement front descendant du « trigger » a un fonctionnement similaire sauf pour la commande, dans ce cas on obtient :

```
MEM_OFF [XX] [YY] [XX1] [YY1] [...] [...] [Carriage Return]
```

En utilisant l'exemple précédent, on obtient :

```
MEM_OFF 02 05 03 04 05 12 [Carriage Return]
```

La réponse sera du type :

```
MEM_OFF 02 05 03 04 05 12
LIST TRIGGER OFF:
CMD 1--> addr: 2, cmd: 5
CMD 2--> addr: 3, cmd: 4
CMD 3--> addr: 5, cmd: 12
```

5.7 – Afficher les listes commandes

Il est en outre possible d'afficher à l'écran les deux listes mémorisées : Il suffit de lancer la commande **LIST** suivie d'envoi pour obtenir le contenu complet des deux listes. La commande est :

```
LIST [Carriage Return]
```

Par exemple, en tapant List après avoir lancé les deux commandes précédentes, on obtiendra :

```
LIST
LIST TRIGGER ON:
CMD 1--> addr: 2, cmd: 5
CMD 2--> addr: 3, cmd: 4
CMD 3--> addr: 5, cmd: 12

LIST TRIGGER OFF:
CMD 1--> addr: 2, cmd: 5
```

CMD 2--> addr: 3, cmd: 4
CMD 3--> addr: 5, cmd: 12

5.8 – Commande pour sélectionner la durée des mouvements du moteur mécanique

Le moteur mécanique a un temps programmable pour la durée de ses mouvements. La commande devant être utilisée est :

SET_TIME [XXX] [Carriage Return]

Les champs sont séparés par un espace et la chaîne finie par un Carriage Return.

Les champs sont :

SET_TIME Commande pour sélectionner le temps.

[XXX] Valeur en secondes (240 max.).

La valeur par défaut au premier allumage est de 10 secondes et est enregistrée dans la mémoire lors de tout changement. La dernière valeur enregistrée est utilisée au rallumage suivant.

5.9 – Changer l'adresse d'un dispositif

L'adresse d'un moteur peut être sélectionnée à l'aide de la commande :

ADR [XX] [YY] [Carriage Return]

Les champs sont séparés par un espace et la chaîne finie par un Carriage Return.

Les champs sont :

[XX] Adresse actuelle du moteur, l'adresse doit être écrite obligatoirement avec deux chiffres et en format hexadécimal.

[YY] Nouvelle adresse du moteur, l'adresse doit être écrite obligatoirement avec deux chiffres et en format hexadécimal.

Par exemple, pour changer l'adresse du moteur de 03 à 07 utiliser la commande :

ADR 03 07 [Carriage Return]

5.10 – Afficher les informations sur les télécommandes mémorisées

Il est possible d'afficher des informations sur les télécommandes mémorisées à l'aide de la commande :

TLC_STATUS [Carriage Return]

Ces informations concernent le nombre de télécommandes mémorisées et le mode de fonctionnement.

On aura une réponse du type :

tlc_status

Number of remote control in mem: 3

Number of free position in mem: 29

TLC 1 : Mode 2 - Function number 1 - Key UP

TLC 2 : Mode 1

TLC 3 : Mode 2 - Function number 2 - Key DOWN

5.11 – Commandes pouvant être activées pour les interfaces domotiques

La commande active, au sein de la centrale, la transmission bidirectionnelle des informations, l’affichage des codes radio sur la porte série et transmet la position de l’automatisme pendant le mouvement.

Composer :

WEB_ON [Carriage Return]

On obtient de cette manière l’affichage des codes radio via le port série, si ils sont stockés dans la centrale, et on peut utiliser la commande pos pour déplacer de façon partielle (en pourcentage) les moteurs et de surveiller le mouvement. Pour désactiver utiliser la commande :

WEB_OFF [Carriage Return]

Ceci active l’affichage des codes.

5.11.1 – Visualisation des codes radio sur la porte série

Si le TT6 reçoit un signal radio à partir d’une télécommande mémorisée, il communique les informations suivantes, relatives à l’émetteur, via le port série.

RAD * 0003E965 0000 0100000000

Les 8 premiers chiffres représentent le code de la télécommande, les 4 suivant sont la partie variable du code de la télécommande (masqué à 0). Dans les 10 derniers

chiffres sont représentés: dans les 4 premiers la touche enfoncée, les 6 suivant sont réservés pour une utilisation future.

5.11.2 – Commande d’activation partielle (en pourcentage) du moteur

Pour déplacer les moteurs à un pourcentage de leur course totale (après réglage des fins de course) en utilise la commande :

POS > [XX] [YY] [PPPP] [ZZZZ] [TT] [Carriage Return]

Où :

[XX] Est l’adresse du moteur.

[YY] Est le nœud (pour les moteurs screen la valeur de défaut est 04).

[PPPP] Valeur en pourcentage que l’on désire atteindre, exprimée en millièmes.

[ZZZZ] [TT] Les deux derniers paramètres des moteurs screen sont mis à FF FFFF pour les développements futurs.

Par exemple, pour amener le moteur numéro 02 à une valeur intermédiaire (0500) de sa course, il faudra composer la commande comme suit :

POS # 02 04 0500 FFFF FF

Pendant le mouvement, les chaînes de caractères (messages) sont envoyés indiquant la position actuelle du moteur jusqu'à ce que soit atteinte la position demandée, sous la forme de messages asynchrones, le format est:

POS * 02 04 xxxx FFFF FF

Où **xxxx** est la position instantanée du moteur. En cas d'erreur de syntaxe de la commande le champ d'erreur sera ajouté à la réponse et sa valeur sera 01. Les champs seront remplis jusqu'au premier champ incorrect et les champs successifs contiendront la valeur 0xF, par exemple :

POS ! 02 04 FFFF FFFF FF 01

En cas de dépassement du temps (timeout) le message d'erreur aura le code 00, par exemple :

POS ! 02 04 0800 FFFF FF 00

Où **xxxx** est la position instantanée du moteur. L'automatisation n'a pas répondu à la commande envoyée.

5.11.3 – Commande de lecture de la position actuelle du moteur

Pour lire la position actuelle de l'automatisme on utilise la commande:

POS < [XX] [YY] [AAAA] [ZZZZ] [TT] [Carriage Return]

Où:

[XX]	Est l'adresse du moteur.
[YY]	Est le nœud (pour les moteurs screen la valeur de défaut est 04).
[PPPP] [ZZZZ] [TT]	Tous contenant 0xF dans le cas de la lecture.

La réponse est de type :

POS * 02 04 0500 FFFF FF

Où est indiquée la position actuelle du moteur.

5.12 – Commandes d'aide

Les deux commandes d'aide sont :

HELP	Commande pour afficher une description des commandes disponibles par port série.
HELP_TTBUS	Commande pour afficher le tableau des commandes pour le TTBus.
HELP_TLC	Commande pour afficher la liste des fonctions en mode 2.

6 – MISE AU REBUT DU PRODUIT

Ce produit fait partie intégrante de l'automatisme et doit donc être mis au rebut avec ce dernier.

Comme pour l'installation, à la fin de la durée de vie de ce produit, les opérations de démantèlement doivent être effectuées par du personnel qualifié. Ce produit est constitué de différents types de matériaux : certains peuvent être recyclés, d'autres doivent être mis au rebut. Informez-vous sur les systèmes de recyclage ou de mise au rebut prévus par les normes en vigueur dans votre région pour cette catégorie de produit.

Attention ! – Certains composants du produit peuvent contenir des substances polluantes ou dangereuses qui pourraient avoir des effets nuisibles sur l'environnement et sur la santé des personnes s'ils n'étaient pas adéquatement éliminés.

Comme l'indique le symbole ci-contre, il est interdit de jeter ce produit avec les ordures ménagères. Procéder à la « collecte différenciée » des composants pour leur traitement conformément aux méthodes prescrites par les normes locales en vigueur ou restituer le produit au vendeur lors de l'achat d'un nouveau produit équivalent.

Attention ! – Les règlements locaux en vigueur peuvent prévoir de lourdes sanctions en cas d'élimination prohibée de ce produit.



7 – CARACTÉRISTIQUES TECHNIQUES

- **Alimentation** : 110 ÷ 240 Vca 50/60 Hz
- **Courant maximum absorbé** : 80 mA en stand-by, 3 A en charge maxi
- **Codages** : FloR (rolling code)
- **Fréquence** : 433,92 MHz
- **Impédance antenne** : 52 ohms
- **Sensibilité** : supérieure à 0,5µV pour signal à bonne fin
- **Portée** : estimée à 200 m en espace libre et à 35 m à l'intérieur d'édifices
- **Nombre d'émetteurs mémorisables** : 30
- **Sortie** : 1 sortie pour le pilotage d'un moteur à deux phases
- **Capacité des contacts** : 3 A 250 V
- **Indice de protection** : IP44 (avec boîtier intact)
- **Température de fonctionnement** : -20 ÷ +55° C
- **Dimensions / poids** : 128 x 112 x 43 mm / 260 g

Notes :

– La distance de fonctionnement entre émetteurs et récepteurs (portée) est fortement influencée par d'autres dispositifs qui opèrent dans la zone et à la même fréquence (par exemple : systèmes d'alarmes, écouteurs radio, etc.). Dans ces cas-là, Nice ne peut offrir aucune garantie sur la portée réelle de ses dispositifs.

– Toutes les caractéristiques techniques se réfèrent à une température ambiante de 20°C (± 5°C).

– Nice se réserve le droit d'apporter des modifications au produit à tout moment si elle le juge nécessaire, en assurant dans tous les cas les mêmes fonctions et le même type d'utilisation prévu.

1 – ADVERTENCIAS

- **¡Atención!** Para la seguridad de las personas es importante respetar estas instrucciones.
- **¡Atención!** Instrucciones importantes para la seguridad: guarde estas instrucciones.
- **¡Atención!** Todas las operaciones de instalación, conexión, programación y mantenimiento del producto deben ser llevadas a cabo exclusivamente por un técnico cualificado y competente.
- **No modifique ninguna pieza del producto si no está previsto en este manual. Las operaciones no autorizadas pueden ser peligrosas y provocar problemas de funcionamiento. El fabricante no asumirá ninguna responsabilidad por daños originados por productos modificados arbitrariamente.**
- **¡Importante!** - No utilice líquidos que contengan alcohol, benceno, disolventes u otras sustancias inflamables. El uso de dichas sustancias podría arruinar el producto.
- Conserve con cuidado este manual para facilitar las operaciones futuras de programación o de mantenimiento del producto.
- El material de embalaje del producto debe ser eliminado respetando la normativa local.
- Utilice un paño suave y ligeramente humedecido (**no mojado**) para la limpieza superficial del producto.

2 – DESCRIPCIÓN DEL PRODUCTO Y USO PREVISTO

La central TT6 está destinada a utilizarse en sistemas de automatización para toldos, persianas, claraboyas, cortinas verticales y pantallas, y para controlar pantallas de proyección de vídeos. **¡Cualquier otra utilización debe considerarse inadecuada y está prohibida! El fabricante no responde de los daños que pudieran surgir por un uso inadecuado del producto y diferente de aquel previsto en este manual.**

El producto presenta:

- salida para pilotear un motor de dos fases (por ejemplo, One-Max, To-max o NeoM); la salida se puede activar directamente con las dos teclas: **Pup (▲)** y **Pdown (▼)**;
- interfaz TTBUS para pilotear motores Nice con sistema bus;
- interfaz RS232 para conexión a PC;
- entrada de activación (Trigger) para activar o desactivar una secuencia de motores (en correspondencia con el “trigger” de subida o bajada).

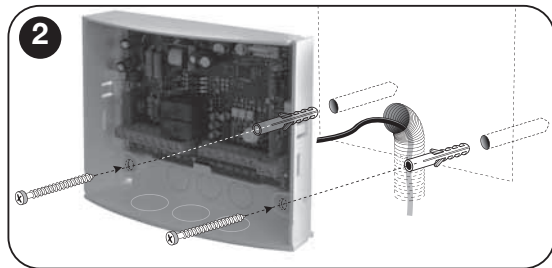
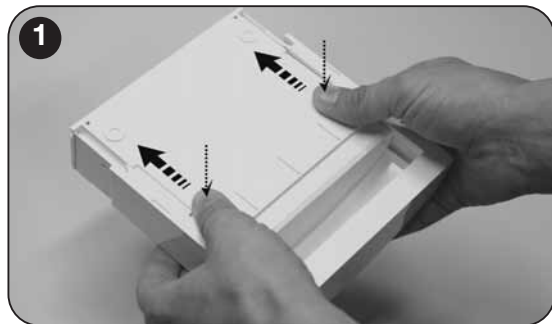
La interfaz de radio extiende las capacidades de mando del producto al telemando a través de la tecnología de radio Nice.

3 – INSTALACIÓN

01. Quite la tapa superior de la central (**fig. 1**).
02. Haga sobre la caja, donde están predispuestas las marcas, los agujeros necesarios para pasar los cables y aquellos para fijar la central en la pared. **¡Atención!** **Tome las precauciones oportunas para garantizar el grado de protección IP necesario para el tipo de instalación. En particular, prevea los prensaestopas (no incluidos) para garantizar la protección de**

los cables de alimentación y mando contra posibles tirones o torsiones.

03. Fije en la pared el contenedor de la central (fig. 2).
¡Atención! El receptor se debe orientar de manera que los cables entren en la caja sólo y exclusivamente por debajo.



4 – CONEXIONES ELÉCTRICAS

Advertencias

- Cuando conecte la antena en dotación, no altere la longitud de cable suministrada y coloque el cable en forma recta, evitando curvas excesivas.
- Si la central no estuviera en una posición favorable y la señal de radio fuera débil, para mejorar la recepción se aconseja sustituir la antena entregada con una antena exterior (mod. ABF o ABFKIT). La nueva antena debe instalarse lo más arriba posible y por encima de cualquier estructura metálica o de cemento armado presente en la zona.

4.1 – Entradas (fig. 3 y Tabla 1)

- **L** Fase eléctrica
- **N** Neutro
- **TTBUS:** (TTBUS, GND)
- **RS232** con protocolo dedicado
- **“Trigger” 5-24 Vdc** con eventos On y Off programables
 - 30+30 eventos programables
 - Evento: Dirección, mando
- **2 Entradas** para los mandos de apertura y cierre para motor mecánico de 85-265 Vac 50/60 Hz
 - Funcionamiento Abrir-STOP, Cerrar-STOP
 - Activación “ON-PRESS”

4.2 – Salidas

- Salida relé de potencia para pilotear un motor mecánico / electrónico con maniobras (subida y bajada) programables, activadas por las dos entradas de tecla Pup (▲) y Pdown (▼) del “Trigger” 12 V o vía Radio.

- Es posible variar el timer de activación entre 1 y 240 s, por medio de un mando enviado al puerto serial.
- La dirección de fabrica del motor conectado a la central es 1.

Para verificar los leds ver la **Tabla 2**.

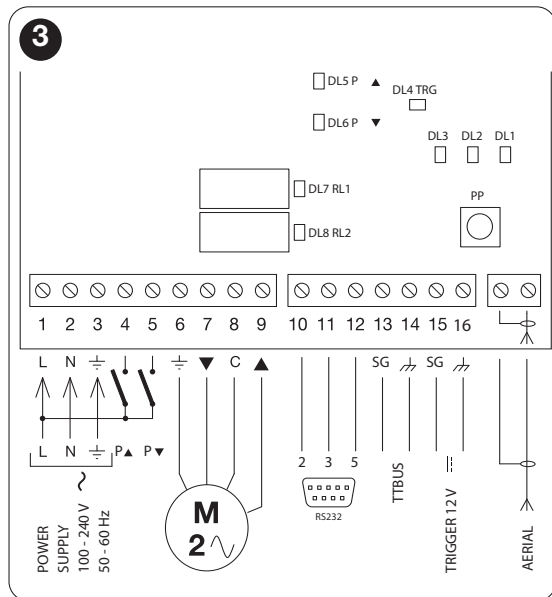


TABLA 1

Esquema de conexiones eléctricas

1	Fase eléctrica
2	Neutro
3	Tierra
4	Tecla de subida asociada al motor mecánico conectable
5	Tecla de bajada asociada al motor mecánico conectable
6	Tierra motor mecánico
7	Fase de bajada motor mecánico
8	Común del motor mecánico
9	Fase de subida motor mecánico
10	Señal de transmisión de la interfaz RS232
11	Señal de recepción de la interfaz RS232
12	Común (GND) de la señal serial RS232
13	Señal del motor con TTBUS (conductor blanco)
14	Común del motor con TTBUS (conductor blanco / negro)
15	Señal del "trigger" externo de activación (entrada con polaridad positiva)
16	Común del "trigger" externo de activación (entrada con polaridad negativa)
ANT	Entrada antena

TABLA 2 - Leds de señalización

Led	Descripción
DL1 Led rojo	Indicador alimentación.
DL2 Led amarillo	Si está encendido, está activa la memorización de los telemandos.
DL3 Led verde	Señalizaciones.
DL4	Led de indicación de "trigger" 12 V ON.
DL5, DL6 Led rojo	Indicador de apertura-cierre de teclas externas para motor mecánico.
DL7, DL8 Led rojo	Activación de relé de apertura y cierre.

5 – PROGRAMACIÓN

La central puede memorizar los transmisores en dos modalidades, **Modo I** y **Modo II**:

Modo I

- la tecla **1** gestiona la apertura durante el tiempo de maniobra (Tm) programado (máximo 240 s);
- la tecla **2** gestiona la parada;
- la tecla **3** gestiona el cierre durante el tiempo de maniobra (Tm) programado (máximo 240 s);
- la tecla **4** gestiona la parada nuevamente.

Modo II

La tecla del transmisor se puede asociar a una de las siguientes funciones:

- 1- Paso a paso

- 2- Abrir
- 3- Cerrar
- 4- Parada
- 5- Cerrar a los 10 s
- 6- Abrir a los 10 s
- 7- Cerrar a los 20 s
- 8- Abrir a los 20 s
- 9 - Cierre manual
- 10- Apertura manual
- 11- Activar situación Trigger Up
- 12- Activar situación Trigger Down
- 13- Salida de código radio en RS232

5.1 – Memorización de un transmisor en "Modo I"

01. En la central, mantenga pulsada la tecla **P1** hasta cuando se encienda el led verde **DL1** (tras unos 4 segundos) y luego suéltela; se enciende el led amarillo **DL2**.
02. En un plazo de 10 segundos, pulse y mantenga pulsada cualquier tecla del transmisor a memorizar, hasta que el led verde **DL1** de la central emita el primero de los 3 destellos que señalizan la memorización efectiva. Al terminar estos destellos, si quiere memorizar otro transmisor en "**Modo I**", pulse en un plazo de 10 segundos cualquier tecla de este nuevo transmisor. Por último, espere que el led amarillo **DL2** se apague.

¡Atención! – Si se intenta memorizar un transmisor ya presente en la memoria, el led verde **DL1** emite 1 destello como señalización.

5.2 – Memorización de un transmisor en "Modo II"

01. Seleccione en la lista del "**Modo II**" la función que quie-

- ra programar (ej. "Función 8").
02. En el receptor, pulse la tecla **P1** una cantidad de veces equivalente al número que identifica la función seleccionada (en nuestro ejemplo, 8 veces). Al terminar, el led verde **DL1** emitirá un número de destellos breves equivalente al número de veces que se pulsó la tecla (en nuestro ejemplo, 8 destellos breves);
 03. En un plazo de 10 segundos, pulse y mantenga pulsada la tecla del transmisor que se desea memorizar, hasta que el led verde **DL1** del receptor emita el primero de los 3 destellos largos que señalizan la memorización efectiva. Al terminar estos destellos, si quiere memorizar con la misma función una nueva tecla (incluso de otro transmisor), pulse en un plazo de 10 segundos (led amarillo encendido **DL2**) esta nueva tecla.
 04. Si se intenta memorizar un telemando ya presente en la memoria, el led verde **DL1** emite un destello como señalización.

5.3 – Eliminación de todos los transmisores memorizados

01. Mantenga pulsada bastante tiempo la tecla **P1** de la central y observe la secuencia de estados del led verde **DL1**.
02. A los 4 segundos se enciende...
03. A los 4 segundos se apaga...
04. A los 4 segundos comienza a destellar...
Entonces:
05. Para borrar los transmisores memorizados, suelte la tecla del receptor exactamente durante el 3er destello del led verde **DL1**;

06. Para borrar toda la memoria (incluidas las configuraciones y la familia de codificación de los transmisores), suelte la tecla exactamente durante el 5º destello del led verde **DL1**.
07. Para borrar un solo transmisor, suelte la tecla exactamente durante el 7º destello; pulse una tecla (*) en el telemando que desea borrar de la memoria en un plazo de diez segundos (led amarillo **DL2** encendido); después de la eliminación, el led verde **DL1** emite 5 destellos breves.
08. Repita la operación en un plazo de diez segundos (led amarillo **DL2** encendido) para borrar otro telemando.

(*) **Nota** si el transmisor está memorizado en "**Modo I**", pulse cualquier tecla; si está memorizado en "**Modo II**", pulse la tecla memorizada; si hubiera varias teclas memorizadas, repita el procedimiento para cada una de ellas.

5.4 – Protocolo de comunicación

CMD [XX] [YY] [AA] [Campo datos opcionales] [Carriage Return]

Nota – Los campos están separados por un espacio.

[CMD]	Campo de 3 caracteres. Por convención, los mandos enviados al bus T4/TTBUS siempre estarán en la forma "CMD".
[XX] [YY]	Son dos campos de dos caracteres cada uno que indican la dirección y el nodo del dispositivo, en ese orden. Estos dos campos son obligatorios y se deben escribir en hexadecimal.
[AA]	Campo que indica el mando a enviar. Es obligatorio y su tamaño es de 2 caracte-

res. Representa el ID del mando enviable según la lista de mandos indicada (por ejemplo: 04 abrir; 05 cerrar...).

[Campo datos] Campo opcional de tamaño variable. Su dimensión depende del tipo de mando enviado al dispositivo: hay mandos que no requieren datos (por ejemplo, el mando Abrir), y otros que sí (por ejemplo, el mando Abrir porcentaje).

[Carriage Return] Código decimal 13, hexadecimal 0D; siempre debe estar presente; cualquier cadena enviada debe terminar con ese carácter.

A cada mando enviado, la interfaz debe dar una respuesta de simple recepción del mando (esto no significa que el mando haya sido ejecutado por el sistema de automatización). Se trata de una notificación de estructura muy sencilla, a saber:

RSP [XX] [YY] [ZZ] *[Campo datos opcionales]* **[Carriage Return]**

5.5 – Lista de mandos

CMD	Descripción
45	LECTURA DE LA POSICIÓN porcentual 0 - 255 0 = Final de carrera inferior 255 = Final de carrera superior
04	Bajada

40	Bajada 0 = Final de carrera inferior 255 = Final de carrera superior
50	Leer transmisor en la memoria
51	Memorización en la memoria
60	Eliminación en la memoria
65	Eliminación de todos los transmisores en la memoria
66	Eliminación de los parámetros del motor
20	Memorización final de carrera 0 en posición actual
21	Memorización final de carrera 1 en posición actual
22	Memorización altura parcial 1 en posición actual
23	Memorización altura parcial 2 en posición actual
24	Memorización altura parcial 3 en posición actual
25	Memorización altura parcial 4 en posición actual
26	Memorización altura parcial 5 en posición actual
27	Memorización altura parcial 6 en posición actual
30	Eliminación final de carrera 0
31	Eliminación final de carrera 1
32	Eliminación altura parcial 1
33	Eliminación altura parcial 2
34	Eliminación altura parcial 3
35	Eliminación altura parcial 4
36	Eliminación altura parcial 5
37	Eliminación altura parcial 6

05	Subida
12	Mover de a pequeños pasos en subida
03	STOP
13	Mover de a pequeños pasos en bajada
06	Mover a altura parcial 1
07	Mover a altura parcial 2
08	Mover a altura parcial 3
09	Mover a altura parcial 4
10	Mover a altura parcial 5
11	Mover a altura parcial 6

Nota – Los mandos disponibles deben estar disponibles también para el motor.

5.5.1 – Mando de Mover a altura parcial 1, 2, 3, 4, 5, 6

Tras la asignación de la altura parcial, mover el motor a la altura programada.

Estructura

Start	TT ADR [XX]	TT ENDPOINT [YY]	Mando [AA]	Datos	CR
CMD	IND	04	06	-	-

El campo datos está vacío.

Ejemplo

Start	TT ADR [XX]	TT ENDPOINT [YY]	Mando [AA]	Datos	CR
CMD	01	04	06	-	-

Respuesta

Start	TT ADR [XX]	TT ENDPOINT [YY]	Mando [AA]	Datos	CR
RISP	01	04	06	-	-

5.5.2 – Mando de STOP

Para el motor.

Estructura

Start	TT ADR [XX]	TT ENDPOINT [YY]	Mando [AA]	Datos	CR
CMD	IND	04	03	-	-

El campo datos está vacío.

Ejemplo

Start	TT ADR [XX]	TT ENDPOINT [YY]	Mando [AA]	Datos	CR
CMD	01	04	06	-	-

Respuesta

Start	TT ADR [XX]	TT ENDPOINT [YY]	Mando [AA]	Datos	CR
RISP	01	04	06	-	-

5.5.3 – Mando de SUBIDA

Controla la subida del motor hasta el final de carrera configurado.

Estructura

Start	TT ADR [XX]	TT ENDPOINT [YY]	Mando [AA]	Datos	CR
CMD	IND	04	05	-	-

El campo datos está vacío.

Ejemplo

Start	TT ADR [XX]	TT ENDPOINT [YY]	Mando [AA]	Datos	CR
CMD	01	04	05	-	-

Respuesta

Start	TT ADR [XX]	TT ENDPOINT [YY]	Mando [AA]	Datos	CR
RISP	01	04	05	-	-

5.5.4 – Mando de BAJADA

Controla la bajada del motor hasta el final de carrera configurado.

Estructura

Start	TT ADR [XX]	TT ENDPOINT [YY]	Mando [AA]	Datos	CR
CMD	IND	04	04	-	-

El campo datos está vacío.

Ejemplo

Start	TT ADR [XX]	TT ENDPOINT [YY]	Mando [AA]	Datos	CR
CMD	01	04	04	-	-

Respuesta

Start	TT ADR [XX]	TT ENDPOINT [YY]	Mando [AA]	Datos	CR
RISP	01	04	04	-	-

5.5.5 – Mando de Mover de a pequeños pasos en bajada

Envía un mando de bajada. La versión “step” mueve el motor con breves pasos, incluso después del final de carrera.

Atención: el sentido de subida y de bajada se asigna correctamente después de configurar el final de carrera.

Estructura

Start	TT ADR [XX]	TT ENDPOINT [YY]	Mando [AA]	Datos	CR
CMD	IND	04	13	-	-

El campo datos está vacío.

Ejemplo

Start	TT ADR [XX]	TT ENDPOINT [YY]	Mando [AA]	Datos	CR
CMD	01	04	13	-	-

Respuesta

Start	TT ADR [XX]	TT ENDPOINT [YY]	Mando [AA]	Datos	CR
RISP	01	04	13	-	-

5.5.6 – Mando de Mover de a pequeños pasos en subida

Envía un mando de subida. La versión “step” mueve el motor con breves pasos, incluso después del final de carrera.

Atención: el sentido de subida y de bajada se asigna correctamente después de configurar el final de carrera.

Estructura

Start	TT ADR [XX]	TT ENDPOINT [YY]	Mando [AA]	Datos	CR
CMD	IND	04	12	-	-

El campo datos está vacío.

Ejemplo

Start	TT ADR [XX]	TT ENDPOINT [YY]	Mando [AA]	Datos	CR
CMD	01	04	12	-	-

Respuesta

Start	TT ADR [XX]	TT ENDPOINT [YY]	Mando [AA]	Datos	CR
RISP	01	04	12	-	-

5.5.7 – Memorización altura parcial 1, 2, 3, 4, 5, 6 y altura final de carrera 0 y 1

Asigna la altura corriente a una variable.

Estructura

Start	TT ADR [XX]	TT ENDPOINT [YY]	Mando [AA]	Datos	CR
CMD	IND	04	-	-	-

El campo datos está vacío.

Ejemplo

Start	TT ADR [XX]	TT ENDPOINT [YY]	Mando [AA]	Datos	CR
CMD	01	04	20	-	-

Respuesta

Start	TT ADR [XX]	TT ENDPOINT [YY]	Mando [AA]	Datos	CR
RISP	01	04	20	-	-

5.5.8 – Eliminación altura parcial 1, 2, 3, 4, 5, 6 y altura final de carrera 0 y 1

Borra la altura introducida.

Estructura

Start	TT ADR [XX]	TT ENDPOINT [YY]	Mando [AA]	Datos	CR
CMD	IND	04	-	-	-

El campo datos está vacío.

Ejemplo

Start	TT ADR [XX]	TT ENDPOINT [YY]	Mando [AA]	Datos	CR
CMD	01	04	30	-	-

Respuesta

Start	TT ADR [XX]	TT ENDPOINT [YY]	Mando [AA]	Datos	CR
RISP	01	04	30	-	-

5.5.9 – Lectura de la posición porcentual 0 - 255 0 = Final de carrera inferior 255 = Final de carrera superior

Lee la posición corriente del motor de modo porcentual.
El campo datos PP es la Posición Porcentual.

Estructura

Start	TT ADR [XX]	TT ENDPOINT [YY]	Mando [AA]	Datos	CR
CMD	IND	04	45	-	-

El campo datos está vacío.

Ejemplo

Start	TT ADR [XX]	TT ENDPOINT [YY]	Mando [AA]	Datos	CR
CMD	01	04	45	-	-

Respuesta

Start	TT ADR [XX]	TT ENDPOINT [YY]	Mando [AA]	Datos	CR
RISP	01	04	45	128	-

5.5.10 – Mover a la posición porcentual 0 - 255 0 = Final de carrera inferior 255 = Final de carrera superior

Mueve el motor a la posición X.
El campo datos PP es la Posición Porcentual.

Estructura

Start	TT ADR [XX]	TT ENDPOINT [YY]	Mando [AA]	Datos	CR
CMD	IND	04	40	PP	-

El campo datos está vacío.

Ejemplo

Start	TT ADR [XX]	TT ENDPOINT [YY]	Mando [AA]	Datos	CR
CMD	01	04	40	25	-

Respuesta

Start	TT ADR [XX]	TT ENDPOINT [YY]	Mando [AA]	Datos	CR
RISP	01	04	40	25	-

5.5.11 – Mando de Eliminación de todos los transmisores en la memoria

Borra todos los mandos de radio del motor.

Estructura

Start	TT ADR [XX]	TT ENDPOINT [YY]	Mando [AA]	Datos	CR
CMD	IND	04	65	-	-

El campo datos está vacío.

Ejemplo

Start	TT ADR [XX]	TT ENDPOINT [YY]	Mando [AA]	Datos	CR
CMD	01	04	65	-	-

Respuesta

Start	TT ADR [XX]	TT ENDPOINT [YY]	Mando [AA]	Datos	CR
RISP	01	04	65	-	-

5.5.12 – Mando de Eliminación de los parámetros del motor

Borra todos los datos de final de carrera del motor.

Estructura

Start	TT ADR [XX]	TT ENDPOINT [YY]	Mando [AA]	Datos	CR
CMD	IND	04	66	-	-

El campo datos está vacío.

Ejemplo

Start	TT ADR [XX]	TT ENDPOINT [YY]	Mando [AA]	Datos	CR
CMD	01	04	66	-	-

Respuesta

Start	TT ADR [XX]	TT ENDPOINT [YY]	Mando [AA]	Datos	CR
RISP	01	04	66	-	-

5.6 – Mandos para memorizar y visualizar listas

Se pueden memorizar dos listas de mandos (máx. 30). Los mandos se ejecutan en secuencia cuando se produce una transición del “trigger” 12V en entrada o el evento trigger up o down desde el telemando.

El mando de señal serie para memorizar los mandos que se ejecuten cuando la señal vaya de abajo hacia arriba será:

MEM_ON [XX] [YY] [XX1] [YY1] [...] [...] [Carriage Return]

Nota – Los campos están separados por un espacio y la cadena termina con [Carriage Return].

¡Importante! – La dirección 1 se utiliza para enviar mandos al motor mecánico.

Los campos son:

MEM_ON Es la cadena que memoriza los mandos en la primera lista.

[XX] Dirección del dispositivo al que se desea enviar el mando; se compone obligatoriamente de dos cifras con representación hexadecimal.

[YY] Mando que se desea enviar al dispositivo; se compone obligatoriamente de dos cifras según la tabla de mandos anterior.

Los siguientes pares **[XX]** y **[YY]** representan los otros N mandos que se pueden enviar a los motores, con un límite de 30.

Por ejemplo, si se desea enviar al dispositivo 2 el mando Subir, al dispositivo 3 el mando Cerrar y al 5 el mando Mover de a pequeños pasos en subida, el mando será:

```
MEM_ON 02 05 03 04 05 12 [Carriage Return]
```

La respuesta será del tipo:

```
MEM_ON 02 05 03 04 05 12
LIST TRIGGER ON:
CMD 1--> addr: 2, cmd: 5
CMD 2--> addr: 3, cmd: 4
CMD 3--> addr: 5, cmd: 12
```

La lista que gestiona el evento del frente de bajada del “trigger” tiene un funcionamiento análogo, salvo por el mando, que en este caso es:

```
MEM_OFF [XX] [YY] [XX1] [YY1] [...] [...] [Carriage Return]
```

Utilizando el ejemplo anterior tenemos:

```
MEM_OFF 02 05 03 04 05 12 [Carriage Return]
```

La respuesta será del tipo:

```
MEM_OFF 02 05 03 04 05 12
LIST TRIGGER OFF:
CMD 1--> addr: 2, cmd: 5
CMD 2--> addr: 3, cmd: 4
CMD 3--> addr: 5, cmd: 12
```

5.7 – Visualizar las listas de mandos

Existe además la posibilidad de ver en pantalla las dos listas memorizadas. Es suficiente impartir el mando **LIST** seguido de Intro para ver las dos listas. El mando es:

```
LIST [Carriage Return]
```

Por ejemplo, si se introduce la palabra List después de impartir los dos mandos anteriores, tendremos:

```
LIST
LIST TRIGGER ON:
CMD 1--> addr: 2, cmd: 5
CMD 2--> addr: 3, cmd: 4
CMD 3--> addr: 5, cmd: 12
LIST TRIGGER OFF:
CMD 1--> addr: 2, cmd: 5
```

CMD 2--> addr: 3, cmd: 4
CMD 3--> addr: 5, cmd: 12

5.8 – Mando para programar la duración de los movimientos del motor mecánico

Es posible programar la duración de los movimientos del motor mecánico. El mando que se utiliza es:

SET_TIME [XXX] [Carriage Return]

Los campos están separados por un espacio y la cadena termina con [Carriage Return].

Los campos son:

SET_TIME Mando para programar el tiempo.

[XXX] Valor en segundos (máx 240).

El valor predeterminado al primer encendido es 10 segundos; el valor programado se guarda en la memoria a cada cambio.

Al encendido siguiente se utiliza el último valor guardado.

5.9 – Cambiar la dirección de un dispositivo

Es posible configurar la dirección de un motor con el mando:

ADR [XX] [YY] [Carriage Return]

Los campos están separados por un espacio y la cadena termina con [Carriage Return].

Los campos son:

[XX] Dirección actual del motor; la dirección debe ser obligatoriamente de dos cifras en formato hexadecimal.

[YY] Nueva dirección del motor; la dirección debe ser obligatoriamente de dos cifras en formato hexadecimal.

Por ejemplo, para cambiar la dirección del motor de 03 a 07, utilizar el mando.

ADR 03 07 [Carriage Return]

5.10 – Visualizar información sobre los telemandos memorizados

Es posible visualizar información sobre los telemandos memorizados utilizando el mando:

TLC_STATUS [Carriage Return]

La información consiste en el número de telemandos memorizados y el modo de funcionamiento.

La respuesta será del tipo:

tlc_status

Number of remote control in mem: 3

Number of free position in mem: 29

TLC 1 : Mode 2 - Function number 1 - Key UP

TLC 2 : Mode 1

TLC 3 : Mode 2 - Function number 2 - Key DOWN

5.11 – Comandos activables a través de interfaces domóticas

En la central la transmisión bidireccional de información, el comando activa la visualización de los códigos de radio a través del puerto serie y la transmisión de la posición del sistema de automatización durante el movimiento.

Teclée:

WEB_ON [Carriage Return]

De esta forma, se activa la visualización de los códigos de radio a través del puerto serie en caso de que aquellos estén memorizados en la central y, además, se puede utilizar el comando POS para mover los motores en porcentajes y supervisar el movimiento.

Para desactivar este modo, utilice el mando:

WEB_OFF [Carriage Return]

De esta forma, se activa la visualización de los códigos.

5.11.1 – Visualización de los códigos de radio a través del puerto serie

Si TT6 recibe una señal de radio de uno de los telecomandos memorizados, transmite la siguiente información a través del puerto serie relativa al transmisor.

RAD * 0003E965 0000 0100000000

Las primeras 8 cifras representan el código del telecomando y las 4 siguientes representan la parte variable del código del

telecomando (completadas con ceros). En las últimas 10 cifras se representa lo siguiente: la sucesión de teclas pulsadas en los 4 primeros números, mientras que los 6 siguientes se reservan para futuros usos.

5.11.2 – Mando para mover el motor mediante porcentajes

Para mover los motores a un porcentaje de su recorrido total (después de haber configurado los topes), se usa el mando:

POS > [XX] [YY] [PPPP] [ZZZZ] [TT] [Carriage Return]

Donde:

[XX] Es la dirección del motor.

[YY] Es el nodo (para los motores de persiana, el valor predeterminado es 04).

[PPPP] Valor porcentual que se desea alcanzar, expresado en milésimas.

[ZZZZ] [TT] Los dos últimos parámetros en los motores de persiana se configuran en FFFF y FF para futuros desarrollos.

Por ejemplo, para configurar el motor número 02 en el valor intermedio (0500) de su recorrido, la sintaxis del comando debe ser la siguiente:

POS # 02 04 0500 FFFF FF

Durante el movimiento, se envían los parámetros con la posición actual del motor hasta alcanzar la posición solicitada en forma de mensajes asíncronos; el formato es:

POS * 02 04 xxxx FFFF FF

Donde **xxxx** se corresponde con la posición instantánea del motor.

En el caso de que se produzca un error de la sintaxis del comando, se añade el campo error a la respuesta con el valor 01 y los campos se rellenarán hasta llegar al primer campo erróneo y los siguientes se rellenarán con 0xF; por ejemplo:

POS ! 02 04 FFFF FFFF FF 01

En caso de que se agote el tiempo de espera, el valor del código de error será 00; por ejemplo:

POS ! 02 04 0800 FFFF FF 00

Donde **xxxx** se corresponde con la posición instantánea del motor.

El sistema de automatización no ha respondido al comando enviado.

5.11.3 – Mando para la lectura de la posición actual del motor

Para leer la posición actual del sistema de automatización, se usa el mando:

POS < [XX] [YY] [AAAA] [ZZZZ] [TT] [Carriage Return]

Donde:

[XX]	Es la dirección del motor.
[YY]	Es el nodo (para los motores de persiana, el valor predeterminado es 04).
[PPPP] [ZZZZ] [TT]	Todos completados con 0xF en el caso de lectura.

El tipo de respuesta es:

POS * 02 04 0500 FFFF FF

Donde se indica la posición actual del motor.

5.11 – Mandos de ayuda

Los dos mandos de ayuda son:

HELP	Mando para visualizar una descripción de los mandos disponibles vía serie.
HELP_TTBUS	Mando para visualizar la tabla de los mandos para el TTBUS.
HELP_TLC	Mando para visualizar la lista de las funciones en modo 2.

6 – ELIMINACIÓN DEL PRODUCTO

Este producto forma parte de la automatización y, por consiguiente, debe eliminarse junto con ella.

Al final de la vida útil de este producto, las operaciones de desguace deben ser efectuadas por personal experto, al igual que las operaciones de instalación. Este producto está formado de varios tipos de materiales: algunos pueden reciclarse y otros deben eliminarse. Infórmese sobre los sistemas de reciclado o de eliminación previstos por las normativas locales vigentes para esta categoría de producto.

¡Atención! – Algunas piezas del producto pueden contener sustancias contaminantes o peligrosas que, si se las abandona en el medio ambiente, podrían provocar efectos perjudiciales para el medio ambiente y para la salud humana.

Tal como indica el símbolo al lado, está prohibido arrojar este producto entre los residuos urbanos. Realice la “recogida selectiva” para la eliminación, según los métodos previstos por las normativas locales vigentes, o bien entregue el producto al vendedor cuando compre un nuevo producto equivalente.

¡Atención! – Las reglas locales pueden prever sanciones importantes en caso de eliminación abusiva de este producto.



7 – CARACTERÍSTICAS TÉCNICAS

- **Alimentación:** 110 ÷ 240 Vac 50/60 Hz
- **Corriente máxima absorbida:** 80 mA en stand-by, 3 A a máxima carga
- **Códigos:** FloR (rolling code)
- **Frecuencia:** 433.92 MHz
- **Impedancia antena:** 52 ohmios
- **Sensibilidad:** más de 0,5 V para señal a buen fin
- **Alcance:** estimado en 200 m en espacio libre y en 35 m dentro de edificios
- **Nº transmisores memorizables:** 30
- **Salida:** 1 salida para el pilotaje de un motor de dos fases
- **Capacidad de los contactos:** 3 A - 250 V
- **Grado de protección:** IP44 (con la caja íntegra)
- **Temperatura de funcionamiento:** -20 ÷ +55° C
- **Medidas / peso:** 128 x 112 x 43 mm / 260 g

Notas:

- La distancia de funcionamiento entre transmisores y receptores (alcance) depende en gran medida de los otros dispositivos que funcionan en la zona y a la misma frecuencia (por ejemplo: sistemas de alarma, auriculares de radio, etc.). En estos casos, Nice no ofrece ninguna garantía sobre el alcance real de sus dispositivos.
- Todas las características técnicas indicadas se refieren a una temperatura ambiente de 20°C (± 5°C).
- Nice se reserva el derecho de modificar el producto en cualquier momento, manteniendo las mismas funcionalidades y el mismo uso previsto.

1 – HINWEISE

- **Achtung!** - Für die Sicherheit der Personen ist es wichtig, diese Anweisungen zu befolgen.
- **Achtung!** - Für die Sicherheit wichtige Anweisungen: Bitte aufbewahren.
- **Achtung!** - Alle Installations-, Anschluss-, Programmierungs- und Wartungsarbeiten dürfen ausschließlich von einem qualifizierten Techniker ausgeführt werden!
- **Nehmen Sie keine Änderungen an den Produktteilen vor, es sei denn, sie sind in diesem Handbuch vorgesehen. Nicht genehmigte Arbeiten können Gefahren und Störungen hervorrufen. Der Hersteller haftet nicht für Schäden, die durch eigenmächtige Änderungen an den Produkten entstehen.**
- **Wichtig!** - Verwenden Sie keine Flüssigkeiten, die Alkohol, Benzol, Verdünnungsmittel oder sonstige entzündbare Stoffe enthalten. Der Gebrauch dieser Stoffe könnte das Produkt beschädigen.
- Das vorliegende Handbuch sorgfältig aufbewahren, um zukünftige Programmierungs- oder Wartungsarbeiten am Produkt zu erleichtern.
- Das Verpackungsmaterial des Produktes muss unter Beachtung der örtlichen Vorschriften entsorgt werden.
- Reinigen Sie die Oberflächen des Produktes mit einem weichen, leicht feuchten Tuch (**nicht nass!**).

2 – PRODUKTBESCHREIBUNG UND VERWENDUNGSZWECK

Die Steuerung TT6 ist für eine Verwendung in Automatisierungsanlagen bei Markisen, Rollläden, Dachfenstern, Vertikaljalousien, Verdunkelungsrollos sowie für Leinwände zur Videovorführung bestimmt. **Jeder andere Gebrauch ist unsachgemäß und untersagt! Der Hersteller haftet nicht für Schäden, die durch missbräuchliche, nicht im vorliegenden Handbuch vorgesehene Verwendung entstehen.**

Das Produkt besteht aus folgenden Bauteilen:

- Ausgang zur Steuerung eines 2-Phasen-Motors (beispielsweise One-Max, To-max oder NeoM); der Ausgang kann direkt mithilfe der zwei vorhandenen Schalter aktiviert werden: **Pup** (▲) und **Pdown** (▼);
- TTBUS-Schnittstelle, zur Steuerung der Nice-Motoren mit Bus-System
- RS232-Schnittstelle zur Verbindung mit dem PC
- Aktivierungseingang (Trigger), um eine Motoresequenz zu aktivieren oder deaktivieren (am Trigger zum Hoch- oder Herunterfahren).

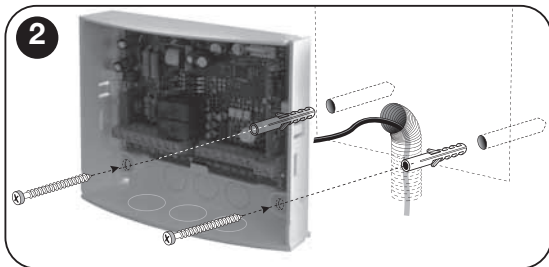
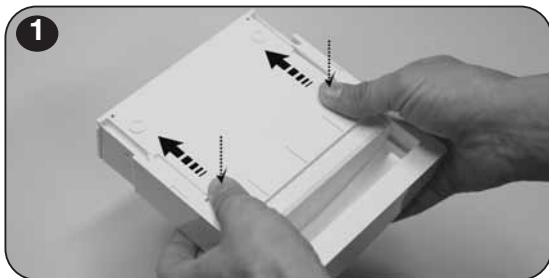
Die Funkschnittstelle ermöglicht die Fernsteuerung des Produkts durch die Nice-Funktechnologie.

3 – INSTALLATION

- 01.** Den oberen Deckel der Steuerung entfernen (**Abb. 1**).
- 02.** Am Behälter an den angebrachten Zeichen die erforderlichen Bohrungen zum Kabeldurchgang und zur Befestigung der Steuerung an der Wand ausführen. **Achtung! Die entsprechenden Vorsichtsmaßnahmen treffen, um die vom Installationstyp geforderte IP-Schutz-**

art zu garantieren. Insbesondere sind Kabelhalter (nicht mitgeliefert) vorzusehen, um den Schutz der Speise- und Steuerkabel vor einem möglichem Verziehen oder Verdrehen zu gewährleisten.

03. Den Behälter der Steuerung an der Wand befestigen (Abb. 2). **Achtung!** – Der Empfänger muss so ausgerichtet werden, dass die Kabel nur von unten in den Behälter eingeführt werden.



4 – ELEKTRISCHE ANSCHLÜSSE

Hinweise

- Beim Anschluss der mitgelieferten Antenne das Kabel in der gelieferten Länge lassen und gerade ausrichten; starke Biegungen sind zu vermeiden.
- Wenn sich die Steuerung in einer ungünstigen Position befindet und das Funksignal schwach ist, empfiehlt es sich zur Verbesserung des Empfangs, die mitgelieferte Antenne durch eine externe Antenne zu ersetzen (Mod. ABF oder ABFKIT). Die neue Antenne muss so hoch wie möglich und oberhalb eventueller Metallstrukturen oder Betonbauten in der Umgebung angebracht werden.

4.1 – Eingänge (Abb. 3 und Tabelle 1)

- **L** Stromleiter
- **N** Nullleiter
- **TTBUS**: (TTBUS, GND)
- **RS232** mit entsprechendem Protokoll
- **Trigger 5-24 V DC** mit programmierbaren ON- und OFF-Ereignissen
 - 30+30 programmierbare Ereignisse
 - Ereignis: Adresse, Steuerung
- **2 Eingänge** für Öffnungs-/Schließ-Befehle für mechanischen Motor mit 85-265 V AC 50/60 Hz
 - Öffnen-STOPP / Schließen-STOPP-Betrieb
 - ON-PRESS-Aktivierung

4.2 – Ausgänge

- Leistungsausgangsrelais zur Steuerung eines mechanischen/elektronischen Motors mit programmierbaren Steue-

- rungen (Hoch- und Herunterfahren), aktiviert von zwei Pup- (▲) und Pdown (▼)-Tastern des 12 V-Triggers oder per Funk.
- Über einen seriellen Anschluss mit interner Steuerung kann der Aktivierungstimer von 1 s bis 240 s verändert werden.
 - Die Default-Adresse des an die Zentrale angeschlossenen Motors ist 1.

Zum Prüfen der vorhandenen Leds siehe **Tabelle 2**.

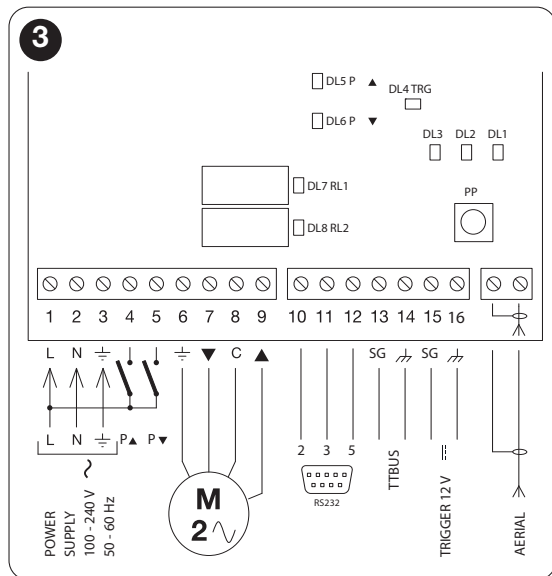


TABELLE 1

Plan der elektrischen Anschlüsse

1	Stromleiter
2	Nullleiter
3	Erde
4	Taste zum Hochfahren, verbunden mit einem anschließbaren mechanischen Motor
5	Taste zum Herunterfahren, verbunden mit einem anschließbaren mechanischen Motor
6	Erde mechanischer Motor
7	Phase Herunterfahren des mechanischen Motors
8	Basisschaltung des mechanischen Motors
9	Phase Hochfahren des mechanischen Motors
10	TX-Signal der Schnittstelle RS232
11	RX-Signal der Schnittstelle RS232
12	Basisschaltung (GND) des seriellen Signals RS232
13	Signal des Motors mit TTBUS (weißes Kabel)
14	Basisschaltung des Motors mit TTBUS (weißes/schwarzes Kabel)
15	Signal des externen Aktivierungstriggers (Eingang mit positiver Polarität)
16	Basisschaltung des externen Aktivierungstriggers (Eingang mit negativer Polarität)
ANT	Eingang Antenne

TABELLE 2 – Anzeige-Leds

Led	Beschreibung
DL1 Rote Led	Anzeige Stromversorgung.
DL2 Gelbe Led	Falls eingeschaltet, ist die Speicherung der Sender aktiviert.
DL3 Grüne Led	Anzeigen.
DL4	Led zur Anzeige des ON-Status des 12 V-Triggers.
DL5, DL6 Rote Led	Anzeige zum Öffnen-/Schließen der externen Schalter für den mechanischen Motor.
DL7, DL8 Rote Led	Aktivierung Öffnungs-/Schließrelais.

5 – PROGRAMMIERUNG

Die Steuerung kann die Sender in zwei Modalitäten speichern, **Modus I** und **Modus II**:

Modus I

- Taste **1** steuert die Öffnung für die vorgegebene Schaltzeit (Tm, maximal 240 Sek.);
- Taste **2** steuert den Stopp;
- Taste **3** steuert die Schließung für die vorgegebene Schaltzeit (Tm, maximal 240 Sek.);
- Taste 4 steuert erneut den Stopp.

Modus II

Die Taste des Senders kann mit einer der folgenden Funktionen verbunden werden:

- 1- Schritt für Schritt
- 2- Öffnen

- 3- Schließen
- 4- Stopp
- 5- Schließen nach 10 Sek.
- 6- Öffnen nach 10 Sek.
- 7- Schließen nach 20 Sek.
- 8- Öffnen nach 20 Sek.
- 9 - Schließen Totmann-Modus
- 10- Öffnen Totmann-Modus
- 11- Aktiviert Trigger Up-Szenarium
- 12- Aktiviert Trigger Down-Szenarium
- 13- Ausgang Funk-Code auf RS232

5.1 – Speichern eines Senders im Modus I

- 01.** Die Taste **P1** an der Steuerung gedrückt halten, bis die grüne Led **DL1** (nach circa 4 Sekunden) aufleuchtet. Nach Loslassen der Taste schaltet sich die gelbe Led **DL2** ein.
- 02.** Innerhalb von 10 Sekunden am zu speichernden Sender eine beliebige Taste drücken und gedrückt halten, bis die grüne Led **DL1** an der Steuerung zum ersten Mal (insgesamt 3 Mal) aufblinkt und so die erfolgte Speicherung anzeigt. Wenn nach dem Aufblinken ein anderer Sender im **Modus I** gespeichert werden soll, innerhalb von 10 Sekunden eine beliebige Taste dieses neuen Senders drücken. Schließlich das Ausschalten der gelben Led **DL2** abwarten.

Achtung! – Falls versucht wird, einen bereits im Speicher vorhandenen Sender abzuspeichern, leuchtet die grüne Led **DL1** 1 Mal zur Anzeige auf.

5.2 – Speichern eines Senders im Modus II

- 01.** In der Auflistung von **Modus II** die zu programmierende Funktion wählen (Bsp.: Funktion 8).

02. Am Empfänger die Taste **P1** so oft drücken, wie es der Kennzahl der gewählten Funktion entspricht (in unserem Beispiel 8 Mal). Bei Beendigung blinkt die grüne Led **DL1** so oft kurz auf, wie die Taste gedrückt wurde (in unserem Beispiel 8 Mal).
03. Innerhalb von 10 Sekunden die Taste am Sender, die gespeichert werden soll, gedrückt halten, bis die grüne Led **DL1** des Empfängers zum ersten Mal (insgesamt 3 Mal) lange aufblinkt und so die erfolgte Speicherung anzeigt. Wenn nach dem Aufblinken eine neue Taste mit derselben Funktion (auch eines anderen Senders) gespeichert werden soll, muss diese neue Taste innerhalb von 10 Sekunden gedrückt werden (die gelbe Led **DL2** schaltet sich ein).
04. Falls versucht wird, einen bereits im Speicher vorhandenen Sender abzuspeichern, blinkt die grüne Led **DL1** zur Anzeige auf.

5.3 – Löschen aller gespeicherten Sender

01. Die Taste **P1** der Steuerung lange gedrückt halten und die Änderung des Betriebsstatus beobachten, den die grüne Led **DL1** jeweils annimmt:
02. Nach circa 4 Sekunden, schaltet sich ... ein.
03. Nach circa 4 Sekunden, schaltet sich ... aus
04. Nach circa 4 Sekunden, beginnt ... aufzublinken.
Nun:
05. Zum Löschen der gespeicherten Sender die Taste des Empfängers **exakt beim 3. Aufblinken** der grünen Led **DL1** loslassen;
06. Zum Löschen des ganzen Speichers (einschließlich Konfigurationen und Codierungsfamilie der Sender) die Taste **exakt beim 5. Aufblinken** der grünen Led **DL1** loslassen.

07. Zum Löschen eines einzelnen Senders die Taste **exakt beim 7. Aufblinken** loslassen; anschließend innerhalb von zehn Sekunden eine Taste (*) auf dem Sender drücken, der im Speicher gelöscht werden soll (die gelbe Led **DL2** schaltet sich ein). Bei erfolgter Löschung blinkt die grüne Led **DL1** 5 Mal schnell auf.
08. Den Vorgang innerhalb von zehn Sekunden wiederholen (die gelbe Led **DL2** schaltet sich ein), um einen weiteren Sender zu löschen.

(* **Hinweis** Wenn der Sender im **Modus I** gespeichert ist, eine beliebige Taste drücken; falls er im **Modus II** gespeichert ist, die gespeicherte Taste drücken. Falls mehrere gespeicherte Tasten vorliegen, den Vorgang für jede einzelne Taste wiederholen.

5.4 – Kommunikationsprotokoll

CMD [XX] [YY] [AA] [Feld Optionsdaten] [Carriage Return]

Hinweis – Die Felder sind durch ein Leerzeichen von einander getrennt.

[CMD]	Feld mit 3 Zeichen. Im Fall des Sendens von Befehlen zum BusT4/TTBUS wird das Feld konventionsgemäß immer CMD sein.
[XX] [YY]	Zwei Felder mit zwei Zeichen, die jeweils in Reihenfolge die Adresse und den Knotenpunkt der Vorrichtung anzeigen. Diese beiden Felder sind Pflichtfelder und müssen hexadezimal geschrieben werden.
[AA]	Feld, das den zu sendenden Befehl anzeigt. Es handelt sich um ein Pflichtfeld mit der Länge von zwei Zeichen,

das die ID des zu sendenden Befehls gemäß der bereits aufgelisteten Befehlsliste anzeigt (beispielsweise: 04 Öffnen; 05 Schließen...).

[Datenfeld]

Optionales Feld veränderlicher Länge. Seine Größe hängt von dem zur Vorrichtung gesandten Befehlstyp ab: es wird Befehle geben, die keine Daten verlangen (beispielsweise der Befehl Öffnen), und andere, die Daten benötigen (z. B. der Befehl Öffnen Prozentsatz).

[Carriage Return]

Dezimalcode 13, Sedezimalcode 0D; muss immer vorhanden sein, jeder gesandte String endet mit diesem Zeichen.

Bei jedem gesandten Befehl muss die Schnittstelle eine Antwort zum Empfang des Befehls selbst zurücksenden (was nicht bedeutet, dass der Befehl von der Automatisierung ausgeführt wurde). Es handelt sich um eine Meldung mit einem sehr einfachen Konstrukt, etwa folgendermaßen:

RSP [XX] [YY] [ZZ] [Feld optionale Daten] [Carriage Return]

5.5 – Befehlsliste

CMD	Beschreibung
45	POSITIONSANZEIGE Prozentsatz 0 - 255 0 = niedriger Endschalter 255 = hoher Endschalter
04	Down-Bewegung

40	Befehl ÖFFNEN Prozentsatz 0 - 255 0 = niedriger Endschalter 255 = hoher Endschalter
50	Sender im Speicher lesen
51	Im Speicher abspeichern
60	Löschen im Speicher
65	Löschen aller Sender im Speicher
66	Löschen der Motor-Parameter
20	Endschalter 0 in derzeitiger Position speichern
21	Endschalter 1 in derzeitiger Position speichern
22	Teilhöhe 1 in derzeitiger Position speichern
23	Teilhöhe 2 in derzeitiger Position speichern
24	Teilhöhe 3 in derzeitiger Position speichern
25	Teilhöhe 4 in derzeitiger Position speichern
26	Teilhöhe 5 in derzeitiger Position speichern
27	Teilhöhe 6 in derzeitiger Position speichern
30	Endschalter 0 löschen
31	Endschalter 1 löschen
32	Teilhöhe 1 löschen
33	Teilhöhe 2 löschen
34	Teilhöhe 3 löschen
35	Teilhöhe 4 löschen
36	Teilhöhe 5 löschen
37	Teilhöhe 6 löschen
05	Up-Bewegung

12	Up-Bewegung in kleinen Schritten
03	STOPP
13	Down-Bewegung in kleinen Schritten
06	Zur Teilhöhe 1 bewegen
07	Zur Teilhöhe 2 bewegen
08	Zur Teilhöhe 3 bewegen
09	Zur Teilhöhe 4 bewegen
10	Zur Teilhöhe 5 bewegen
11	Zur Teilhöhe 6 bewegen

Hinweis – Die verfügbaren Befehle müssen auch für den Motor zur Verfügung stehen.

5.5.1 – Bewegungsbefehl mit Teilhöhe 1, 2, 3, 4, 5, 6

Nach Zuweisung der Teilhöhe wird der Motor auf die festgelegte Höhe bewegt.

Struktur

Start	TT ADR [XX]	TT ENDPOINT [YY]	Befehl [AA]	Daten	CR
CMD	IND	04	06	-	-

Das Datenfeld ist leer.

Beispiel

Start	TT ADR [XX]	TT ENDPOINT [YY]	Befehl [AA]	Daten	CR
CMD	01	04	06	-	-

Antwort

Start	TT ADR [XX]	TT ENDPOINT [YY]	Befehl [AA]	Daten	CR
RISP	01	04	06	-	-

5.5.2 – STOPP-Befehl

Stoppt den Motor.

Struktur

Start	TT ADR [XX]	TT ENDPOINT [YY]	Befehl [AA]	Daten	CR
CMD	IND	04	03	-	-

Das Datenfeld ist leer.

Beispiel

Start	TT ADR [XX]	TT ENDPOINT [YY]	Befehl [AA]	Daten	CR
CMD	01	04	06	-	-

Antwort

Start	TT ADR [XX]	TT ENDPOINT [YY]	Befehl [AA]	Daten	CR
RISP	01	04	06	-	-

5.5.3 – Befehl HOCHFahren

Steuert das Hochfahren des Motors bis zum eingestellten Endschalter.

Struktur

Start	TT ADR [XX]	TT ENDPOINT [YY]	Befehl [AA]	Daten	CR
CMD	IND	04	05	-	-

Das Datenfeld ist leer.

Beispiel

Start	TT ADR [XX]	TT ENDPOINT [YY]	Befehl [AA]	Daten	CR
CMD	01	04	05	-	-

Antwort

Start	TT ADR [XX]	TT ENDPOINT [YY]	Befehl [AA]	Daten	CR
RISP	01	04	05	-	-

5.5.4 – Befehl HERUNTERFAHREN

Steuert das Herunterfahren des Motors bis zum eingestellten Endschalter.

Struktur

Start	TT ADR [XX]	TT ENDPOINT [YY]	Befehl [AA]	Daten	CR
CMD	IND	04	04	-	-

Das Datenfeld ist leer.

Beispiel

Start	TT ADR [XX]	TT ENDPOINT [YY]	Befehl [AA]	Daten	CR
CMD	01	04	04	-	-

Antwort

Start	TT ADR [XX]	TT ENDPOINT [YY]	Befehl [AA]	Daten	CR
RISP	01	04	04	-	-

5.5.5 – Befehl zur Down-Bewegung in kleinen Schritten

Sendet einen Befehl zum Herunterfahren. Die Step-Ausführung bewegt den Motor in kleinen Schritten, auch außerhalb des Endschalters.

Achtung: Die Richtungen zum Hoch- und Herunterfahren des Motors werden nach der Einstellung der Endschalter festgelegt.

Struktur

Start	TT ADR [XX]	TT ENDPOINT [YY]	Befehl [AA]	Daten	CR
CMD	IND	04	13	-	-

Das Datenfeld ist leer.

Beispiel

Start	TT ADR [XX]	TT ENDPOINT [YY]	Befehl [AA]	Daten	CR
CMD	01	04	13	-	-

Antwort

Start	TT ADR [XX]	TT ENDPOINT [YY]	Befehl [AA]	Daten	CR
RISP	01	04	13	-	-

5.5.6 – Befehl zur Up-Bewegung in kleinen Schritten

Sendet einen Befehl zum HOCHFahren. Die Step-Ausführung bewegt den Motor in kleinen Schritten, auch außerhalb des Endschalters.

Achtung: Die Richtungen zum Hoch- und Herunterfahren des Motors werden nach der Einstellung der Endschalter festgelegt.

Struktur

Start	TT ADR [XX]	TT ENDPOINT [YY]	Befehl [AA]	Daten	CR
CMD	IND	04	12	-	-

Das Datenfeld ist leer.

Beispiel

Start	TT ADR [XX]	TT ENDPOINT [YY]	Befehl [AA]	Daten	CR
CMD	01	04	12	-	-

Antwort

Start	TT ADR [XX]	TT ENDPOINT [YY]	Befehl [AA]	Daten	CR
RISP	01	04	12	-	-

5.5.7 – Speichern der Teilhöhe 1, 2, 3, 4, 5, 6 und der Höhe der Endschalter 0 + 1

Weist einer Variablen die laufende Höhe zu.

Struktur

Start	TT ADR [XX]	TT ENDPOINT [YY]	Befehl [AA]	Daten	CR
CMD	IND	04	-	-	-

Das Datenfeld ist leer.

Beispiel

Start	TT ADR [XX]	TT ENDPOINT [YY]	Befehl [AA]	Daten	CR
CMD	01	04	20	-	-

Antwort

Start	TT ADR [XX]	TT ENDPOINT [YY]	Befehl [AA]	Daten	CR
RISP	01	04	20	-	-

5.5.8 – Löschen der Teilhöhe 1, 2, 3, 4, 5, 6 und der Höhe der Endschalter 0 + 1

Löscht die eingegebene Höhe.

Struktur

Start	TT ADR [XX]	TT ENDPOINT [YY]	Befehl [AA]	Daten	CR
CMD	IND	04	-	-	-

Das Datenfeld ist leer.

Beispiel

Start	TT ADR [XX]	TT ENDPOINT [YY]	Befehl [AA]	Daten	CR
CMD	01	04	30	-	-

Antwort

Start	TT ADR [XX]	TT ENDPOINT [YY]	Befehl [AA]	Daten	CR
RISP	01	04	30	-	-

5.5.9 – Positionsanzeige in Prozent 0 = niedriger Endschalter 255 = hoher Endschalter

Gibt die derzeitige Position des Motors als Prozentzahl an. Das Datenfeld PP entspricht der Prozentposition.

Struktur

Start	TT ADR [XX]	TT ENDPOINT [YY]	Befehl [AA]	Daten	CR
CMD	IND	04	45	-	-

Das Datenfeld ist leer.

Beispiel

Start	TT ADR [XX]	TT ENDPOINT [YY]	Befehl [AA]	Daten	CR
CMD	01	04	45	-	-

Antwort

Start	TT ADR [XX]	TT ENDPOINT [YY]	Befehl [AA]	Daten	CR
RISP	01	04	45	128	-

5.5.10 – Bewegung zur Prozentposition 0 = niedriger Endschalter 255 = hoher Endschalter

Bewegt den Motor zur Position X. Das Datenfeld PP entspricht der Prozentposition.

Struktur

Start	TT ADR [XX]	TT ENDPOINT [YY]	Befehl [AA]	Daten	CR
CMD	IND	04	40	PP	-

Das Datenfeld ist leer.

Beispiel

Start	TT ADR [XX]	TT ENDPOINT [YY]	Befehl [AA]	Daten	CR
CMD	01	04	40	25	-

Antwort

Start	TT ADR [XX]	TT ENDPOINT [YY]	Befehl [AA]	Daten	CR
RISP	01	04	40	25	-

5.5.11 – Befehl zum Löschen aller Sender im Speicher

Löscht alle Funkbefehle des Motors.

Struktur

Start	TT ADR [XX]	TT ENDPOINT [YY]	Befehl [AA]	Daten	CR
CMD	IND	04	65	-	-

Das Datenfeld ist leer.

Beispiel

Start	TT ADR [XX]	TT ENDPOINT [YY]	Befehl [AA]	Daten	CR
CMD	01	04	65	-	-

Antwort

Start	TT ADR [XX]	TT ENDPOINT [YY]	Befehl [AA]	Daten	CR
RISP	01	04	65	-	-

5.5.12 – Befehl zum Löschen aller Motor-Parameter

Löscht alle Endschalterdaten des Motors.

Struktur

Start	TT ADR [XX]	TT ENDPOINT [YY]	Befehl [AA]	Daten	CR
CMD	IND	04	66	-	-

Das Datenfeld ist leer.

Beispiel

Start	TT ADR [XX]	TT ENDPOINT [YY]	Befehl [AA]	Daten	CR
CMD	01	04	66	-	-

Antwort

Start	TT ADR [XX]	TT ENDPOINT [YY]	Befehl [AA]	Daten	CR
RISP	01	04	66	-	-

5.6 – Befehl zur Speicherung und Anzeige der Listen

Es können zwei Befehlslisten gespeichert werden (max. 30 Befehle). Die Befehle werden ausgeführt, wenn ein Übergang des 12V-Triggers im Eingang oder ein Trigger-Ereignis (Up/Down) per Sender erfolgt.

Der serielle Befehl zum Abspeichern der Befehle, die ausgeführt werden, wenn das Signal von unten nach oben geht, ist folgender:

MEM_ON [XX] [YY] [XX1] [YY1] [...] [...] [Carriage Return]

Hinweis – Die Felder sind durch ein Leerzeichen voneinander getrennt und der String endet mit Carriage Return.

Wichtig! – Adresse 1 wird zum Senden von Befehlen an den mechanischen Motor benutzt.

Die Felder sind:

MEM_ON Der String, der die Befehle in der ersten Liste speichert.

[XX] Adresse der Vorrichtung, an die der Befehl gesandt werden soll; besteht notwendigerweise aus zwei Zahlen mit hexadezimaler Darstellung.

[YY] Befehl, der an die Vorrichtung gesandt werden soll; besteht notwendigerweise aus zwei Zahlen, gemäß der zuvor angeführten Befehlstabelle.

Die nächsten Paare **[XX]** und **[YY]** stellen die anderen x-Befehle dar, die an die Motoren gesendet werden können (30 als Höchstzahl).

Wenn beispielsweise an Vorrichtung 2 der Befehl Hochfahren, an Vorrichtung 3 der Befehl Schließen und an Vorrichtung 5 der Befehl Bewegung in kleinen Schritten geschickt werden soll, lautet der Befehl

MEM_ON 02 05 03 04 05 12 [Carriage Return]

Die Antwort wird folgender Art sein:

MEM_ON 02 05 03 04 05 12
LIST TRIGGER ON:
CMD 1--> addr: 2, cmd: 5
CMD 2--> addr: 3, cmd: 4
CMD 3--> addr: 5, cmd: 12

Die Liste, die das Ereignis zur Herunterbewegung des Triggers steuert, folgt einer analogen Arbeitsweise, mit Ausnahme der Steuerung; in diesem Fall erscheint folgender String:

MEM_OFF [XX] [YY] [XX1] [YY1] [...] [...] [Carriage Return]

Unter Hinzuziehung des vorherigen Beispiels ergibt sich dadurch:

MEM_OFF 02 05 03 04 05 12 [Carriage Return]

Die Antwort wird folgender Art sein:

MEM_OFF 02 05 03 04 05 12
LIST TRIGGER OFF:
CMD 1--> addr: 2, cmd: 5
CMD 2--> addr: 3, cmd: 4
CMD 3--> addr: 5, cmd: 12

5.7 – Befehlslisten anzeigen

Es besteht außerdem die Möglichkeit, die beiden abgespeicherten Listen auf dem Bildschirm anzuzeigen. Es reicht aus, den Befehl **LIST**, gefolgt von Senden, zu erteilen, um das komplette Verzeichnis der beiden Listen zu erlangen. Der Befehl lautet:

LIST [Carriage Return]

Wird beispielsweise List nach den beiden vorherigen Befehlen eingegeben, erscheint:

LIST
LIST TRIGGER ON:
CMD 1--> addr: 2, cmd: 5
CMD 2--> addr: 3, cmd: 4
CMD 3--> addr: 5, cmd: 12
LIST TRIGGER OFF:
CMD 1--> addr: 2, cmd: 5

CMD 2--> addr: 3, cmd: 4
CMD 3--> addr: 5, cmd: 12

5.8 – Befehl zur Eingabe der Bewegungsdauer des mechanischen Motors

Beim mechanischen Motor kann die Dauer der Bewegungen festgelegt werden. Der zu verwendende Befehl lautet:

SET_TIME [XXX] [Carriage Return]

Die Felder sind durch ein Leerzeichen voneinander getrennt und der String endet mit Carriage Return.

Die Felder sind:

SET_TIME Befehl zur Festlegung der Zeit.

[XXX] Wert in Sekunden (max. 240).

Der Standardwert beim ersten Einschalten beträgt 10 Sekunden und wird bei jeder Änderung gespeichert.

Beim nächsten Einschalten wird der zuvor gespeicherte Wert benutzt.

5.9 – Adresse einer Vorrichtung ändern

Die Adresse eines Motors kann mit folgendem Befehl eingegeben werden:

ADR [XX] [YY] [Carriage Return]

Die Felder sind durch ein Leerzeichen voneinander getrennt und der String endet mit Carriage Return.

Die Felder sind:

[XX] Derzeitige Adresse des Motors, muss notwendigerweise mit zwei Buchstaben und hexadezimal geschrieben sein.

[YY] Neue Adresse des Motors, muss notwendigerweise mit zwei Buchstaben und hexadezimal geschrieben sein.

Um beispielsweise die Adresse des Motors von 03 auf 07 zu ändern, ist folgender Befehl zu verwenden.

ADR 03 07 [Carriage Return]

5.10 – Informationen zu den gespeicherten Sendern anzeigen

Es können Informationen zu den Sendern im Speicher mit folgendem Befehl angezeigt werden:

TLC_STATUS [Carriage Return]

Die Informationen betreffen die Anzahl der gespeicherten Sender und deren Funktionsweise.

Es erfolgt eine Antwort folgender Art:

tlc_status

Number of remote control in mem: 3

Number of free position in mem: 29

TLC 1 : Mode 2 - Function number 1 - Key UP

TLC 2 : Mode 1

TLC 3 : Mode 2 - Function number 2 - Key DOWN

5.11 – Aktivierbare Bedienungen für domotische Schnittstellen

Der Befehl aktiviert in der Übertragungszentrale in zwei Richtungen von Informationen die Anzeige der Radiocodes auf serieller Leitung und die Übertragung der Position der Automation während der Bewegung.

Eingabe:

WEB_ON [Carriage Return]

Auf diese Weise wird die Anzeige der Radiocodes aus serieller Leitung aktiviert, wenn diese in der Zentrale gespeichert sind und man kann den Befehl Pos benutzen, um die Motoren prozentual zu bewegen und die Bewegung zu überwachen.

Zur Deaktivierung nutzt man den Befehl:

WEB_OFF [Carriage Return]

Auf diese Weise wird die Anzeige der Codes aktiviert.

5.11.1 – Anzeige der Radiocodes auf serieller Leitung

Wenn die TT6 ein Radiosignal von einer der gespeicherten Fernbedienungen empfängt, überträgt sie folgende Informationen in Bezug auf den Transmitter auf serieller Leitung.

RAD * 0003E965 0000 0100000000

Die ersten 8 Zahlen stehen für den Code der Fernbedienung, die 4 darauffolgenden stehen für den variablen Teil des Codes der Fernbedienung (durch 0 maskiert). Die letz-

ten 10 Zahlen stehen für: die ersten 4 Nummern für die gedrückte Taste und die nächsten 6 Nummern für zukünftige Nutzungen.

5.11.2 – Befehl Motor prozentual bewegen

Um die Motoren mit einem Prozentsatz ihres Weges zu bewegen (nachdem man den Endanschlag eingestellt hat), benutzt man den Befehl:

POS > [XX] [YY] [PPPP] [ZZZZ] [TT] [Carriage Return]

Wo:

[XX]	Die Adresse des Motors ist.
[YY]	Der Knoten ist (für Motoren Screen Default 04).
[PPPP]	Valore percentuale che si vuole raggiungere, espresso in millesimi.
[ZZZZ] [TT]	Die letzten beiden Parameter in den Motoren Screen sind auf d FFFF und FF für zukünftige Entwicklungen eingestellt.

Um den Motor Nummer 02 zum Beispiel auf einen Zwischenwert (0500) seines Weges zu bringen, muss der Befehl wie folgt aussehen:

POS # 02 04 0500 FFFF FF

Während der Bewegung werden die Kürzel mit der aktuellen Position des Motors bis zum Erreichen der verlangten Positi-

on in Form von asynchronen Meldungen ausgesendet; das Format ist:

POS * 02 04 xxxx FFFF FF

Wo **xxxx** è la posizione istantanea del motore. die augenblickliche Position des Motors ist. Tritt ein Syntaxfehler des Befehls auf, wird das Fehlerfeld der Antwort mit dem Wert 01 hinzugefügt und die Felder werden bis zum ersten falschen Feld aufgefüllt und die nächsten werden mit 0xF aufgefüllt; zum Beispiel:

POS ! 02 04 FFFF FFFF FF 01

Bei einem Timeout hat die Fehlermeldung als Fehlercode 00; zum Beispiel:

POS ! 02 04 0800 FFFF FF 00

Wo **xxxx** die augenblickliche Position des Motors ist. Die Automation hat nicht auf den ausgesendeten Befehl reagiert.

5.11.3 – Befehl aktuelle Position des Motors erfassen

Um die aktuelle Position der Automation zu erfassen, nutzt man den Befehl:

POS < [XX] [YY] [AAAA] [ZZZZ] [TT] [Carriage Return]

Wo:

[XX]	Die Adresse des Motors ist.
[YY]	Der Knoten ist (für Motoren Screen Default 04).
[PPPP] [ZZZZ] [TT]	Alle aufgefüllt mit 0xF im Fall der Erfassung.

Die Antwort ist vom Typ:

POS * 02 04 0500 FFFF FF

Wo die aktuelle Position des Motors angegeben ist.

5.11 – Help-Befehle

Die beiden Hilfsbefehle sind:

HELP	Befehl zur Anzeige einer Beschreibung der verfügbaren Befehle per seriellem Anschluss.
HELP_TTBUS	Befehl zur Anzeige der Befehlstabelle für den TTBUS.
HELP_TLC	Befehl zur Anzeige der Liste der Funktionen in Modus 2.

6 – ENTSORGUNG DES PRODUKTES

Das vorliegende Produkt ist Teil der Automatisierung und muss daher zusammen mit dieser entsorgt werden.

Wie die Installationsarbeiten, müssen am Ende der Lebensdauer dieses Produktes auch alle Arbeiten zur Entsorgung von Fachpersonal ausgeführt werden. Dieses Produkt besteht aus verschiedenen Stoffen: einige können recycelt, andere müssen hingegen entsorgt werden. Informieren Sie sich über die Recycling- oder Entsorgungssysteme für dieses Produkt, die von den örtlichen Verordnungen vorgesehen sind.

Achtung! – Bestimmte Teile des Produktes können Schadstoffe oder gefährliche Substanzen enthalten, die – falls sie in die Umwelt gelangen – schädliche Auswirkungen auf die Umwelt und die menschliche Gesundheit haben könnten.

Wie durch das nebenstehende Symbol angegeben, ist es verboten, dieses Produkt zum Haushaltsmüll zu geben. Entsorgen Sie es daher differenziert nach den Methoden, die von den in Ihrem Land geltenden Verordnungen vorgesehen sind. Gegebenenfalls können Sie das Produkt auch beim Kauf eines neuen, gleichwertigen Produktes zurückgeben.

Achtung! – Die örtlichen Verordnungen können schwere Strafen im Fall einer widerrechtlichen Entsorgung dieses Produktes vorsehen.



7 – TECHNISCHE EIGENSCHAFTEN

- **Anschluss:** 110 - 240 V AC 50/60 Hz
- **Maximale Stromaufnahme:** 80 mA im Stand-by, 3 A bei maximaler Belastung
- **Codierungen:** FloR (Rolling Code)
- **Frequenz:** 433.92 MHz
- **Impedanz Antenne:** 52 Ohm
- **Empfindlichkeit:** besser als 0,5µV bei positivem Signal
- **Reichweite:** schätzungsweise 200 m im Freien und 35 m in Gebäuden
- **Anzahl der speicherbaren Sender:** 30
- **Ausgang:** 1 Ausgang zur Steuerung eines 2-Phasen-Motors
- **Kapazität der Kontakte:** 3 A - 250 V
- **Schutzart:** IP44 (bei unversehrtem Behälter)
- **Betriebstemperatur:** -20 ÷ +55° C
- **Abmessungen/Gewicht:** 128 x 112 x 43 mm / 260 g

Hinweise:

- Die Betriebsdistanz zwischen Sendern und Empfängern (Reichweite) wird stark von anderen Vorrichtungen beeinflusst, die in der Umgebung mit derselben Frequenz eingesetzt werden (beispielsweise Alarmsysteme, Kopfhörer usw.). In diesem Fall kann Nice keine Garantie über die reelle Reichweite ihrer Vorrichtungen geben.
- Alle angegebenen technischen Merkmale beziehen sich auf eine Temperatur von 20° C (± 5° C).
- Nice S.p.a. behält es sich vor, jederzeit notwendige Änderungen am Produkt vorzunehmen, ohne den Verwendungszweck und die Funktionsweise des Produktes zu modifizieren

1 – OSTRZEŻENIA

- **Uwaga!** - Dla zapewnienia bezpieczeństwa niezbędne jest stosowanie się do zaleceń niniejszej instrukcji.
- **Uwaga!** - Instrukcja ważna dla zachowania bezpieczeństwa: w związku powyższym należy ją zachować.
- **Uwaga!** - Wszystkie czynności związane z instalacją, podłączeniem, programowaniem i konserwacją produktu mogą być przeprowadzane wyłącznie przez wykwalifikowanego i kompetentnego technika!
- **Nie dokonywać modyfikacji żadnej z części produktu, oprócz tych, które przewidziano w niniejszej instrukcji. Czynności nieautoryzowane mogą być źródłem niebezpieczeństwa i przyczyną usterek.** Producent jest zwolniony z wszelkiej odpowiedzialności za szkody spowodowane przez urządzenie, które poddano arbitralnym modyfikacjom.
- **Ważne!** - Nie stosować płynów zawierających alkohol, benzen, rozpuszczalniki lub inne substancje łatwo palne. Stosowanie takich substancji może spowodować uszkodzenie produktu.
- Niniejszą instrukcję należy starannie przechowywać w celu ułatwienia ewentualnych przyszłych czynności związanych z programowaniem i konserwacją produktu.
- Materiały opakowaniowe urządzenia należy usunąć zgodnie z przepisami obowiązującymi na danym terytorium.
- Do czyszczenia powierzchni produktu, należy korzystać z miękkiej, lekko wilgotnej (**nie mokrej!**) ściereczki.

2 – OPIS PRODUKTU I JEGO PRZEZNACZENIE

Centrala TT6 jest przeznaczona do wykorzystania w systemach automatyzacji do markiz, rolet zewnętrznych i wewnętrznych, świetlików, zasłon pionowych oraz do sterowania ekranami do projekcji wideo. **Wszelkie inne użycie jest uznane za nieprawidłowe i zabronione! Producent nie odpowiada za szkody wynikające z niewłaściwego używania produktu, odmiennego od zastosowania przewidzianego w niniejszej instrukcji.**

Produkt jest wyposażony w:

- wyjście do sterowania silnikiem dwufazowym (np. One-Max, To-max lub NeoM); wyjście można aktywować bezpośrednio dwoma przyciskami: **Pup** (▲) i **Pdown** (▼);
- interfejs TTBUS do sterowania silnikami Nice z systemem bus
- interfejs RS232 do połączenia z komputerem PC
- wejście aktywacyjne („Trigger”) do aktywowania lub wyłączenia sekwencji silników (w zależności od triggera w stanie wysokim lub niskim).

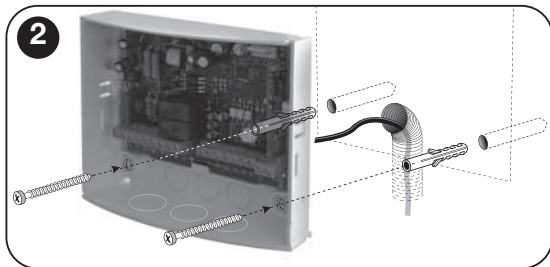
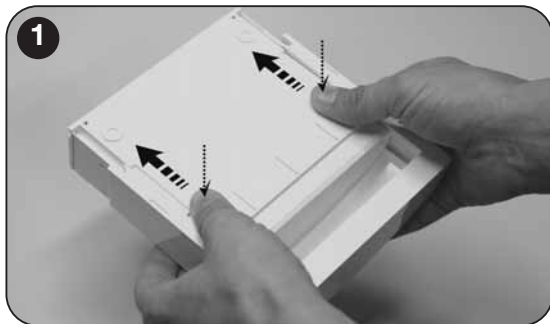
Interfejs radiowy umożliwia zdalne sterowanie urządzeniem dzięki radiowej technologii Nice.

3 – INSTALACJA

01. Zdjąć pokrywę górną z centrali (**rys. 1**).
02. Wykonać w obudowie, w oznaczonych miejscach, otwory potrzebne do przeprowadzenia przewodów oraz zamocowania centrali na ścianie. **Uwaga!** – **Przedsięwzięć odpowiednie środki mające na celu zapewnienie stopnia ochrony IP wymaganego dla danego typu instalacji. W szczególności należy zamontować**

przepusty kablowe (niedostarczone w opakowaniu) w celu zabezpieczenia przewodów zasilających i sterujących przed naciąganiem lub skręceniem.

03. Przymocować do ściany obudowę centrali (rys. 2). **Uwaga!** – Odbiornik należy tak ustawić, aby przewody wchodziły do obudowy tylko i wyłącznie od dołu.



4 – POŁĄCZENIA ELEKTRYCZNE

Ostrzeżenia

- W celu przyłączenia anteny dostarczonej na wyposażeniu, należy pozostawić przewód w dostarczonej długości i zamocować go w linii prostej, unikając zagięć.
- Jeśli centrala znajduje się w niekorzystnym położeniu i sygnał radiowy jest słaby, w celu poprawy odbioru zaleca się wymianę anteny dostarczonej na wyposażeniu na antenę zewnętrzną (mod. ABF lub ABFKIT). Nową antenę należy umieścić w jak najwyżej położonym miejscu, ponad ewentualnymi konstrukcjami z metalu lub cementu zbrojonego obecnymi w okolicy.

4.1 – Wejścia (rys. 3 i Tabela 1)

- **L** Faza elektryczna
- **N** Neutralny
- **TTBUS**: (TTBUS, GND)
- **RS232** z dedykowanym protokołem
- **„Trigger” (wejście sterowane impulsem napięcia) 5-24 Vps** z programowalnymi zdarzeniami On i Off
 - 30+30 programowalnych zdarzeń
 - Zdarzenie: Adres, polecenie
- **2 wejścia** do poleceń otwórz-zamknij dla silnika z krańcówką mechaniczną 85-265 Vpp 50/60 Hz
 - Praca w trybie Otwórz-STOP, Zamknij-STOP
 - Aktywacja „Impuls”

4.2 – Wyjścia

- Wyjście przekaźnika mocy do sterowania silnikiem z krańcówką mechaniczną/elektryczną z programowalnymi ma-

newrami (podnoszenie i opuszczanie), aktywowanymi dwoma wejściami z przyciskiem Pup (▲) i Pdown (▼) „Triggera” 12 V lub drogą radiową.

- Dzięki portowi szeregowemu ze sterowaniem wewnętrznym można zmieniać timer aktywacji w zakresie od 1 do 240 sekund.
- Domyślnie ustawiony adres silnika przyłączonego do centrali to 1.

Kontrolki LED omówiono w **Tabeli 2**.

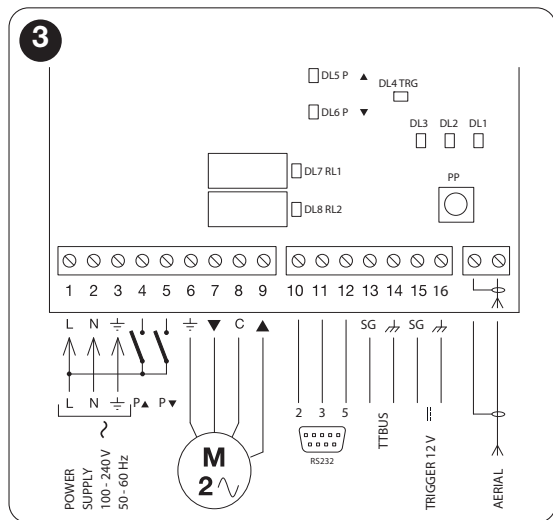


TABELA 1

Schemat połączeń elektrycznych

1	Faza elektryczna
2	Neutralny
3	Uziemienie
4	Przycisk podnoszenia, który można przypisać silnikowi z krańc. mech.
5	Przycisk opuszczania, który można przypisać silnikowi z krańc. mech.
6	Uziemienie silnika z krańc. mech.
7	Faza opuszczania silnika z krańc. mech
8	Wspólne połączenie silnika z krańc. mech
9	Faza podnoszenia silnika z krańc. mech.
10	Sygnal TX interfejsu RS232
11	Sygnal RX interfejsu RS232
12	Wspólne połączenie (GND) sygnału szeregowego RS232
13	Sygnal silnika z TTBUS (przewód biały)
14	Wspólne połączenie silnika z TTBUS (przewód biało-czarny)
15	Sygnal zewnętrznego „triggera” aktywacyjnego (wejście z polaryzacją dodatnią)
16	Wspólny zewnętrznego „triggera” aktywacyjnego (wejście z polaryzacją ujemną)
ANT	Wejście anteny

TABELA 2 - Kontrolki sygnalizacyjne

Led	Opis
DL1 Dioda czerwona	Wskaźnik zasilania.
DL2 Dioda żółta	Zapalona oznacza, że zapisywanie pilotów jest aktywne.
DL3 Dioda zielona	Sygnalizacje.
DL4	Dioda wskaźnikowa „triggera” 12 V.
DL5, DL6 Dioda czerwona	Wskaźnik otwórz-zamknij przycisków zewnętrznych dla silnika mechanicznego.
DL7, DL8 Dioda czerwona	Aktywacja przekaźnika otwórz i zamknij.

5 – PROGRAMOWANIE

Centrala może zapisać w pamięci nadajniki w jednym z dwóch trybów, **Trybie I** i **Trybie II**:

Tryb I

- przycisk **1** steruje otwieraniem przez ustawiony (maksymalnie 240 sek.) czas manewru (Tm);
- przycisk **2** steruje zatrzymaniem;
- przycisk **3** steruje zamykaniem przez ustawiony (maksymalnie 240 sek.) czas manewru (Tm);
- przycisk **4** ponownie steruje zatrzymaniem.

Tryb II

Przyciskowi nadajnika można przypisać jedną z poniższych funkcji:

- 1- Krok po kroku
- 2- Otwórz

- 3- Zamknij
- 4- Stop
- 5- Zamknij po 10 s
- 6- Otwórz po 10 s
- 7- Zamknij po 20 s
- 8- Otwórz po 20 s
- 9 – Zamknij w trybie manualnym
- 10- Otwórz w trybie manualnym
- 11- Aktywuj pilotem scenariusz Trigger Up
- 12- Aktywuj pilotem scenariusz Trigger Down
- 13- Wyjście kodu radiowego na RS232

5.1 – Zapisanie nadajnika w „Trybie I”

01. Na centrali należy wcisnąć i przytrzymać przycisk **P1** aż zapali się zielona dioda **DL1** (po około 4 sekundach), a następnie zwolnić przycisk, po czym zapali się również żółta dioda **DL2**.
02. W ciągu 10 sekund, należy wcisnąć i przytrzymać jakikolwiek przycisk zapisywanego nadajnika, dopóki zielona dioda **DL1** centrali nie błysnie pierwszym z 3 mignięć sygnalizujących dokonanie zapisu. Po zakończeniu owych mignięć, jeśli chce się zapisać inny nadajnik w „**Trybie I**”, należy w ciągu 10 sekund nacisnąć jakikolwiek przycisk tego nadajnika. Następnie należy poczekać na zgaśnięcie żółtej diody **DL2**.

Uwaga! – Gdy próbuje się zapisać nadajnik już obecny w pamięci, zielona dioda **DL1** miga 1 raz sygnalizując ten stan.

5.2 – Zapisanie nadajnika w „Trybie II”

01. Wybrać z listy „**Trybu II**” funkcję, którą chce się zaprogramować (np. „Funkcję 8”).

02. Na odbiorniku nacisnąć przycisk **P1** tyle razy, ile wynosi numer identyfikujący wybraną funkcję (w naszym przykładzie należy nacisnąć go 8 razy). Po zakończeniu tej czynności zielona dioda **DL1** miga krótko tyle razy, ile razy naciśnięty został przycisk (w naszym przykładzie, to 8 krótkich mignięć).
03. W ciągu 10 sekund, należy wcisnąć i przytrzymać na nadajniku przycisk, do którego chce się przypisać tą funkcję, dopóki zielona dioda **DL1** odbiornika nie błysnie pierwszym z 3 długich mignięć sygnalizujących zapisanie ustawienia. Po zakończeniu owych mignięć, jeśli chce się przypisać tę samą funkcję do nowego przycisku (również w innym nadajniku), należy w ciągu 10 sekund (żółta dioda zapalona **DL2**) nacisnąć ten przycisk.
04. Gdy próbuje się zapisać pilota już obecnego w pamięci, zielona dioda **DL1** miga jeden raz sygnalizując ten stan.

5.3 – Usuwanie wszystkich zapisanych nadajników

01. Przytrzymać wcisnięty na długo przycisk **P1** centrali, obserwując sekwencję stanów, jakie przyjmuje zielona dioda **DL1**).
02. Po około 4 sekundach dioda zapala się...
03. Po około 4 sekundach gaśnie...
04. Po około 4 sekundach zaczyna miga...
Wówczas:
05. W celu wykasowania zapisanych nadajników, należy zwolnić przycisk odbiornika dokładnie w chwili trzeciego mignięcia zielonej diody **DL1**;
06. W celu wykasowania całej pamięci (wraz z konfiguracją i rodziną kodowania nadajników), należy zwolnić

przycisk dokładnie w chwili piątego mignięcia zielonej diody **DL1**.

07. W celu wykasowania pojedynczego nadajnika, należy zwolnić przycisk dokładnie podczas siódmego mignięcia, a następnie w ciągu 10s nacisnąć przycisk (*) na pilocie, który chce się usunąć z pamięci (żółta dioda **DL2** zapalona); po wykasowaniu zielona dioda **DL1** zamiga szybko 5 razy.
08. Operację należy powtórzyć w ciągu dziesięciu sekund (zapalona żółta dioda **DL2**) w celu wykasowania kolejnego pilota.

(*) **Uwaga** – Jeśli nadajnik jest zapisany w „**Trybie I**”, należy nacisnąć jakikolwiek przycisk; jeśli zaś jest zapisany w „**Trybie II**”, należy nacisnąć zapisany przycisk; jeśli zapisano kilka przycisków, należy powtórzyć procedurę dla każdego z nich.

5.4 – Protokół komunikacyjny

CMD [XX] [YY] [AA] [Pole danych opcjonalnych] [Carriage Return]

Uwagi – Pola są oddzielone spacją.

[CMD]	Pole z 3 znakami. Umownie, w przypadku przesyłania poleceń do busT4/TUBUS, będzie zawsze równe „CMD”.
[XX] [YY]	Dwa pola, każde dwuznakowe, wskazujące Adres i Węzeł urządzenia. Oba pola są obowiązkowe i są wypełniane w systemie szesnastkowym.
[AA]	Pole oznaczające polecenie do wysłania. Jest obowiązkowe, a jego długość wynosi 2 znaki. Przedstawia ID polecenia do wysłania zgodnie z listą wymie-

nionych wcześniej poleceń (np: 04 otwórz; 05 zamknij...).

[Pole danych]

Pole opcjonalne o zmiennej długości. Jego długość zależy od rodzaju polecenia wysłanego do urządzenia: niektóre z poleceń nie wymagają wprowadzania danych (na przykład polecenie Otwieranie), inne natomiast tak (na przykład Otwieranie procentowe).

[Carriage Return]

Kod dziesiątny 13, szesnastkowy 0D; znak ten być zawsze obecny, każdy string musi być nim zakończony.

Przy każdym wysłanym poleceniu interfejs musi dać odpowiedź odebrania polecenia (nie oznacza to jednak, że polecenie zostanie wykonane przez automatykę). Jest to powiadomienie, które jest bardzo prosto zbudowane, tak jak poniższy przykład:

RSP [XX] [YY] [ZZ] [Pole danych opcjonalnych] [Carriage Return]

5.5 – Lista poleceń

CMD	Opis
45	ODCZYT POŁOŻENIA procentowego 0 - 255 0 = Krańcówka dół 255 = Krańcówka góra
04	Opuszczanie
40	Polecenie OTWÓRZ procentowe wartość procentowa 0 - 225 0 = Krańcówka dół 255 = Krańcówka góra

50	Odczytaj nadajniki zapisane w pamięci
51	Zapamiętaj nadajnik
60	Skasuj nadajnik
65	Kasowanie wszystkich nadajników zapisanych w pamięci
66	Kasowanie parametrów silnika
20	Zapisanie aktualnego położenia jako krańcówki 0
21	Zapisanie aktualnego położenia jako krańcówki 1
22	Zapisanie wartości częściowej 1 w bieżącym położeniu
23	Zapisanie wartości częściowej 2 w bieżącym położeniu
24	Zapisanie wartości częściowej 3 w bieżącym położeniu
25	Zapisanie wartości częściowej 4 w bieżącym położeniu
26	Zapisanie wartości częściowej 5 w bieżącym położeniu
27	Zapisanie wartości częściowej 6 w bieżącym położeniu
30	Kasowanie krańcówki 0
31	Kasowanie krańcówki 1
32	Kasowanie wartości częściowej 1
33	Kasowanie wartości częściowej 2
34	Kasowanie wartości częściowej 3
35	Kasowanie wartości częściowej 4
36	Kasowanie wartości częściowej 5
37	Kasowanie wartości częściowej 6
05	Podnoszenie
12	Podnoś małymi krokami

03	STOP
13	Opuszczaj małymi krokami
06	Przesuń do wartości częściowej 1
07	Przesuń do wartości częściowej 2
08	Przesuń do wartości częściowej 3
09	Przesuń do wartości częściowej 4
10	Przesuń do wartości częściowej 5
11	Przesuń do wartości częściowej 6

Uwagi – Dostępne polecenia muszą być dostępne również dla silnika.

5.5.1 – Polecenie Przesuń do wartości częściowej 1, 2, 3, 4, 5, 6

Po przypisaniu wartości częściowej powoduje ruch silnika do ustawionej wartości.

Struktura

Start	TT ADR [XX]	TT ENDPOINT [YY]	Polecenie [AA]	Dane	CR
CMD	IND	04	06	-	-

Pole danych jest puste.

Przykład

Start	TT ADR [XX]	TT ENDPOINT [YY]	Polecenie [AA]	Dane	CR
CMD	01	04	06	-	-

Odpowiedź

Start	TT ADR [XX]	TT ENDPOINT [YY]	Polecenie [AA]	Dane	CR
RISP	01	04	06	-	-

5.5.2 – Polecenie STOP

Zatrzymuje silnik.

Struktura

Start	TT ADR [XX]	TT ENDPOINT [YY]	Polecenie [AA]	Dane	CR
CMD	IND	04	03	-	-

Pole danych jest puste.

Przykład

Start	TT ADR [XX]	TT ENDPOINT [YY]	Polecenie [AA]	Dane	CR
CMD	01	04	06	-	-

Odpowiedź

Start	TT ADR [XX]	TT ENDPOINT [YY]	Polecenie [AA]	Dane	CR
RISP	01	04	06	-	-

5.5.3 – Polecenie **PODNOSENIE**

Steruje podnoszeniem silnika aż do ustawionej krańcówki.

Struktura

Start	TT ADR [XX]	TT ENDPOINT [YY]	Polecenie [AA]	Dane	CR
CMD	IND	04	05	-	-

Pole danych jest puste.

Przykład

Start	TT ADR [XX]	TT ENDPOINT [YY]	Polecenie [AA]	Dane	CR
CMD	01	04	05	-	-

Odpowiedź

Start	TT ADR [XX]	TT ENDPOINT [YY]	Polecenie [AA]	Dane	CR
RISP	01	04	05	-	-

5.5.4 – Polecenie **OPUSZCZANIE**

Steruje opuszczaniem silnika aż do ustawionej krańcówki.

Struktura

Start	TT ADR [XX]	TT ENDPOINT [YY]	Polecenie [AA]	Dane	CR
CMD	IND	04	04	-	-

Pole danych jest puste.

Przykład

Start	TT ADR [XX]	TT ENDPOINT [YY]	Polecenie [AA]	Dane	CR
CMD	01	04	04	-	-

Odpowiedź

Start	TT ADR [XX]	TT ENDPOINT [YY]	Polecenie [AA]	Dane	CR
RISP	01	04	04	-	-

5.5.5 – Polecenie **Opuszczaj małymi krokami**

Wydaje polecenie opuszczania. Wersja „Małymi krokami” powoduje przesunięcia silnika o małe kroki, również poza krańcówkę.

Uwaga: kierunek podnoszenia i opuszczania zostają prawidłowo przypisane po dokonaniu ustawień krańcówek.

Struktura

Start	TT ADR [XX]	TT ENDPOINT [YY]	Polecenie [AA]	Dane	CR
CMD	IND	04	13	-	-

Pole danych jest puste.

Przykład

Start	TT ADR [XX]	TT ENDPOINT [YY]	Polecenie [AA]	Dane	CR
CMD	01	04	13	-	-

Odpowiedź

Start	TT ADR [XX]	TT ENDPOINT [YY]	Polecenie [AA]	Dane	CR
RISP	01	04	13	-	-

5.5.6 – Polecenie Podnoś małymi krokami

Wydaje polecenie podnoszenia. Wersja „Małymi krokami” powoduje przesunięcia silnika o małe kroki, również poza krańcówkę.

Uwaga: kierunek podnoszenia i opuszczania zostają prawidłowo przypisane po dokonaniu ustawień krańcówek.

Struktura

Start	TT ADR [XX]	TT ENDPOINT [YY]	Polecenie [AA]	Dane	CR
CMD	IND	04	12	-	-

Pole danych jest puste.

Przykład

Start	TT ADR [XX]	TT ENDPOINT [YY]	Polecenie [AA]	Dane	CR
CMD	01	04	12	-	-

Odpowiedź

Start	TT ADR [XX]	TT ENDPOINT [YY]	Polecenie [AA]	Dane	CR
RISP	01	04	12	-	-

5.5.7 – Zapisywanie wartości częściowej 1, 2, 3, 4, 5, 6 oraz wartości krańcówki 0 i 1

Przypisuje bieżącą wartość położenia do zmiennej.

Struktura

Start	TT ADR [XX]	TT ENDPOINT [YY]	Polecenie [AA]	Dane	CR
CMD	IND	04	-	-	-

Pole danych jest puste.

Przykład

Start	TT ADR [XX]	TT ENDPOINT [YY]	Polecenie [AA]	Dane	CR
CMD	01	04	20	-	-

Odpowiedź

Start	TT ADR [XX]	TT ENDPOINT [YY]	Polecenie [AA]	Dane	CR
RISP	01	04	20	-	-

5.5.8 – Kasowanie wartości częściowej 1, 2, 3, 4, 5, 6 oraz wartości krańcówki 0 i 1

Usuwa wprowadzoną wartość położenia.

Struktura

Start	TT ADR [XX]	TT ENDPOINT [YY]	Polecenie [AA]	Dane	CR
CMD	IND	04	-	-	-

Pole danych jest puste.

Przykład

Start	TT ADR [XX]	TT ENDPOINT [YY]	Polecenie [AA]	Dane	CR
CMD	01	04	30	-	-

Odpowiedź

Start	TT ADR [XX]	TT ENDPOINT [YY]	Polecenie [AA]	Dane	CR
RISP	01	04	30	-	-

5.5.9 – Odczyt położenia procentowego 0 - 255 0 = Krańcówka dół, 255 = Krańcówka góra

Odczytuje bieżące położenie silnika w trybie procentowym.
Pole danych PP jest położeniem procentowym.

Struktura

Start	TT ADR [XX]	TT ENDPOINT [YY]	Polecenie [AA]	Dane	CR
CMD	IND	04	45	-	-

Pole danych jest puste.

Przykład

Start	TT ADR [XX]	TT ENDPOINT [YY]	Polecenie [AA]	Dane	CR
CMD	01	04	45	-	-

Odpowiedź

Start	TT ADR [XX]	TT ENDPOINT [YY]	Polecenie [AA]	Dane	CR
RISP	01	04	45	128	-

5.5.10 – Przesuń do położenia procentowego 0 - 255 0 = Krańcówka dół, 255 = Krańcówka góra

Przesuwa silnik w położenie X.
Pole danych PP jest położeniem procentowym.

Struktura

Start	TT ADR [XX]	TT ENDPOINT [YY]	Polecenie [AA]	Dane	CR
CMD	IND	04	40	PP	-

Pole danych jest puste.

Przykład

Start	TT ADR [XX]	TT ENDPOINT [YY]	Polecenie [AA]	Dane	CR
CMD	01	04	40	25	-

Odpowiedź

Start	TT ADR [XX]	TT ENDPOINT [YY]	Polecenie [AA]	Dane	CR
RISP	01	04	40	25	-

5.5.11 – Polecenie Usuwanie wszystkich nadajników zapisanych w pamięci

Usuwa wszystkie urządzenia sterowania drogą radiową z silnika.

Struktura

Start	TT ADR [XX]	TT ENDPOINT [YY]	Polecenie [AA]	Dane	CR
CMD	IND	04	65	-	-

Pole danych jest puste.

Przykład

Start	TT ADR [XX]	TT ENDPOINT [YY]	Polecenie [AA]	Dane	CR
CMD	01	04	65	-	-

Odpowiedź

Start	TT ADR [XX]	TT ENDPOINT [YY]	Polecenie [AA]	Dane	CR
RISP	01	04	65	-	-

5.5.12 – Polecenie Kasowanie parametrów silnika

Usuwa wszystkie dane krańcówek z silnika.

Struktura

Start	TT ADR [XX]	TT ENDPOINT [YY]	Polecenie [AA]	Dane	CR
CMD	IND	04	66	-	-

Pole danych jest puste.

Przykład

Start	TT ADR [XX]	TT ENDPOINT [YY]	Polecenie [AA]	Dane	CR
CMD	01	04	66	-	-

Odpowiedź

Start	TT ADR [XX]	TT ENDPOINT [YY]	Polecenie [AA]	Dane	CR
RISP	01	04	66	-	-

5.6 – Polecenia do zapisywania i wyświetlania list

Można zapisać dwie listy poleceń (max 30). Polecenia zostaną później wykonywane w sekwencji, gdy ma miejsce zmiana stanu „triggera” 12V na wejściu lub dochodzi do zdarzenia „trigger” „up” lub „down” z pilota.

Polecenie z portu szeregowego służące do zapisania poleceń, które zostaną wykonane, gdy sygnał przechodzi z niskiego na wysoki to:

MEM_ON [XX] [YY] [XX1] [YY1] [...] [...] [Carriage Return]

Uwagi – Pola są oddzielone spacją, a string jest zakończony znakiem powrotu karetki.

Ważne! – Adres 1 jest wykorzystywany do wysyłania poleceń do silnika z krańc. mech.

Pola to:

MEM_ON String, który zapisuje w pamięci polecenia pierwszej listy.

[XX] Adres urządzenia, do którego chce się wysłać polecenie; składa się obowiązkowo z dwóch cyfr w systemie szesnastkowym.

[YY] Polecenie, jakie chce się przesłać do urządzenia; składa się obligatoryjnie z dwóch cyfr zgodnie z przedstawioną powyżej tabelą poleceń.

Kolejne pary **[XX]** i **[YY]** przedstawiają pozostałe N poleceń, które można wysłać silnikom z ograniczeniem do 30. Przykład: aby wysłać urządzeniu 2 polecenie Podnoś, urządzeniu 3 polecenie Zamknij, a urządzeniu 5 polecenie Podnoś krok po kroku, pełne polecenie to

```
MEM_ON 02 05 03 04 05 12 [Carriage Return]
```

Odpowiedzią zaś będzie:

```
MEM_ON 02 05 03 04 05 12
LIST TRIGGER ON:
CMD 1--> addr: 2, cmd: 5
CMD 2--> addr: 3, cmd: 4
CMD 3--> addr: 5, cmd: 12
```

Lista, która zarządza zdarzeniem zmiany stanu „triggera” na niski działa w analogiczny sposób, z wyjątkiem polecenia, którym w tym przypadku będzie:

```
MEM_OFF [XX] [YY] [XX1] [YY1] [...] [...] [Carriage Return]
```

Wykorzystując poprzedni przykład otrzymujemy:

```
MEM_OFF 02 05 03 04 05 12 [Carriage Return]
```

Odpowiedzią zaś będzie:

```
MEM_OFF 02 05 03 04 05 12
LIST TRIGGER OFF:
CMD 1--> addr: 2, cmd: 5
CMD 2--> addr: 3, cmd: 4
CMD 3--> addr: 5, cmd: 12
```

5.7 – Wyświetlanie list poleceń

Istnieje również możliwość wyświetlenia dwóch zapisanych w pamięci list. W tym celu należy wydać polecenie **LIST** i enter, aby uzyskać pełny wykaz obu list. Polecenie to:

```
LIST [Carriage Return]
```

Na przykład wpisując List, po uprzednim wydaniu dwóch omówionych powyżej poleceń, otrzymamy:

```
LIST
LIST TRIGGER ON:
CMD 1--> addr: 2, cmd: 5
CMD 2--> addr: 3, cmd: 4
CMD 3--> addr: 5, cmd: 12
LIST TRIGGER OFF:
CMD 1--> addr: 2, cmd: 5
```

CMD 2--> addr: 3, cmd: 4
CMD 3--> addr: 5, cmd: 12

5.8 – Polecenie służące do ustawienia czasu trwania ruchu silnika z krańc. mech.

Możliwe jest ustawienie czasu trwania ruchu silnika z krańc. mech.: Poleceniem, z którego się korzysta jest:

SET_TIME [XXX] [Carriage Return]

Pola są oddzielone spacją, a string jest zakończony znakiem powrotu karetki.

Pola to:

SET_TIME Polecenie służące do ustawienia czasu.

[XXX] Wartość w sekundach (maks. 240).

Wartość domyślna przy pierwszym uruchomieniu to 10 sekund, po każdej zmianie nowa wartość zostaje zapisana. Przy każdym kolejnym uruchomieniu zostaje użyta ostatnia zapisana wartość.

5.9 – Zmiana adresu urządzenia

Adres silnika można ustawić przy użyciu polecenia:

ADR [XX] [YY] [Carriage Return]

Pola są oddzielone spacją, a string jest zakończony znakiem powrotu karetki.

Pola to:

[XX] Bieżący adres silnika; jest on zapisywany obowiązkowo dwoma cyframi przy użyciu systemu szesnastkowego.

[YY] Nowy adres silnika; jest on zapisywany obowiązkowo dwoma cyframi przy użyciu systemu szesnastkowego.

Przykład: w celu zmiany adresu silnika z 03 na 07 należy użyć polecenia.

ADR 03 07 [Carriage Return]

5.10 – Wyświetlanie informacji na zapisanych pilotach

Informacje na pilotach zapisanych w pamięci można wyświetlać poleceniem:

TLC_STATUS [Carriage Return]

Informacje dotyczą ilości zapisanych w pamięci pilotów oraz trybu działania.

Uzyskana odpowiedź będzie tego typu:

tlc_status

Number of remote control in mem: 3

Number of free position in mem: 29

TLC 1 : Mode 2 - Function number 1 - Key UP

TLC 2 : Mode 1

TLC 3 : Mode 2 - Function number 2 - Key DOWN

5.11 – Polecenia aktywowane za pomocą interfejsów automatyki domowej

Polecenie aktywuje w centrali dwukierunkowy przesył informacji, wyświetlanie kodów radiowych w układzie szeregowym oraz przekazywanie informacji na temat pozycji automatu podczas manewru.

Wybrać:

WEB_ON [Carriage Return]

W ten sposób aktywowane zostaje wyświetlanie kodów radiowych za pomocą układu szeregowego, jeżeli zostały one zapisane w centrali. Możliwe jest też wykorzystanie polecenia „pos”, aby przesunąć silniki o daną wartość procentową i monitorować wykonywanie manewru.

Aby dezaktywować to polecenie, należy użyć polecenia:

WEB_OFF [Carriage Return]

W ten sposób aktywowane jest wyświetlanie kodów.

5.11.1 – Wyświetlanie kodów radiowych w układzie szeregowym

Jeżeli urządzenie TT6 otrzyma sygnał radiowy z jednego z zapisanych pilotów, przesyła za pomocą układu szeregowego następujące informacje na temat nadajnika.

RAD * 0003E965 0000 0100000000

Pierwszych 8 cyfr stanowi kod pilota, 4 kolejne to zmienna część kodu pilota (ukryta za pomocą 0). 10 ostatnich cyfr: 4

pierwsze to wciśnięty przycisk, 6 kolejnych przeznaczonych jest do użytku w przyszłości.

5.11.2 – Polecenie procentowego przesuwania silnika

Aby przesunąć silniki o procentową wartość ich całkowitego skoku (zatem po ustawieniu wyłączników krańcowych), należy użyć polecenia:

POS > [XX] [YY] [PPPP] [ZZZZ] [TT] [Carriage Return]

Gdzie:

[XX] To adres silnika.

[YY] To węzeł (dla silników do ekranów domyślna wartość to 04).

[PPPP] Wartość procentowa, jaka ma zostać osiągnięta, wyrażona w tysięcznych.

[ZZZZ] [TT] Ostatnie dwa parametry w silnikach do ekranów ustawione są na FFFF i FF do przyszłego rozwinięcia.

Na przykład, aby przesunąć silnik 02 do wartości pośredniej (0500) jego skoku, należy wybrać polecenie w następujący sposób:

POS # 02 04 0500 FFFF FF

Podczas ruchu wysyłane są ciągi z aktualną pozycją silnika,

aż do osiągnięcia żądanej pozycji w formie asynchronicznych komunikatów. Format:

POS * 02 04 xxxx FFFF FF

Gdzie **xxxx** to bieżąca pozycja silnika.

W przypadku błędu sekwencji polecenia do odpowiedzi dodane zostanie pole błędu o wartości 01, pola będą wypełniane aż do pierwszego błędnego pola, a następnie zostaną wypełnione za pomocą 0xF, jak w przykładzie:

POS ! 02 04 FFFF FFFF FF 01

W przypadku przekroczenia czasu oczekiwania kod komunikatu błędu będzie miał wartość 00, na przykład:

POS ! 02 04 0800 FFFF FF 00

Gdzie **xxxx** to bieżąca pozycja silnika.

Automat nie odpowiedział na wysłane polecenie.

5.11.3 – Polecenie odczytywania aktualnej pozycji silnika

Aby odczytać aktualną pozycję automatu, należy użyć następującego polecenia:

POS < [XX] [YY] [AAAA] [ZZZZ] [TT] [Carriage Return]

Gdzie:

[XX] To adres silnika.

[YY] To węzeł (dla silników do ekranów domyślna wartość to 04).

[PPPP] [ZZZZ] [TT] Wszystkie wypełnione za pomocą 0xF w przypadku odczytu.

Odpowiedź może być następująca:

POS * 02 04 0500 FFFF FF

Gdzie wskazana zostaje aktualna pozycja silnika.

5.11 – Polecenia help

Trzy polecenia pomocy to:

HELP Polecenie służące do wyświetlenia opisu poleceń dostępnych przez port szeregowy.

HELP_TTBUS Polecenie służące do wyświetlenia tabeli poleceń do TTBUS.

HELP_TLC Polecenie służące do wyświetlenia listy funkcji w trybie 2.

6 – USUWANIE PRODUKTU

Niniejszy produkt jest integralną częścią systemu automatyki i w związku z tym należy je usuwać razem z nim.

Tak jak i operacje instalacyjne, również operacje demontażowe po zakończeniu okresu żywotności produktu, muszą być przeprowadzane przez wykwalifikowany personel. Niniejszy produkt składa się z różnych rodzajów materiałów: niektóre z nich mogą zostać poddane recyklingowi, inne należy usunąć. Obowiązkiem użytkownika jest zdobycie informacji na temat recyklingu lub usuwania w sposób zgodny z przepisami obowiązującymi dla danej kategorii urządzenia na zamieszkiwanym terytorium.

Uwaga! – Niektóre części urządzenia mogą zawierać substancje zanieczyszczające lub niebezpieczne, które, jeżeli zostaną uwolnione do środowiska, mogą wywierać szkodliwy wpływ na samo środowisko i na zdrowie ludzkie.

Jak wskazuje symbol zamieszczony obok, wyrzucanie urządzenia razem z odpadami domowymi jest zabronione. Produkt należy usuwać zgodnie z zasadami selektywnej zbiórki odpadów, według metod przewidzianych lokalnymi przepisami, lub zwrócić produkt sprzedawcy podczas zakupu nowego, równorzędnego produktu.

Uwaga! – Lokalne przepisy mogą przewidywać wysokie kary w przypadku nielegalnej likwidacji niniejszego urządzenia.



7 – PARAMETRY TECHNICZNE

- **Zasilanie:** 110 ÷ 240 Vpp 50/60 Hz
- **Maksymalny prąd pobierany:** 80 mA w stand-by, 3 A przy maksymalnym obciążeniu
- **Kodowania:** FloR (rolling code)
- **Częstotliwość:** 433.92 MHz
- **Impedancja anteny:** 52 ohm
- **Czułość:** powyżej 0,5µV dla prawidłowego odbioru
- **Zasięg:** szacowany na 200 m na zewnątrz i na 35 m wewnątrz budynków
- **Ilość wczytywanych nadajników:** 30
- **Wyjście:** 1 wyjście do sterowania silnikiem dwufazowym
- **Obciążalność styków:** 3 A - 250 V
- **Stopień ochrony:** IP44 (z kompletną obudową)
- **Temperatura robocza:** -20 ÷ +55° C
- **Wymiary / waga:** 128 x 112 x 43 mm / 260 g

Uwagi:

- *Odległość operacyjna pomiędzy nadajnikami i odbiornikami (zasięg) jest w znacznej mierze uzależniona od innych urządzeń działających w danej okolicy przy tej samej częstotliwości (na przykład: systemy alarmowe, słuchawki bezprzewodowe, itp.). W takich przypadkach firma Nice nie jest w stanie udzielać gwarancji dotyczących rzeczywistego zasięgu swych urządzeń.*
- *Wszystkie podane tu parametry techniczne odnoszą się do temperatury otoczenia równej 20° C (± 5° C).*
- *Firma Nice zastrzega sobie prawo do wprowadzania zmian do urządzenia w dowolnej chwili, zachowując te same funkcje i przeznaczenie produktu.*

1 – WAARSCHUWINGEN

- **Let op!** - Voor de veiligheid van de betrokken personen is het belangrijk deze aanwijzingen op te volgen.
- **Let op!** - Belangrijke aanwijzingen voor de veiligheid: bewaar deze aanwijzingen.
- **Let op!** - Alle werkzaamheden in verband met de installatie, de aansluiting, de programmering en het onderhoud van het product mogen uitsluitend worden uitgevoerd door een gekwalificeerde en bekwaame technicus!
- **Geen enkel onderdeel van het product mag gewijzigd worden, tenzij dergelijke wijzigingen in deze handleiding zijn voorzien. Werkzaamheden waarvoor de fabrikant geen toestemming heeft verleend, kunnen een bron van gevaar vormen en storingen veroorzaken. De fabrikant aanvaardt geen enkele aansprakelijkheid voor schade die het gevolg is van op willekeurige wijze gewijzigde producten.**
- **Belangrijk!** - Gebruik geen vloeistoffen die alcohol, benzene, verdunningsmiddelen of andere ontvlambare substanties bevatten. Gebruik van dergelijke substanties kan het product beschadigen.
- Bewaar deze handleiding zorgvuldig, om eventuele toekomstige programmeer- of onderhoudswerkzaamheden te vergemakkelijken.
- Het verpakkingsmateriaal van het product moet overeen-

komstig de plaatselijk van kracht zijnde voorschriften als afval worden verwerkt.

- Om de buitenkant van het product te reinigen gebruikt u een zachte, iets bevochtigde (maar niet natte!) lap.

2 – BESCHRIJVING VAN HET PRODUCT EN GEBRUIKSBESTEMMING

De besturingseenheid TT6 is bestemd voor het gebruik in automatiseringsinstallaties voor zonneschermen, rolluiken, daklichten, verticale elementen, zonweringen en om projectieschermen te bedienen. **Ieder ander gebruik dient als oneigenlijk en dus als verboden te worden beschouwd! De fabrikant is niet aansprakelijk voor schade die het gevolg is van een oneigenlijk gebruik van het product, anders dan in deze handleiding is voorzien.**

Het product biedt:

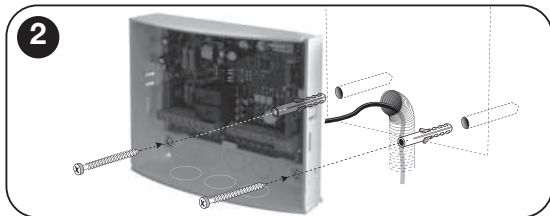
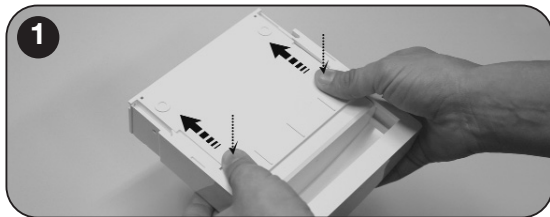
- een uitgang om een tweefasenmotor (bijvoorbeeld One-Max, To-Max of NeoM) te besturen. De uitgang kan direct geactiveerd worden door de twee toetsen: **Pup** (▲) en **Pdown** (▼);
- TTBus-interface om Nice-motoren met bussysteem te besturen
- RS232-interface voor aansluiting aan PC
- activeringsingang (trigger) om een reeks motoren te activeren of deactiveren (in overeenstemming met de trigger op de stijgende of dalende flank).

De radiointerface vergroot de besturingsmogelijkheden van het product op afstand via de Nice-radiotechnologie.

3 – INSTALLATIE

- 01.** Verwijder het bovendeksel van de besturingseenheid (afb. 1)

02. Boor in de houder op de aanwezige merktekens gaten voor de kabeldoorvoer en gaten voor de bevestiging van de besturingseenheid aan de wand. **Let op! - Neem de maatregelen die nodig zijn om de door het installatietype vereiste IP beschermingsklasse te waarborgen. Er dient met name te worden gezorgd voor kabelklemmen (niet bijgeleverd) die de voedings- en stuurkabels moeten beschermen tegen mogelijke tractie of torsie.**
03. Bevestig de houder van de besturingseenheid aan de wand (afb. 2). **Let op! – De ontvanger moet zodanig geplaatst worden dat de kabels uitsluitend van onderen af de houder binnenkomen.**



4 – ELEKTRISCHE AANSLUITINGEN

Waarschuwingen

- Om de meegeleverde antenne aan te sluiten moet het snoer zijn gehele lengte behouden en recht en zonder te veel bochten geplaatst worden.
- Als de besturingseenheid zich op een ongunstige plaats bevindt en het radiosignaal zwak is, kan de ontvangst verbeterd worden door de geleverde antenne te vervangen door een externe antenne (mod. ABF of ABFKIT). De nieuwe antenne moet zo hoog mogelijk worden geplaatst, boven eventuele structuren van metaal of gewapend beton die zich in de nabijheid bevinden.

4.1 – Ingangen (afb. 3 en Tabel 1)

- **L** Elektrische fase
- **N** Nul
- **TTBUS:** (TTBUS, GND)
- **RS232** met specifiek protocol
- **Trigger 5-24 Vdc** met programmeerbare aan- en uitschakeling (On en Off)
 - 30+30 programmeerbare gebeurtenissen
 - Gebeurtenis: Adres, instructie
- **2 Ingangen** voor open- en sluitinstructies voor mechanische motor van 85-265 Vac 50/60 Hz
 - Werking Open-STOP, Sluit-STOP
 - Activering “ON-PRESS”

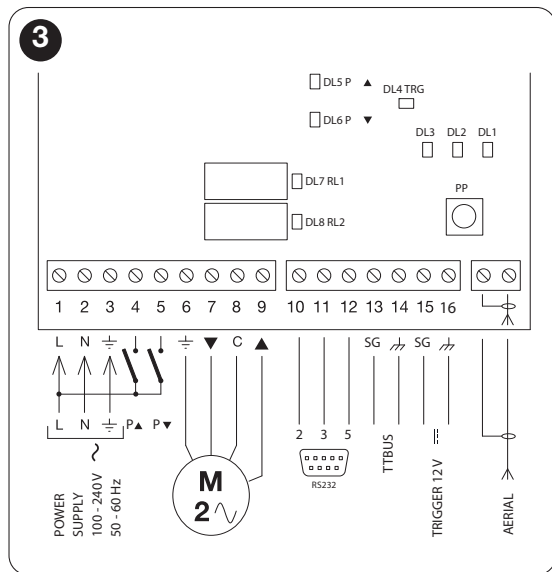
4.2 – Uitgangen

- Vermogensrelaisuitgangen voor de besturing van een mechanische/elektronische motor met programmeerbare ma-

noeuvres (omhoog en omlaag), geactiveerd door twee toetsingangen Pup (▲) en Pdown (▼) van de 12V trigger of via radio.

- Middels seriële poort met interne instructie kan de activeringstimer ingesteld worden van 1 s tot 240 s.
- Het default-adres van de motor die aan de besturingseenheid is aangesloten is 1.

Om de aanwezige leds te verifiëren, raadpleeg **Tabel 2**.



TABEL 1

Schema van de elektrische aansluitingen

1	Elektrische fase
2	Nul
3	Aarde
4	Toets voor omhoog gekoppeld aan de aansluitbare mechanische motor
5	Toets voor omlaag gekoppeld aan de aansluitbare mechanische motor
6	Aarde mechanische motor
7	Fase van neergang mechanische motor
8	Gemeenschappelijke aarde van de mechanische motor
9	Fase van opgang van de mechanische motor
10	TX-sigitaal van de RS232-interface
11	RX-sigitaal van de RS232-interface
12	Gemeenschappelijke aarde (GND) van het seriële signaal RS232
13	Sigitaal van de motor met TTBUS (witte draad)
14	Gemeenschappelijke aarde van de motor met TTBUS (zwartwitte draad)
15	Sigitaal van de externe activeringstrigger (ingang met positieve pool)
16	Gemeenschappelijke aarde van de externe activeringstrigger (ingang met negatieve pool)
ANT	Antenne-ingang

TABEL 2 - Signaleringsleds

Led	Beschrijving
DL1 Rode led	Voedingsindicator.
DL2 Gele led	Als de led brandt is de geheugen-opslag van de zenders actief.
DL3 Groene led	Signaleringen.
DL4	Led indicatie 12V trigger aan.
DL5, DL6 Rode led	Indicator externe open-sluittoetsen voor mechanische motor.
DL7, DL8 Rode led	Activering relais open en sluit.

5 – PROGRAMMERING

De besturingseenheid kan de zenders op twee manieren in haar geheugen opslaan, namelijk volgens **Procedure I** of **Procedure II**:

Procedure I

- de toets **1** bestuurt de opening voor de ingestelde duur (maximaal 240 sec.) van de manoeuvre (Tm);
- de toets **2** bestuurt de stop;
- de toets **3** bestuurt de sluiting voor de ingestelde duur (maximaal 240 sec.) van de manoeuvre (Tm);
- de toets **4** bestuurt opnieuw de stop.

Procedure II

De toets van de zender kan aan een van de volgende functies gekoppeld worden:

- 1- Stap-voor-stap
- 2- Open

- 3- Sluit
- 4- Stop
- 5- Sluit na 10 s
- 6- Open na 10 s
- 7- Sluit na 20 s
- 8- Open na 20 s
- 9 - Sluit als er iemand aanwezig is
- 10- Open als er iemand aanwezig is
- 11- Activeer scenario Trigger Up
- 12- Activeer scenario Trigger Down
- 13- Uitgang radiocode op RS232

5.1 – Een zender in het geheugen opslaan volgens “Procedure I”

01. Op de besturingseenheid houdt u de toets **P1** ingedrukt tot de groene led **DL1** gaat branden (na circa 4 seconden), waarna u de toets weer loslaat en ook de gele led **DL2** zal gaan branden.
02. Binnen 10 seconden houdt u een willekeurige toets van de zender, die moet worden opgeslagen, ingedrukt, tot de groene led **DL1** van de besturingseenheid de eerste van 3 knipperingen laat zien die aangeven dat de zender in het geheugen werd opgeslagen. Wanneer de led klaar is met knipperen dient u, als u een andere zender wilt opslaan volgens “Procedure I”, binnen 10 seconden op een willekeurige toets van deze nieuwe zender te drukken. Wacht dan tot de gele led **DL2** uitgaat.

Let op! – Als u probeert een zender op te slaan die reeds in het geheugen zit, zal de groene led **DL1** één keer knipperen om dit aan te geven

5.2 – Een zender in het geheugen opslaan volgens “Procedure II”

01. Kies uit de lijst van de “**Procedure II**” de functie die u wilt programmeren (bijv. “Functie 8”).
02. Druk op de ontvanger net zo vaak op toets **P1** als het identificatienummer van de gekozen functie (in ons voorbeeld, 8 maal). Na afloop zal de groene led **DL1** net zo vaak kort knipperen als er op de toets werd gedrukt (in ons voorbeeld, 8 korte knipperingen);
03. Binnen 10 seconden dient u op de zender de toets ingedrukt te houden die u wilt opslaan, totdat de groene led **DL1** van de ontvanger de eerste van 3 lange knipperingen laat zien, die aangeven dat de zender in het geheugen werd opgeslagen. Wanneer de led klaar is met knipperen dient u, als u met dezelfde functie een nieuwe toets wilt opslaan (ook van een andere zender), binnen 10 seconden (gele led **DL2** brandt) op deze nieuwe toets te drukken.
04. Als u probeert een zender op te slaan die reeds in het geheugen zit, zal de groene led **DL1** één keer knipperen om dit aan te geven.

5.3 – Alle opgeslagen zenders annuleren

01. Houd de toets **P1** van de besturingseenheid lang ingedrukt en observeer de statusveranderingen van de groene Led **DL1**.
02. Na circa 4 seconden gaat hij aan...
03. Na circa 4 seconden gaat hij uit...
04. Na circa 4 seconden begint hij te knipperen...
Op dit punt:
05. Om de opgeslagen zenders te annuleren laat u de toets

van de ontvanger precies tijdens de 3de knippering van de groene led **DL1** los;

06. Om het volledige geheugen te wissen (inclusief de configuraties en de coderingsfamilie van de zenders), laat u de toets precies tijdens de 5de knippering van de groene led **DL1** los.
07. Om een afzonderlijke zender te annuleren laat u de toets precies tijdens de 7de knippering los. Op dit punt drukt u op een toets (*) van de zender die u uit het geheugen wilt verwijderen. Binnen tien seconden (gele led **DL2** brandt) na de annulering zal de groene led **DL1** 5 keer snel knipperen.
08. Herhaal de werkwijze binnen tien seconden (gele led **DL2** brandt) om een andere zender te annuleren.

(*) **Opmerking** – Als de zender wordt opgeslagen volgens “**Procedure I**”, drukt u op een willekeurige toets; als de zender echter wordt opgeslagen volgens “**Procedure II**”, drukt u op de opgeslagen toets; als er meerdere toetsen worden opgeslagen, dient u de procedure voor elk van deze toetsen te herhalen.

5.4 – Communicatieprotocol

CMD [XX] [YY] [AA] [Veld optionele gegevens] [Carriage Return]

Opmerking – De velden zijn met een spatie van elkaar gescheiden.

[CMD]

Veld van 3 karakters. Volgens de standaardregels zullen deze in het geval van versturing van instructies naar de T4-bus/TTBUS altijd “CMD” zijn.

[XX] [YY]

Dit zijn twee velden van twee karakters die elk in volgorde het adres en het

knooppunt van de inrichting aangeven. Deze twee velden zijn verplicht en moeten in hexadecimalen worden geschreven.

[AA] Veld dat de te versturen instructie aangeeft. Het is verplicht en heeft een lengte van 2 karakters. Het vertegenwoordigt de ID van de instructie die volgens de reeds vermelde lijst met instructies verstuurd kan worden (bijvoorbeeld: 04 open, 05 sluit...).

[Veld gegevens] Optioneel veld met een variabele lengte. De lengte hangt af van het soort instructie dat naar de inrichting wordt verstuurd: er zijn instructies die geen gegevens vereisen (bijvoorbeeld de instructie Open), en andere juist wel (bijvoorbeeld Open percentage).

[Carriage Return] Decimale code 13, hexadecimaal 0D; moet altijd aanwezig zijn, iedere string moet met dat karakter eindigen.

Op elke verstuurd instructie moet de interface een bevestigingsantwoord van de inrichting geven (dit betekent echter niet dat de instructie door de automatisering uitgevoerd is). Het betreft een melding die momenteel een zeer eenvoudige opbouw heeft, zoals deze:

RSP [XX] [YY] [ZZ] [Veld optionele gegevens [Carriage Return]]

5.5 – Lijst met instructies

CMD	Beschrijving
45	LEZING VAN DE POSITIE percentage 0 - 255 0 = Eindaanslag laag 255 = Eindaanslag hoog
04	Omlaag
40	Instructie OPEN percentage percentage 0 - 255 0 = Eindaanslag laag 255 = Eindaanslag hoog
50	Lees zender in geheugen
51	In geheugen opslaan
60	Uit geheugen verwijderen
65	Alle opgeslagen zenders uit het geheugen verwijderen
66	Parameters motor annuleren
20	Eindeloop 0 in actuele positie opslaan
21	Eindeloop 1 in actuele positie opslaan
22	Deelafstandswaarde 1 in actuele positie opslaan
23	Deelafstandswaarde 2 in actuele positie opslaan
24	Deelafstandswaarde 3 in actuele positie opslaan
25	Deelafstandswaarde 4 in actuele positie opslaan
26	Deelafstandswaarde 5 in actuele positie opslaan
27	Deelafstandswaarde 6 in actuele positie opslaan
30	Eindaanslag 0 annuleren
31	Eindaanslag 1 annuleren
32	Deelafstandswaarde 1 annuleren
33	Deelafstandswaarde 2 annuleren
34	Deelafstandswaarde 3 annuleren
35	Deelafstandswaarde 4 annuleren
36	Deelafstandswaarde 5 annuleren
37	Deelafstandswaarde 6 annuleren

05	Omhoog
12	Beweeg in kleine stappen omhoog
03	STOP
13	Beweeg in kleine stappen omlaag
06	Beweeg naar deelafstandswaarde 1
07	Beweeg naar deelafstandswaarde 2
08	Beweeg naar deelafstandswaarde 3
09	Beweeg naar deelafstandswaarde 4
10	Beweeg naar deelafstandswaarde 5
11	Beweeg naar deelafstandswaarde 6

Opmerking – De beschikbare instructies moeten ook voor de motor beschikbaar zijn.

5.5.1 – Instructie Beweeg naar deelafstandswaarde 1, 2, 3, 4, 5, 6

Na het instellen van de deelafstandswaarde beweegt de motor naar de ingestelde afstandswaarde.

Structuur

Start	TT ADR [XX]	TT ENDPOINT [YY]	Instructie [AA]	Gegevens	CR
CMD	IND	04	06	-	-

Het veld gegevens is leeg.

Voorbeeld

Start	TT ADR [XX]	TT ENDPOINT [YY]	Instructie [AA]	Gegevens	CR
CMD	01	04	06	-	-

Antwoord

Start	TT ADR [XX]	TT ENDPOINT [YY]	Instructie [AA]	Gegevens	CR
RISP	01	04	06	-	-

5.5.2 – Instructie voor STOP

Stopt de motor.

Structuur

Start	TT ADR [XX]	TT ENDPOINT [YY]	Instructie [AA]	Gegevens	CR
CMD	IND	04	03	-	-

Het veld gegevens is leeg.

Voorbeeld

Start	TT ADR [XX]	TT ENDPOINT [YY]	Instructie [AA]	Gegevens	CR
CMD	01	04	06	-	-

Antwoord

Start	TT ADR [XX]	TT ENDPOINT [YY]	Instructie [AA]	Gegevens	CR
RISP	01	04	06	-	-

5.5.3 – Instructie voor OMHOOG

Instructie voor het omhooggaan van de motor tot de ingestelde eindaanslag.

Structuur

Start	TT ADR [XX]	TT ENDPOINT [YY]	Instructie [AA]	Gegevens	CR
CMD	IND	04	05	-	-

Het veld gegevens is leeg.

Voorbeeld

Start	TT ADR [XX]	TT ENDPOINT [YY]	Instructie [AA]	Gegevens	CR
CMD	01	04	05	-	-

Antwoord

Start	TT ADR [XX]	TT ENDPOINT [YY]	Instructie [AA]	Gegevens	CR
RISP	01	04	05	-	-

5.5.4 – Instructie voor OMLAAG

Instructie voor het omlaaggaan van de motor tot de ingestelde eindaanslag.

Structuur

Start	TT ADR [XX]	TT ENDPOINT [YY]	Instructie [AA]	Gegevens	CR
CMD	IND	04	04	-	-

Het veld gegevens is leeg.

Voorbeeld

Start	TT ADR [XX]	TT ENDPOINT [YY]	Instructie [AA]	Gegevens	CR
CMD	01	04	04	-	-

Antwoord

Start	TT ADR [XX]	TT ENDPOINT [YY]	Instructie [AA]	Gegevens	CR
RISP	01	04	04	-	-

5.5.5 – Instructie voor Beweging in kleine stappen omlaag

Stuurt een instructie voor omlaaggaan. De versie “step” beweegt de motor in kleine stappen, ook voorbij de eindaanslag.

Let op: de richtingen van de op- en neergang worden correct bepaald nadat de eindaanslag is ingesteld.

Structuur

Start	TT ADR [XX]	TT ENDPOINT [YY]	Instructie [AA]	Gegevens	CR
CMD	IND	04	13	-	-

Het veld gegevens is leeg.

Voorbeeld

Start	TT ADR [XX]	TT ENDPOINT [YY]	Instructie [AA]	Gegevens	CR
CMD	01	04	13	-	-

Antwoord

Start	TT ADR [XX]	TT ENDPOINT [YY]	Instructie [AA]	Gegevens	CR
RISP	01	04	13	-	-

5.5.6 – Instructie voor Beweeg in kleine stappen omhoog

Stuurt een instructie voor omhooggaan. De versie “step” beweegt de motor in kleine stappen, ook voorbij de eindaanslag.

Let op: de richtingen van de op- en neergang worden correct bepaald nadat de eindaanslag is ingesteld.

Structuur

Start	TT ADR [XX]	TT ENDPOINT [YY]	Instructie [AA]	Gegevens	CR
CMD	IND	04	12	-	-

Het veld gegevens is leeg.

Voorbeeld

Start	TT ADR [XX]	TT ENDPOINT [YY]	Instructie [AA]	Gegevens	CR
CMD	01	04	12	-	-

Antwoord

Start	TT ADR [XX]	TT ENDPOINT [YY]	Instructie [AA]	Gegevens	CR
RISP	01	04	12	-	-

5.5.7 – Deelafstandswaarde 1, 2, 3, 4, 5, 6 en eindaanslagwaarde 0 en 1 opslaan

Wijst de huidige afstandswaarde aan een variabele toe.

Structuur

Start	TT ADR [XX]	TT ENDPOINT [YY]	Instructie [AA]	Gegevens	CR
CMD	IND	04	-	-	-

Het veld gegevens is leeg.

Voorbeeld

Start	TT ADR [XX]	TT ENDPOINT [YY]	Instructie [AA]	Gegevens	CR
CMD	01	04	20	-	-

Antwoord

Start	TT ADR [XX]	TT ENDPOINT [YY]	Instructie [AA]	Gegevens	CR
RISP	01	04	20	-	-

5.5.8 – Deelafstandswaarde 1, 2, 3, 4, 5, 6 en eindaanslagwaarde 0 en 1 annuleren

Annuleert de ingevulde waarde.

Structuur

Start	TT ADR [XX]	TT ENDPOINT [YY]	Instructie [AA]	Gegevens	CR
CMD	IND	04	-	-	-

Het veld gegevens is leeg.

Voorbeeld

Start	TT ADR [XX]	TT ENDPOINT [YY]	Instructie [AA]	Gegevens	CR
CMD	01	04	30	-	-

Antwoord

Start	TT ADR [XX]	TT ENDPOINT [YY]	Instructie [AA]	Gegevens	CR
RISP	01	04	30	-	-

5.5.9 – Lezing van de positie percentage 0 - 255 0 = Eindanslag laag 255 = Eindanslag hoog

Leest de actuele positie van de motor in de vorm van een percentage.
PP in het veld gegevens is de positie uitgedrukt in een percentage.

Structuur

Start	TT ADR [XX]	TT ENDPOINT [YY]	Instructie [AA]	Gegevens	CR
CMD	IND	04	45	-	-

Het veld gegevens is leeg.

Voorbeeld

Start	TT ADR [XX]	TT ENDPOINT [YY]	Instructie [AA]	Gegevens	CR
CMD	01	04	45	-	-

Antwoord

Start	TT ADR [XX]	TT ENDPOINT [YY]	Instructie [AA]	Gegevens	CR
RISP	01	04	45	128	-

5.5.10 – Beweeg naar de positie percentage 0 - 255 0 = Eindanslag laag 255 = Eindanslag hoog

Beweegt de motor naar de positie X.
PP in het veld gegevens is de positie uitgedrukt in een percentage.

Structuur

Start	TT ADR [XX]	TT ENDPOINT [YY]	Instructie [AA]	Gegevens	CR
CMD	IND	04	40	PP	-

Het veld gegevens is leeg.

Voorbeeld

Start	TT ADR [XX]	TT ENDPOINT [YY]	Instructie [AA]	Gegevens	CR
CMD	01	04	40	25	-

Antwoord

Start	TT ADR [XX]	TT ENDPOINT [YY]	Instructie [AA]	Gegevens	CR
RISP	01	04	40	25	-

5.5.11 – Instructie Alle opgeslagen zenders uit het geheugen verwijderen

Annuleert alle radio-instructies van de motor.

Structuur

Start	TT ADR [XX]	TT ENDPOINT [YY]	Instructie [AA]	Gegevens	CR
CMD	IND	04	65	-	-

Het veld gegevens is leeg.

Voorbeeld

Start	TT ADR [XX]	TT ENDPOINT [YY]	Instructie [AA]	Gegevens	CR
CMD	01	04	65	-	-

Antwoord

Start	TT ADR [XX]	TT ENDPOINT [YY]	Instructie [AA]	Gegevens	CR
RISP	01	04	65	-	-

5.5.12 – Instructie Parameters motor annuleren

Annuleert alle gegevens van de eindaanslag van de motor.

Structuur

Start	TT ADR [XX]	TT ENDPOINT [YY]	Instructie [AA]	Gegevens	CR
CMD	IND	04	66	-	-

Het veld gegevens is leeg.

Voorbeeld

Start	TT ADR [XX]	TT ENDPOINT [YY]	Instructie [AA]	Gegevens	CR
CMD	01	04	66	-	-

Antwoord

Start	TT ADR [XX]	TT ENDPOINT [YY]	Instructie [AA]	Gegevens	CR
RISP	01	04	66	-	-

5.6 – Instructies voor geheugenopslag en weergave van de lijsten

Er kunnen twee lijsten met instructies (max. 30) worden opgeslagen. De instructies worden uitgevoerd wanneer een overgang van de 12V triggerinput plaatsvindt of de gebeurtenis trigger up of down van de zender.

De instructie van de seriële poort om de instructies op te slaan die moeten worden uitgevoerd wanneer het signaal van laag naar hoog gaat, is:

MEM_ON [XX] [YY] [XX1] [YY1] [...] [...] [Carriage Return]

Opmerking – De velden zijn met een spatie van elkaar gescheiden en de string eindigt met Carriage Return.

Belangrijk! – Het adres 1 wordt gebruikt om instructies naar de mechanische motor te sturen.

De velden zijn:

MEM_ON Dit is de string die de instructies in de eerste lijst opslaat.

[XX] Het adres van de inrichting waarnaar de instructie wordt gestuurd. Dit bestaat verplicht uit twee hexadecimale cijfers.

[YY] De instructie die naar de inrichting wordt gestuurd. Deze bestaat verplicht uit twee cijfers volgens de hiervoor weergegeven tabel van de instructies.

De achtereenvolgende paren **[XX]** en **[YY]** vertegenwoordigen de andere N instructies die naar de motoren gestuurd kunnen worden, met 30 als limiet.

Bijvoorbeeld, om naar inrichting 2 de instructie omhoog, naar de inrichting 3 de instructie sluit en naar 5 de instructie beweeg in kleine stappen omhoog te sturen, is de instructie

```
MEM_ON 02 05 03 04 05 12 [Carriage Return]
```

Het antwoord zal zoiets zijn als:

```
MEM_ON 02 05 03 04 05 12
LIST TRIGGER ON:
CMD 1--> addr: 2, cmd: 5
CMD 2--> addr: 3, cmd: 4
CMD 3--> addr: 5, cmd: 12
```

De lijst die de gebeurtenis van de dalende flank van de trigger beheert, heeft een analoge werking behalve voor de instructie. In dit geval wordt het:

```
MEM_OFF [XX] [YY] [XX1] [YY1] [...] [...] [Carriage Return]
```

Gebruikmakend van het voorgaande voorbeeld wordt het:

```
MEM_OFF 02 05 03 04 05 12 [Carriage Return]
```

Het antwoord zal zoiets zijn als:

```
MEM_OFF 02 05 03 04 05 12
LIST TRIGGER OFF:
CMD 1--> addr: 2, cmd: 5
CMD 2--> addr: 3, cmd: 4
CMD 3--> addr: 5, cmd: 12
```

5.7 – De lijsten met instructies weergeven

Het is mogelijk om de twee opgeslagen lijsten op beeld weer te geven. Het volstaat om de instructie **LIST** te geven en te verzenden om de complete lijsten te krijgen. De instructie is:

```
LIST [Carriage Return]
```

Bijvoorbeeld, door List in te toetsen na de twee voorgaande instructies te hebben gegeven, krijgen we:

```
LIST
LIST TRIGGER ON:
CMD 1--> addr: 2, cmd: 5
CMD 2--> addr: 3, cmd: 4
CMD 3--> addr: 5, cmd: 12
LIST TRIGGER OFF:
CMD 1--> addr: 2, cmd: 5
```

CMD 2--> addr: 3, cmd: 4
CMD 3--> addr: 5, cmd: 12

5.8 – Instructie om de duur van de bewegingen van de mechanische motor in te stellen

De mechanische motor heeft een instelbare tijd voor de duur van de bewegingen. De instructie die hiervoor gebruikt wordt, is:

SET_TIME [XXX] [Carriage Return]

De velden zijn met een spatie van elkaar gescheiden en de string eindigt met Carriage Return.

De velden zijn:

SET_TIME Instructie om de tijd in te stellen.

[XXX] Waarde in seconden (max 240).

De defaultwaarde bij de eerste inschakeling is 10 seconden en wordt bij elke wijziging in het geheugen opgeslagen. Bij de volgende inschakeling wordt de laatst opgeslagen waarde gebruikt.

5.9 – Het adres van een inrichting wijzigen

Het adres van een motor kan worden ingesteld met de instructie:

ADR [XX] [YY] [Carriage Return]

De velden zijn met een spatie van elkaar gescheiden en de string eindigt met Carriage Return.

De velden zijn:

[XX] Actuele adres van de motor. Het adres wordt verplicht met twee hexadecimale cijfers geschreven.

[YY] Nieuwe adres van de motor. Het adres wordt verplicht met twee hexadecimale cijfers geschreven.

Om bijvoorbeeld het adres van de motor van 03 in 07 te wijzigen, gebruikt u de instructie

ADR 03 07 [Carriage Return]

5.10 – Informatie over opgeslagen zenders weergeven

Het is mogelijk om informatie over opgeslagen zenders weer te geven met de instructie:

TLC_STATUS [Carriage Return]

De informatie betreft het aantal opgeslagen zenders en de werkingswijze.

Het antwoord zal zoiets zijn als:

tlc_status

Number of remote control in mem: 3

Number of free position in mem: 29

TLC 1 : Mode 2 - Function number 1 - Key UP

TLC 2 : Mode 1

TLC 3 : Mode 2 - Function number 2 - Key DOWN

5.11 – Activeerbare instructies voor domoticasystemen

De instructie activeert op de besturingseenheid de bidirectionele verzending van gegevens, weergave van de seriële radiocodes en verzending van de positie van de automatisering tijdens de manoeuvre.

Invoeren:

WEB_ON [Carriage Return]

Op deze wijze wordt de weergave van seriële radiocodes geactiveerd, indien deze in de besturingseenheid zijn opgeslagen, en kan de instructie pos worden gebruikt om de motoren procentueel te bewegen en de manoeuvre te volgen.

Instructie voor deactivering:

WEB_OFF [Carriage Return]

Op deze wijze wordt de weergave van codes geactiveerd.

5.11.1 – Weergave van seriële radiocodes

Als de TT6 een radiosignaal van een van de opgeslagen afstandsbedieningen ontvangt, worden de volgende gegevens over de zender serieel verzonden.

RAD * 0003E965 0000 0100000000

De eerste 8 cijfers staan voor de code van de afstandsbediening, de 4 volgende cijfers staan voor het variabele deel van de code van de afstandsbediening (gemaskeerd als nullen). Van de laatste 10 cijfers staan de eerste 4 voor de

ingedrukte toets en zijn de laatste 6 voor toekomstig gebruik.

5.11.2 – Instructie procentuele motorbeweging

Om de motoren over een percentage van hun totale bewegingsbereik te laten bewegen (na instelling van de eindaan-slagen) gebruikt men de instructie:

POS > [XX] [YY] [PPPP] [ZZZZ] [TT] [Carriage Return]

Waarbij:

[XX]	Het adres van de motor is.
[YY]	Het knooppunt is (voor screenmotoren is de standaard 04).
[PPPP]	De procentuele waarde is die bereikt moet worden, uitgedrukt in duizendsten.
[ZZZZ] [TT]	De laatste twee parameters in de screenmotoren voor toekomstige toepassingen op FFFF en FF zijn ingesteld.

Om motor nummer 02 bijvoorbeeld naar de middenwaarde (0500) van zijn bewegingsbereik te brengen, moet de instructie als volgt worden samengesteld:

POS # 02 04 0500 FFFF FF

Tijdens de beweging worden de tekenreeksen met de actuele positie van de motor als asynchrone berichten verzonden.

den, totdat de motor de gewenste positie bereikt; de notatie is:

POS * 02 04 xxxx FFFF FF

Waarbij **xxxx** de instantpositie van de motor is. In geval van een fout in de syntaxis van de opdracht wordt het foutveld toegevoegd aan het antwoord met waarde 01; de velden worden gevuld tot aan het eerste foute veld, en de navolgende velden worden gevuld met 0xF, bijvoorbeeld:

POS ! 02 04 FFFF FFFF FF 01

In geval van time-out zal het foutbericht als foutcode de waarde 00 hebben, bijvoorbeeld:

POS ! 02 04 0800 FFFF FF 00

Waarbij **xxxx** de instantpositie van de motor is. De automatisering heeft niet op de verzonden instructie gereageerd.

5.11.3 – Instructie actuele positie motor lezen

Om de actuele positie van de automatisering te lezen, gebruikt men de instructie:

POS < [XX] [YY] [AAAA] [ZZZZ] [TT] [Carriage Return]

Waarbij:

[XX]	Het adres van de motor is.
[YY]	Het knooppunt is (voor screenmotoren is de standaard 04).
[PPPP] [ZZZZ] [TT]	Allemaal gevuld met 0xF in geval van lezen.

Het antwoord is van het type:

POS * 02 04 0500 FFFF FF

Waarbij de actuele positie van de motor wordt aangegeven.

5.11 – Instructies voor hulp

De twee instructies voor hulp zijn:

HELP	Instructie om een beschrijving van de beschikbare instructies via seriële poort weer te geven.
HELP_TTBUS	Instructie om de tabel met instructies voor de TTBUS weer te geven.
HELP_TLC	Instructie om de lijst van de functies van procedure 2 weer te geven.

6 – AFVALVERWERKING VAN HET PRODUCT

Dit product maakt integraal deel uit van de automatisering die het aanstuurt en moet dus samen daarmee naar de afvalverwerking worden gestuurd.

Wanneer de levensduur van dit product ten einde is, dienen, zoals dit ook bij de installatiewerkzaamheden het geval is, de ontmantelingswerkzaamheden door gekwalificeerd personeel te worden uitgevoerd. Dit product bestaat uit verschillende soorten materialen: sommige daarvan kunnen opnieuw gebruikt worden, terwijl andere als afval verwerkt dienen te worden. Win inlichtingen in over de methoden van hergebruik of afvalverwerking in en houd u aan de plaatselijk voor dit soort producten van kracht zijnde voorschriften.

Let op! – Sommige onderdelen van het product kunnen vervuilende of gevaarlijke stoffen bevatten: indien die in het milieu zouden verdwijnen, zouden ze schadelijke gevolgen voor het milieu en de menselijke gezondheid kunnen opleveren.

Zoals dat door het symbool hiernaast is aangegeven, is het verboden dit product met het gewone huisafval weg te gooien. Scheid uw afval voor verwerking op een manier zoals die in de plaatselijke regelgeving is voorzien of lever het product bij uw leverancier in wanneer u een nieuw gelijksoortig product koopt.

Let op! – De plaatselijk geldende regelgeving kan in zware straffen voorzien in geval van illegale dumping van dit product.



7 – TECHNISCHE GEGEVENEN

- **Voeding:** 110 ÷ 240 Vac 50/60 Hz
- **Max. opgenomen stroom:** 80 mA in stand-by, 3 A bij maximale belasting
- **Coderingen:** FloR (rolling code)
- **Frequentie:** 433.92 MHz
- **Impedantie antenne:** 52 ohm
- **Gevoeligheid:** beter dan 0,5µV voor volledig verzonden signaal
- **Bereik:** geschat op 200 m in open ruimtes en 35 m in gebouwen
- **Aantal zenders dat kan worden opgeslagen:** 30
- **Uitgangen:** nr. 1 uitgang voor de besturing van een tweefasenmotor
- **Vermogen van de contacten:** 3 A - 250 V
- **Beschermingsklasse:** IP44 (met intacte houder)
- **Bedrijfstemperatuur:** -20 ÷ +55° C
- **Afmetingen / gewicht:** 128 x 112 x 43 mm / 260 g

Opmerkingen:

– De werkingsafstand tussen zenders en ontvangers (bereik) wordt sterk beïnvloed door andere inrichtingen die in hetzelfde gebied en op dezelfde frequentie werken (bijvoorbeeld: alarmsystemen, hoofdtelefoons etc.). In dergelijke gevallen kan Nice geen enkele garantie bieden met betrekking tot het effectieve bereik van haar inrichtingen.

– Alle vermelde technische gegevens hebben betrekking op een omgevingstemperatuur van 20° C (± 5° C).

– Nice behoudt zich het recht voor om, op elk moment dat dit noodzakelijk geacht wordt, wijzigingen aan het product aan te brengen, waarbij hoe dan ook de gebruiksbesteding en de functionaliteit ervan gelijk blijven.

EN - CE DECLARATION OF CONFORMITY

Declaration in conformity to Directive 1999/5/EC

Note – The content of this declaration corresponds to that specified in the official document deposited at the Nice S.p.A. headquarters and, in particular, to the latest revised edition available prior to the publishing of this manual. The text herein was readapted for editorial reasons. A copy of the original declaration can be requested from Nice S.p.a. (prov. of Treviso – Italy).

Number: 400/TT6

Revision: 0

Language: EN

The undersigned, Luigi Paro, in his role of Managing Director, hereby declares, under his sole responsibility, that the product:

Manufacturer's name: NICE s.p.a.

Address: Via Pezza Alta 13, Z.I. Rustigné,
31046 Oderzo (TV), Italy

Type: Control units for shutters, awnings and similar

Models: TT6

Accessories:

Complies with the essential requirements pursuant to Article 3 of the following European directive, relevant to the use for which the products are intended:

- Directive 1999/5/EC of the European parliament and Council dated 9th March 1999 on radio equipment and telecommunications terminal equipment and the mutual recognition of their conformity, according to the following harmonised regulations
 - Health and safety (Art. 3(1)(a)): EN 50371:2002
 - Electrical safety (Art. 3(1)(a)): EN 60950-1:2006+A11:2009
 - Electromagnetic compatibility (Art. 3(1)(b)):
EN 301 489-1 V1.8.1:2008, EN 301 489-3 V1.4.1:2002
 - Radio spectrum (Art. 3(2)): EN 300 220-2 V2.3.1:2010

Moreover, the product complies with that specified in the following European directives:

- Directive 2006/95/EC of the European Parliament and Council dated 12th December 2006 on the harmonisation of the laws of Member states relating to electrical equipment designed for use within certain voltage limits, according to the following harmonised regulations
EN 60335-1:2002 + A1:2004 + A11:2004 + A12:2006 + A2:2006 + A13:2008, EN 60335-2-97:2006+A11:2008, EN50366:2003+A1:2006

Oderzo, 9th May 2011

Mr. Luigi Paro (Managing Director)



IT - DICHIARAZIONE CE DI CONFORMITÀ

Dichiarazione in accordo alla Direttiva 1999/5/CE

Nota - Il contenuto di questa dichiarazione corrisponde a quanto dichiarato nel documento ufficiale depositato presso la sede di Nice S.p.a., e in particolare, alla sua ultima revisione disponibile prima della stampa di questo manuale. Il testo qui presente è stato riadattato per motivi editoriali. Copia della dichiarazione originale può essere richiesta a Nice S.p.a. (TV) I.

Numero: 400/TT6

Revisione: 0

Lingua: IT

Il sottoscritto Luigi Paro in qualità di Amministratore Delegato, dichiara sotto la propria responsabilità che il prodotto:

Nome produttore: NICE s.p.a.

Indirizzo: Via Pezza Alta 13, Z.I. Rustigné, 31046
Oderzo (TV), Italia

Tipo: Centrali di comando per tapparelle, tende da sole e similari

Modelli: TT6

Accessori:

Risulta conforme ai requisiti essenziali richiesti dall'articolo 3 della seguente direttiva comunitaria, per l'uso al quale i prodotti sono destinati:

- Direttiva 1999/5/CE DEL PARLAMENTO EUROPEO E DEL CONSIGLIO del 9 marzo 1999 riguardante le apparecchiature radio e le apparecchiature terminali di comunicazione e il reciproco riconoscimento della loro conformità, secondo le seguenti norme armonizzate
 - Protezione della salute (art. 3(1)(a)): EN 50371:2002
 - Sicurezza elettrica (art. 3(1)(a)): EN 60950-1:2006+A11:2009
 - Compatibilità elettromagnetica (art. 3(1)(b)):
EN 301 489-1 V1.8.1:2008, EN 301 489-3 V1.4.1:2002
 - Spettro radio (art. 3(2)): EN 300 220-2 V2.3.1:2010

Inoltre il prodotto risulta conforme a quanto previsto dalle seguenti direttive comunitarie:

- Direttiva 2006/95/CE DEL PARLAMENTO EUROPEO E DEL CONSIGLIO del 12 dicembre 2006 concernente il ravvicinamento delle legislazioni degli Stati membri relative al materiale elettrico destinato ad essere adoperato entro taluni limiti di tensione, secondo le seguenti norme armonizzate
EN 60335-1:2002 + A1:2004 + A11:2004 + A12:2006 + A2:2006 + A13:2008, EN 60335-2-97:2006+A11:2008, EN50366:2003+A1:2006

Oderzo, 9 maggio 2011

Ing. Luigi Paro (Amministratore Delegato)



FR - DÉCLARATION DE CONFORMITÉ

Déclaration conforme à la Directive 1999/5/CE

Note – Le contenu de cette déclaration correspond en tous points au document officiel déposé au siège de la société Nice S.p.a., et plus particulièrement, à sa dernière révision disponible avant l'impression de cette notice technique. Le présent texte a été réélaboré pour des raisons d'édition. Une copie de la déclaration originale peut être demandée à Nice S.p.a. (TV) I.

Numéro : 400/TT6

Révision : 0

Langue : FR

Je soussigné Luigi Paro en qualité d'Administrateur Délégué, déclare sous mon entière responsabilité que le produit :

Nom du producteur : NICE s.p.a.

Adresse : Via Pezza Alta 13, Z.I. Rustigné, 31046 Oderzo (TV), Italie

Type : Logiques de commande pour volets roulants, stores et similaires

Modèles : TT6

Accessoires :

Est conforme aux critères essentiels requis par l'article 3 de la directive communautaire suivante, pour l'usage auquel ces produits sont destinés :

- Directive 1999/5/CE DU PARLEMENT EUROPÉEN ET DU CONSEIL du 9 mars 1999 concernant les équipements hertziens et les équipements terminaux de télécommunications et la reconnaissance mutuelle de leur conformité, selon les normes harmonisées suivantes
 - Protection de la santé (art. 3(1)(a)) : EN 50371:2002
 - Sécurité électrique (art. 3(1)(a)) : EN 60950-1:2006+A11:2009
 - Compatibilité électromagnétique (art. 3(1)(b)) : EN 301 489-1 V1.8.1:2008, EN 301 489-3 V1.4.1:2002
 - Spectre radio (art. 3(2)) : EN 300 220-2 V2.3.1:2010

En outre, le produit est conforme à ce qui est prévu par les directives communautaires suivantes :

- Directive 2006/95/CE DU PARLEMENT EUROPÉEN ET DU CONSEIL du 12 décembre 2006 concernant le rapprochement des législations des États membres relatives au matériel électrique destiné à être employé dans certaines limites de tension, selon les normes harmonisées suivantes EN 60335-1:2002 + A1:2004 + A11:2004 + A12:2006 + A2:2006 + A13:2008, EN 60335-2-97:2006+A11:2008, EN50366:2003+A1:2006

Oderzo, 9 mai 2011

Ing. Luigi Paro (Administrateur Délégué)



ES - DECLARACIÓN DE CONFORMIDAD CE

Declaración según la Directiva 1999/5/CE

Nota - El contenido de esta declaración corresponde a lo declarado en el documento oficial depositado en la sede de Nice S.p.a. y, en particular, a su última revisión disponible antes de la impresión de este manual. El texto ha sido readaptado por motivos editoriales. Es posible solicitar una copia de la declaración original a Nice S.p.a. (Treviso) Italia.

Número: 400/TT6

Revisión: 0

Idioma: ES

El que suscribe, Luigi Paro, en su carácter de Administrador Delegado, declara bajo su responsabilidad que el producto:

Nombre del fabricante: NICE s.p.a.

Dirección: Via Pezza Alta 13, Z.I. Rustigné, 31046 Oderzo (TV), Italia

Type: Centrales de mando para persianas, toldos y afines

Modelos: TT6

Accesorios:

Resulta conforme a los requisitos esenciales del artículo 3 de la siguiente directiva comunitaria, si se le da el uso al que está destinado:

- Directiva 1999/5/CE DEL PARLAMENTO EUROPEO Y DEL CONSEJO del 9 de marzo de 1999 relativa a los equipos radioeléctricos y equipos terminales de comunicación y al recíproco reconocimiento de su conformidad según las siguientes normas armonizadas
 - Protección de la salud (art. 3(1)(a)): EN 50371:2002
 - Seguridad eléctrica (art. 3(1)(a)): EN 60950-1:2006+A11:2009
 - Compatibilidad electromagnética (art. 3(1)(b)): EN 301 489-1 V1.8.1:2008, EN 301 489-3 V1.4.1:2002
 - Espectro radio (art. 3(2)): EN 300 220-2 V2.3.1:2010

Además, el producto responde a las prescripciones de las siguientes directivas comunitarias:

- Directiva 2006/95/CE DEL PARLAMENTO EUROPEO Y DEL CONSEJO del 12 diciembre de 2006 relativa a la asimilación de las leyes de los Estados miembros sobre el material eléctrico destinado a adoptarse dentro de los límites de tensión, según las siguientes normas armonizadas EN 60335-1:2002 + A1:2004 + A11:2004 + A12:2006 + A2:2006 + A13:2008, EN 60335-2-97:2006+A11:2008, EN50366:2003+A1:2006

Oderzo, 9 de mayo de 2011

Ing. Luigi Paro (Administrador Delegado)



DE - EG-KONFORMITÄTSERKLÄRUNG

Erklärung in Übereinstimmung mit der Richtlinie 1999/5/EG

Hinweis – Der Inhalt dieser Erklärung stimmt mit dem offiziell beim Geschäftssitz der Nice S.p.a. hinterlegten Dokument überein, insbesondere mit der letzten, vor dem Druck dieses Handbuchs verfügbaren Revision. Der hier wiedergegebene Text wurde aus verlegerischen Gründen angepasst. Eine Kopie der Originalerklärung kann bei Nice S.p.a. (TV, Italien) angefordert werden.

Nummer: 400/TT6

Revision: 0

Sprache: DE

Der Unterzeichner Luigi Paro Lauro Buoro erklärt als Geschäftsführer unter seiner Haftung, dass das Produkt:

Herstellername: NICE s.p.a.

Anschrift: Via Pezza Alta 13, Z.I. Rustigné, 31046 Oderzo (TV), Italia

Typ: Steuerungen für Rollläden, Markisen und ähnliche Produkte

Modelle:

Zubehör: TT6

mit den Erfordernissen von Artikel 3 der nachfolgend angeführten EG-Richtlinie, für den für das Produkt vorgesehenen Gebrauch, konform ist:

• RICHTLINIE 1999/5/EG DES EUROPÄISCHEN PARLAMENTS UND DES RATES vom 9. März 1999 über Funkanlagen und Telekommunikations-einrichtungen sowie die gegenseitige Anerkennung ihrer Konformität, gemäß der folgenden harmonisierten Normen

- Gesundheitsschutz (Art. 3 (1)(a)): EN 50371:2002
- Elektrische Sicherheit (Art. 3(1)(a)): EN 60950-1:2006+A11:2009
- Elektromagnetische Verträglichkeit (Art. 3(1)(b)): EN 301 489-1 V1.8.1:2008, EN 301 489-3 V1.4.1:2002
- Funkspektrum (Art. 3(2)): EN 300 220-2 V2.3.1:2010

Das Produkt stimmt darüber hinaus mit folgenden EG-Vorschriften überein:

• Richtlinie 2006/95/EG DES EUROPÄISCHEN PARLAMENTS UND DES RATES vom 12. Dezember 2006 zur Angleichung der Rechtsvorschriften der Mitgliedsstaaten betreffend elektrische Betriebsmittel zur Verwendung innerhalb bestimmter Spannungsgrenzen, gemäß der folgenden harmonisierten Normen

EN 60335-1:2002 + A1:2004 + A11:2004 + A12:2006 + A2:2006 + A13:2008, EN 60335-2-97:2006+A11:2008, EN50366:2003+A1:2006

Oderzo, 9. Mai 2011

Ing. Luigi Paro (Geschäftsführer)



PL - DEKLARACJA ZGODNOŚCI CE

Deklaracja zgodna z Dyrektywą 1999/5/WE

Uwagi – Treść niniejszej deklaracji odpowiada oświadczeniom zawartym w oficjalnym dokumencie złożonym w siedzibie firmy Nice S.p.a., a w szczególności jego ostatniej, zaktualizowanej wersji dostępnej przed oddaniem do druku niniejszej instrukcji. Zamieszczona tutaj treść została dostosowana do celów wydawniczych. Kopię oryginalnej instrukcji można uzyskać w Nice S.p.a. (TV) I

Numer: 400/TT6

Aktualizacja: 0

Język: PL

Niżej podpisany Ligi Paro w charakterze Dyrektora Generalnego oświadcza na własną odpowiedzialność, że produkt:

Nazwa producenta: NICE s.p.a.

Adres: Via Pezza Alta 13, Z.I. Rustigné, 31046 Oderzo (TV), Włochy

Typ: Centrale sterowania do żaluzji, markiz, itp.

Modele:

Akcesoria: TT6

jest zgodny z zasadniczymi wymaganiami zawartymi w artykule 3 poniższej dyrektywy unijnej, do którego to zastosowania produkty zostały przeznaczone:

- Dyrektywa 1999/5/WE PARLAMENTSU EUROPEJSKIEGO I RADY z dnia 9 marca 1999 roku w sprawie urządzeń radiowych i końcowych urządzeń telekomunikacyjnych oraz wzajemnego uznawania ich zgodności, z zachowaniem poniższych norm zharmonizowanych
 - Ochrona zdrowia: (art. 3(1)(a)): EN 50371:2002
 - Bezpieczeństwo elektryczne: (art. 3(1)(a)): EN 60950-1:2006+A11:2009
 - Kompatybilność elektromagnetyczna (art. 3(1)(b)): EN 301 489-1 V1.8.1:2008, EN 301 489-3 V1.4.1:2002
 - Widmo radiowe (art. 3(2)): EN 300 220-2 V2.3.1:2010

Ponadto produkt jest zgodny z wmgami poniższych dyrektyw unijnych:

• Dyrektywa 2006/95/WE PARLAMENTSU EUROPEJSKIEGO I RADY z dnia 12 grudnia 2006 w sprawie harmonizacji ustawodawstw państw członkowskich odnoszących się do sprzętu elektrycznego przewidzianego do stosowania w określonych granicach napięcia, z zachowaniem poniższych norm zharmonizowanych

EN 60335-1:2002 + A1:2004 + A11:2004 + A12:2006 + A2:2006 + A13:2008, EN 60335-2-97:2006+A11:2008, EN50366:2003+A1:2006

Oderzo, 9 maja 2011

Inż. Luigi Paro (Dyrektor Generalny)



NL - EG-VERKLARING VAN OVEREENSTEMMING

Verklaring in overeenstemming met de Richtlijn 1999/5/EG

Opmerking - De inhoud van deze verklaring stemt overeen met hetgeen verklaard is in het officiële document dat is neergelegd bij de vestiging van Nice S.p.a., en in het bijzonder aan de laatste revisie hiervan die voor het afdrukken van deze handleiding beschikbaar was. De hier beschreven tekst werd om uitgeversredenen opnieuw aangepast. Een kopie van de originele verklaring kan worden aangevraagd bij Nice S.p.A. (TV) I.

Nummer: 400/TT6

Revisie: 0

Taal: NL

Ondergetekende Luigi Paro in de hoedanigheid van Gedelegeerd Bestuurder, verklaart onder zijn eigen verantwoordelijkheid dat het product:

Naam fabrikant: NICE s.p.a.

Adres: Via Pezza Alta 13, Z.I. Rustignè,
31046 Oderzo (TV), Italië

Type Besturingseenheid voor rolluiken, zonneweringen
en dergelijke

Modellen: TT6

Accessoires:

voldoet aan de essentiële vereisten zoals vermeld in artikel 3 van de volgende communautaire richtlijn, voor het gebruik waarvoor de producten bestemd zijn:

• Richtlijn 1999/5/EG VAN HET EUROPESE PARLEMENT EN VAN DE RAAD van 9 maart 1999 betreffende radioapparatuur en telecommunicatie-eindapparatuur en de wederzijdse erkenning van hun conformiteit, volgens de volgende geharmoniseerde normen

- Bescherming van de gezondheid (art. 3(1)(a)): EN 50371:2002
- Veiligheid van elektrische apparatuur (art. 3(1)(a)): EN 60950-1:2006+A11:2009
- Elektromagnetische compatibiliteit (art. 3(1)(b)): EN 301 489-1 V1.8.1:2008, EN 301 489-3 V1.4.1:2002
- Radiospectrum (art. 3(2)): EN 300 220-2 V2.3.1:2010

Daarnaast is het product in overeenstemming met de bepalingen van de volgende communautaire richtlijnen:

• Richtlijn 2006/95/EG VAN HET EUROPESE PARLEMENT EN VAN DE RAAD van 12 december 2006 betreffende de onderlinge aanpassing van de wettelijke voorschriften der lidstaten inzake elektrisch materiaal bestemd voor gebruik binnen bepaalde spanningsgrenzen, volgens de volgende geharmoniseerde normen

EN 60335-1:2002 + A1:2004 + A11:2004 + A12:2006 + A2:2006 + A13:2008, EN 60335-2-97:2006+A11:2008, EN50366:2003+A1:2006

Oderzo, 9 mei 2011

Ing. Luigi Paro (Gedelegeerd Bestuurder)





Nice

Nice SpA
Oderzo TV Italia
info@niceforyou.com

www.niceforyou.com

IS0064A00MM_20-09-2011