

Instructions

Panasonic

Before attempting to connect or operate this product, please read these instructions carefully and save this manual for future use.


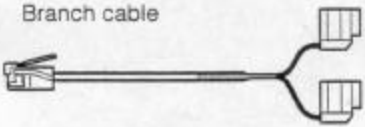



RS485 Cables & Connectors

Model No. **WV-CA48/10K**
WV-CA48/50
WV-CA48/JN
WV-CA48/TN

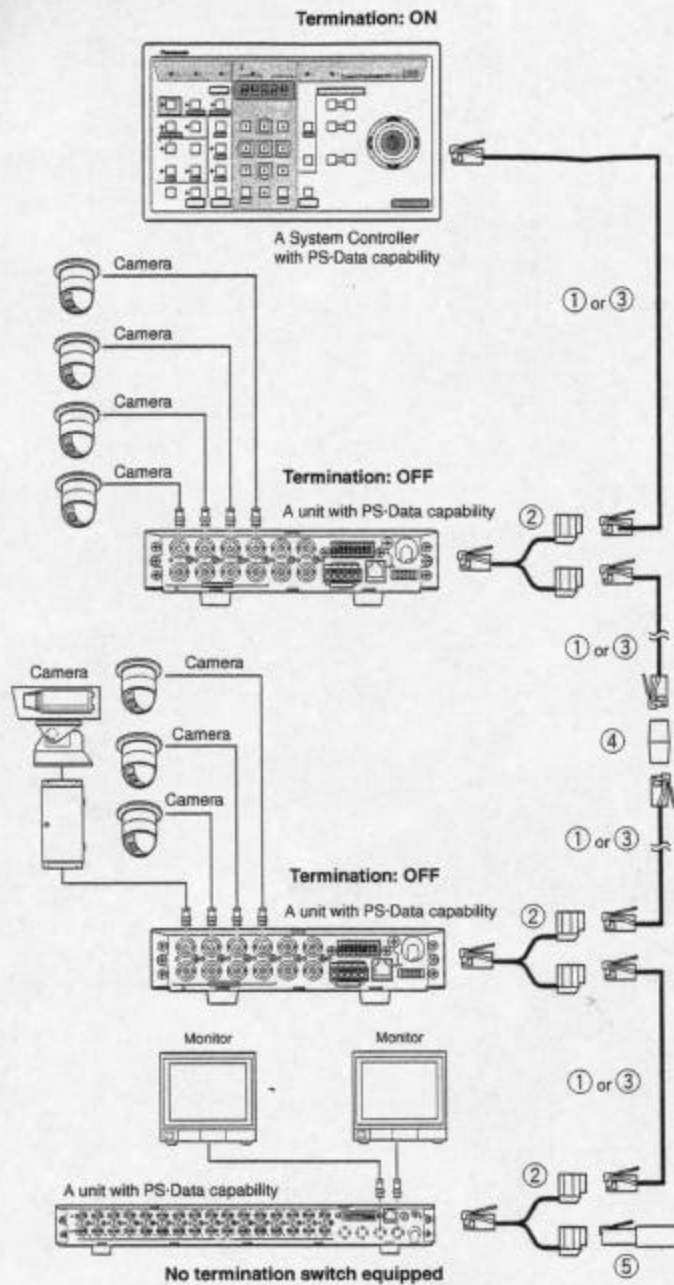
This manual describes the cables and connectors used for RS-485 communication among units with Panasonic Security Data Link (PS - Data) capability.

Parts Table

Cables and connectors are shown in the table. A 1 m cable and a branch cable are available as cable kit WV-CA48/10K. Procure the components and quantities required for your system configuration. Circled numbers are quoted in the connection diagram on the next page.

	Name & Model No.	Appearance	Description
①	Cable Kit WV-CA48/10K	1 m cable 	Length: 1 m Modular-6 plug to modular-6 plug
②		Branch cable 	Length: 16.5 cm Modular-6 plug to modular-6 receptacles
③	Cable WV-CA48/50	5 m cable 	Length: 5 m Modular-6 plug to modular-6 plug
④	Extension Connector WV-CA48/JN		Two modular-6 receptacles
⑤	Terminator WV-CA48/TN		Modular-6 plug with 150Ω

Connection



Termination

1. Termination should be made on both ends of the chain. Never turn on the termination on a unit in the middle of the chain.
2. If the unit has a termination switch set it to on or off, as may be the case.
3. If the unit does not have a switch and it is at the end of the chain, provide a termination.

Notes:

- Do not fasten the cable together with the power cord or other electric power lines to prevent communication error.
- Hold only the connector body and its stopper when you plug or unplug the connector.
- If necessary, support the cable weight with wire or tape to prevent the plug from falling off.

Caution:

- Do not plug connectors into the telephone lines to avoid troubles.

Matsushita Electric Industrial Co., Ltd.

Central P.O. Box 288, Osaka 530-91, Japan

N0500-0

YWV8QA5543AN

Printed in Japan

⑩ 19