

Panasonic

Ceiling Mount Bracket Operating Instructions

Model No. **WV-Q174**
WV-Q174E

Before attempting to connect or operate this product, please read these instructions carefully and save this manual for future use.

The model number is abbreviated in some descriptions in this manual.

Ns0810-3012 3TR006706DZA Printed in China

Features

This ceiling embedded bracket is exclusively designed to mount a color CCTV camera or a network camera. Refer to the catalog or the operating instructions of the camera for supported cameras. This bracket is an embedded type to reduce the exposed portion of the camera body.

Precautions

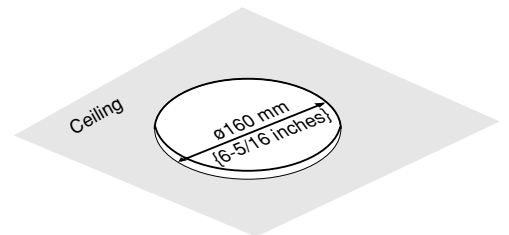
- **Refer installation work to the dealer.**
Installation work requires technique and experiences. Failure to observe this may cause fire, electric shock, injury, or damage to the product.
 - Be sure to consult the dealer.
- **Use only the specified camera.**
Failure to observe this may cause a fall of an inappropriate camera resulting in injury or accidents.
 - Refer to the catalog or the operating instructions of the camera for supported cameras.
- **Select an installation area that can support the total weight.**
If a selected area is too weak to support the total weight, a fall of the product may occur resulting in injury.
 - Installation work shall be started after sufficient reinforcement.
- **Avoid installing this bracket in the locations where salt damage occurs or corrosive gas is produced.**
Otherwise, the mounting portions will deteriorate and accidents such as a fall of the camera may occur.
- **The screws and fixation mechanisms shall be tightened securely.**
Failure to observe this may cause a fall of the camera resulting in injury.
- **Periodic inspections shall be conducted.**
Rust on the metal parts or screws may cause a fall of the product resulting in injury.
 - Consult the dealer for the inspections.
- **Do not rub the edges of metal parts with your hand.**
Failure to observe this may cause injury.
- Make sure that the installation area is strong enough to hold the total weight of the camera assembly before installation.
- The ceiling mount bracket can be installed only when there is a space whose height is 70 mm or more above a ceiling board.
- The ceiling mount bracket can be installed on a ceiling board whose thickness is 30 mm or less.
- The camera and the ceiling mount bracket should be fixed using the provided fixing screws, and make sure that the both of them are fixed firmly.
- When the ceiling mount bracket is not necessary anymore, remove from the ceiling.
- Avoid installing in the following locations.
 - Locations where it may get wet from rain or water splash (not only outdoor)
 - Locations where a chemical agent is used such as a swimming pool
 - Locations subject to steam and oil smoke such as a kitchen
 - Locations where radiation or x-ray emissions are produced
 - Locations where it may be damaged by briny air such as seashores
 - Locations where the temperature is not within the ambient temperature of the camera in use and this product
 - Locations subject to vibrations (This product is not designed for on-vehicle use.)
 - Locations where the temperature may rapidly change such as the peripheral areas of the air outlets of air conditioners or doors facing outside. (In case of installing the camera in such locations, the dome cover may become foggy or condensation may be caused on the cover.)
- The screws and bolts must be tightened with an appropriate tightening torque according to the material and strength of the installation area. After tightening the screws or bolts, perform visual check to ensure tightening is enough and there is no backlash.

Installations

Be sure to read "Precautions" before installation. It is recommended to read them while referring the operating instructions of the camera together.

1. Make a hole of 160 mm {6-5/16 inches} diameter using a specialized tool, etc.

When it is impossible to make a precise hole since no specialized tool is at hand or when it is impossible to use it because of the location, trace the hole shape using the provided template.

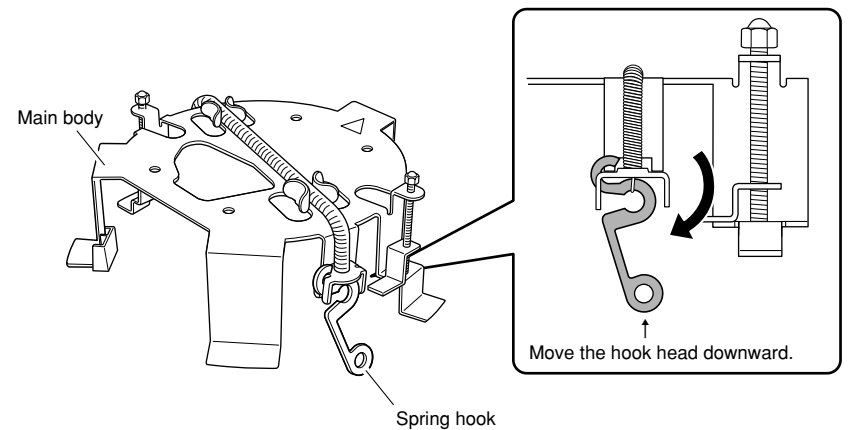


Important:

- Make a hole precisely. When the opened hole is bigger or deformed too much, the ceiling mount bracket cannot be stuck on the ceiling board securely.

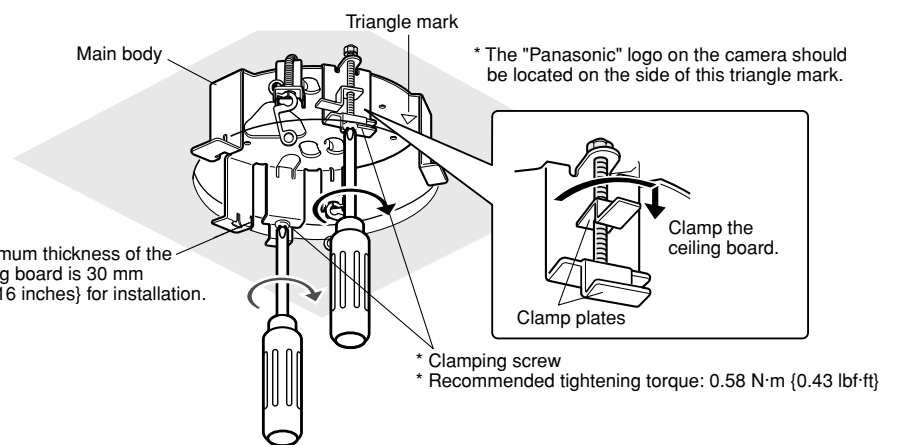
2. Position two of the spring hooks of the camera as shown in the illustration below.

When the ceiling mount bracket is installed after positioning them in the opposite side, they may become hard to pull out.



3. Fix the ceiling mount bracket onto the ceiling board.

Loosen the clamping screws until the length between the clamp plates becomes wider than the thickness of the ceiling board, and then clamp the ceiling board by tightening the clamping screws.



Important:

- When the ceiling board is the plasterboard, make sure that no crack was made on the ceiling board by clamping.

4. Connect the cables to the camera.

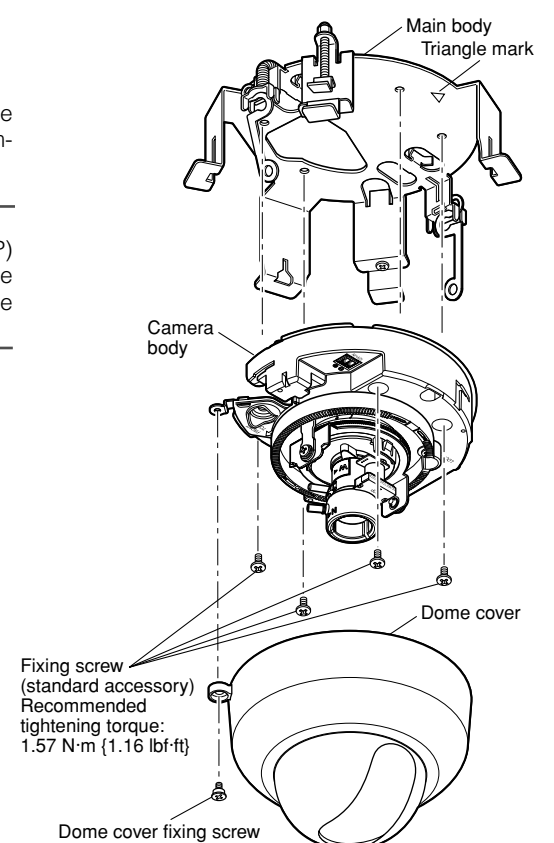
Refer to the operating instructions of the camera.

5-1. When the four mounting holes, fix the camera using four fixing screws (accessory).

Before fixing the camera, make sure that the direction marker for installation on the camera body is correctly positioned.

Important:

- This triangle mark and the arrow tip (↑TOP) of the direction marker for installation on the camera body should be located on the opposite sides.



(To be continued to the reverse page)

Installations (continued)

- 5-2. When the two mounting holes, fix the two adjustment plates using four fixing screws (accessory). And fix the camera using two fixing screws (accessory).**
Before fixing the camera, make sure that the direction marker for installation on the camera body is correctly positioned.

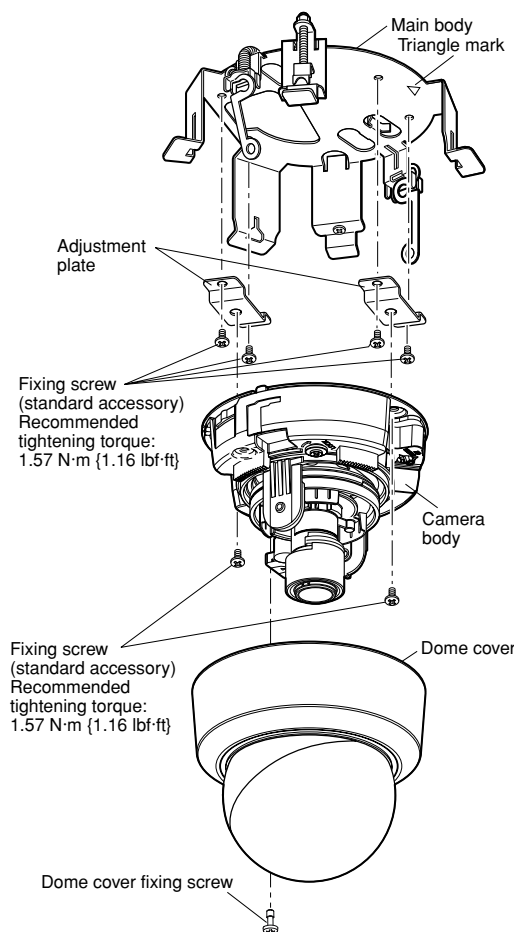
Important:

- This triangle mark and the arrow tip (↑TOP) of the direction marker for installation on the camera body should be located on the opposite sides.
- Do not pass the cables through the hole of the main body.
- Take care so that the cables do not touch the edges of the main body.

6. Adjust the angular field of view and attach the dome cover to the camera.

(Refer to the operating instructions of the camera.)

- ① Adjust the angular field of view and the focus.
- ② Attach the dome cover to the camera.
- ③ Fix the dome cover using the dome cover fixing screw.

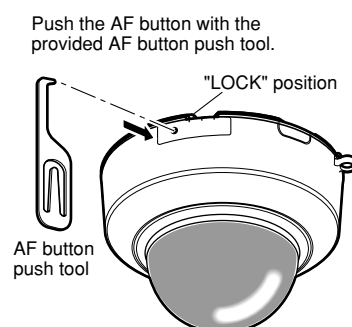


7. According to your need, set the auto focus adjustment. (This procedure is required only for a camera that has the auto focus function.)

Auto focus adjustment becomes available by pushing the AF button.

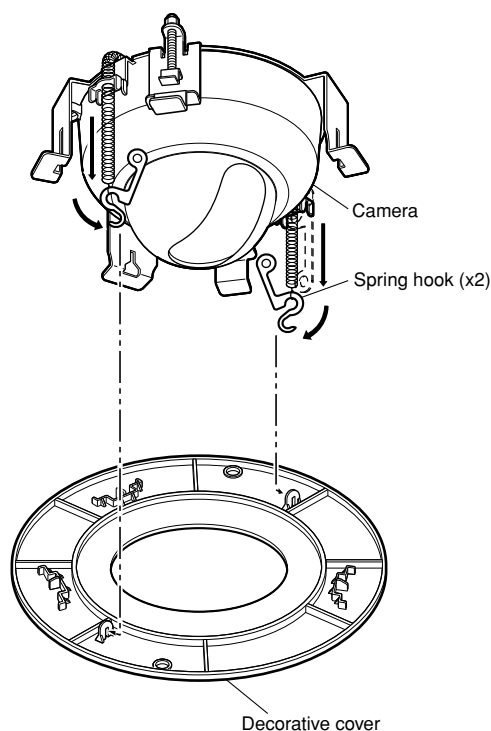
Do the following to use the auto focus function.
Refer to the operating instructions of the camera for further information.

Auto focus adjustment becomes available by pushing the AF button with the provided AF button push tool even after mounting the dome cover. In such a case, the direction of the camera and the presence of the object should be checked beforehand because visual check is not available on the monitor.



8. Attach the decorative cover.

Pull out both the spring hooks and attach the hooks to the decorative cover. Make sure that the cover is attached to the ceiling with no space between them.



* Match the "Panasonic" logos on the cover and on the camera.

Specifications

Ambient temperature: -10 °C to +50 °C {14°F to 122°F}
Dimensions: ø186 mm {7-5/16 inches} embedding depth 55 mm {2-5/32 inches}
Mass: Approx. 310 g {0.68 lbs}

Standard Accessories

Operating instructions (this document)..... 1 pc.
AF button push tool 1 pc.

The following are for installation.

Fixing screw (M4 x 8) 8 pcs. (incl. 2 spare screws)
Adjustment plate 2 pcs.
Template (for tracing the hole shape) 1 sheet

For U.S. and Canada:

**Panasonic System Communications
Company of North America,
Unit of Panasonic Corporation
of North America**
www.panasonic.com/business/
For customer support, call 1.800.528.6747
Three Panasonic Way, Secaucus, New Jersey 07094 U.S.A.

Panasonic Canada Inc.
5770 Ambler Drive, Mississauga, Ontario, L4W 2T3 Canada
(905)624-5010
www.panasonic.ca

For Europe and other countries:

Panasonic Corporation
http://panasonic.net

Importer's name and address to follow EU rules:

Panasonic Testing Centre
Panasonic Marketing Europe GmbH
Winsbergring 15, 22525 Hamburg F.R.Germany