



High Resolution, Autofocus Colour Camera with 22x Optical Zoom CCAC1415-LPI

Autofocus
Colour Camera

- High-resolution colour/BW camera 480 TVL
- Built-in 22x AF lens / 11x digital zoom
- Sensitivity: 1.0 Lux at F1.6 (AGC on, 30 IRE)
- Digital Signal Processing (DSP)
- Digital Noise Reduction (DNR)
- Automatic Exposure (AE)
- Wide Dynamic Range (WDR)
- Automatic White Balance (AWB)
- Automatic Gain Control (AGC)
- Programmable Back Light Compensation (BLC)
- Variable Slow-Speed Shutter (DSS)
- Simple parameterisation via OSD menu
- Remote parameterisation via RS-485 with Siemens SCU or Bewator-Molynx protocol
- FREEZE (Live and freeze-frame)
- OSD screen menu
- PIP (Picture In Picture)
- MIRROR (image inversion left/right)
- Dual power operation 24 V AC / 12 V DC

The CCAC1415 is a high-resolution (480 TVL) colour camera with built-in autofocus zoom lens with max. 242x zoom. The camera is designed for indoor use under variable lighting conditions.

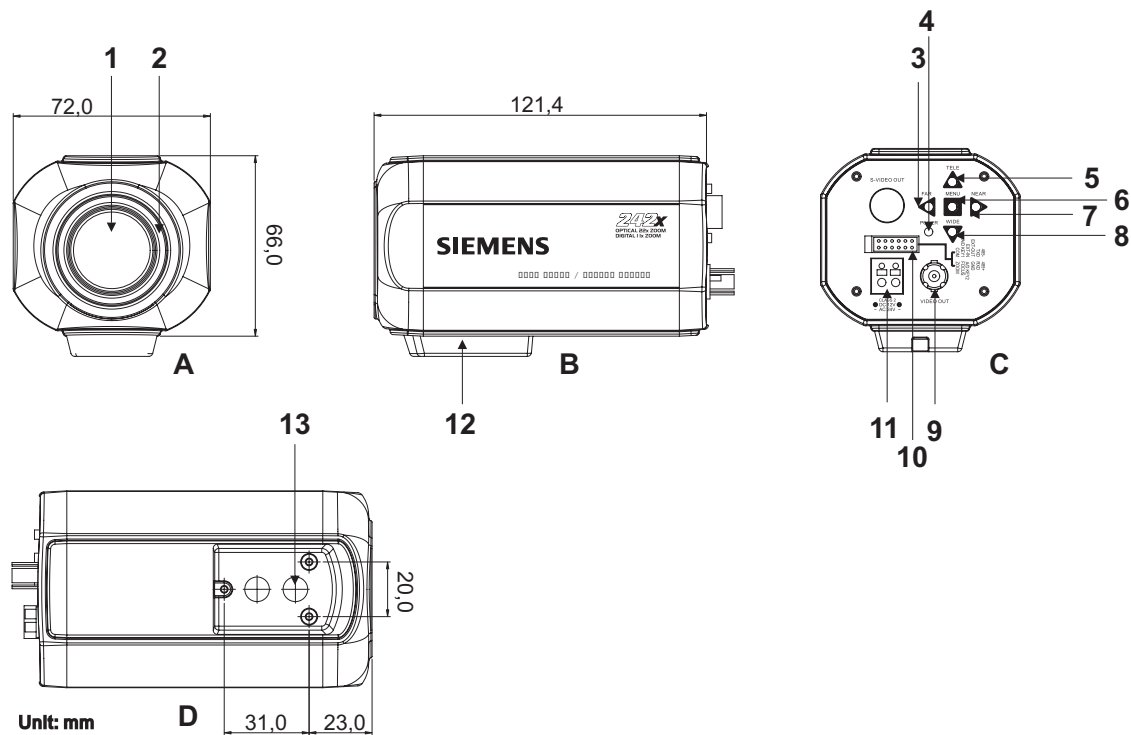
All the camera settings such as white balance, exposure settings, setting of back light compensation (BLC), Line-Lock synchronisation or digital noise reduction are done via the OSD menu. Each camera can have an individual camera text assigned to it. It is possible to specify via the display menu which text and which detailed information for the setting of the camera is to be displayed in the video image.

The camera offers the option to be switched from colour to BW operation by means of an external switch. The status of the camera can be superimposed in the video image. A small live image can be superimposed by means of the PIP function. In this way it is thus possible to freeze an image sequence with the freeze function while the live image continues to be displayed in the PIP window.

The camera can also be controlled and parameterised with the standard Siemens SCU protocol and the Bewator-Molynx protocol via the built-in RS485 interface.

In addition, the camera can also be operated with voltage-controlled inputs. The zoom and aperture functions and switching of the operating mode from colour to BW can be set here.

Dimensions



1	Zoom lens	10	Connector for control interface
2	Filter mount	11	Power input terminal
3	FAR button	12	Mounting adapter
4	Power indicator	13	¼-inch thread tripod mount hole
5	TELE button	A	Front view
6	MENU button	B	Side view
7	NEAR button	C	Rear view
8	WIDE button	D	Bottom view
9	BNC connector		

Technical data

Power supply	AC 24 V/DC 12 V (Dual Power)
Power consumption	6.5 W
Image sensor	1/4" SONY Super HAD CCD
Total pixels	795 (H) x 596 (V)
Scanning system	2:1 interlace
Scanning frequency	15.734 KHz (H), 59.94 Hz (V)
Sync. system	Internal/external (line lock)
Resolution	480 TV lines
Min. illumination	1.0 lux @ F=1.6 (AGC on, 30 IRE video output) Slow-shutter: 0.02 lux
Video output	1.0 Vpp (75 Ohm, composite)
S/N ratio	52 dB (AGC off)
Camera control	RS-485 – Siemens S; Molynx
Focus mode	Auto/Manual/Push AF
White balance	AWB/Indoor/Outdoor/Manual/WAWB
Auto exposure	Auto/Iris PRI/Shutter PRI/AGC/Manual
Iris control	Auto/Manual (F1.6 – F32)
AGC	On/Off (max. 30 dB)
Shutter speed	Normal – 1/10,000
BLC	Off/BLC1/BLC2/BLC3/BLC4/BLC5/BLC6/Level
Title	A – Z / 0 – 9
Display	On/Off/Push On (DISP0/DISP1/DISP2/Cam Text Pos)
CAM ID	001 – 255
BPS	2400/4800/9600/19200
Brightness	0 – 90 steps
Sharpness	0 – 15 steps
Distance	0.1 M/1.0 M/1.5 M/2.5 M/6.0 M
Slow-shutter	x2 – x60
Effect	D-Zoom, Nega/Posi, B/W, Mirror, PIP, Freeze
Preset	INIT/LOAD/SAVE
DNR	On/Off
SHOT	Normal/DIS/WDR/Slow-shutter
Zoom ratio	Optical zoom x22, digital zoom x11 (video AF)
Focal length	f = 3.9 – 85.8 mm
Aperture ratio	F1.6 (wide) – F3.7 (tele)
Power input	2-pin terminal block
Video output	BNC, S-Video connector
Operating temperature	-10 °C – +50 °C
Relative humidity	0 – 96% (non-condensing)
Storage temperature	-20 °C – +60 °C
External dimension	72 (W) x 74 (H) x 121.4 (D) mm
Weight	400 g

Details for ordering

Type	Order No.	Designation	Weight
CCAC1415-LPI	2GF1182-8AD	1/4" Hi-Res CCD Colour Camera PAL 480TVL Auto-focus 12 V DC/24 V AC, 6.5 W, 50 Hz	400 g
