



Autofocus  
Colour Camera

## High Resolution, Autofocus Colour Camera with 22x Optical Zoom, in Weatherproof Housing CCAC1415-LPO CCAC1415-MPO

- Weatherproof housing to IP66 with sunshield
- High-resolution colour/BW camera 480 TVL
- Built-in 22x AF lens / 11x digital zoom
- Sensitivity: 1.0 Lux at F1.6 (AGC on, 30 IRE)
- Digital Signal Processing (DSP)
- Digital Noise Reduction (DNR)
- Automatic Exposure (AE)
- Wide Dynamic Range (WDR)
- Automatic White Balance (AWB)
- Automatic Gain Control (AGC)
- Programmable Back Light Compensation (BLC)
- Variable Slow-Speed Shutter (DSS)
- Simple parameterisation via OSD menu
- Remote parameterisation via RS485 with Siemens SCU or Bewator-Molynx protocol
- FREEZE (Live and freeze-frame)
- OSD screen menu
- PIP (Picture In Picture)
- MIRROR (image inversion left/right)
- Dual power operation 24 V AC/12 V DC or 230 V AC

The CCAC1415-LPO/MPO is a high-resolution (480 TVL) colour camera with built-in autofocus zoom lens with max. 242x zoom. The camera is designed for outdoor use under variable lighting conditions. It is built into a compact and attractively styled weatherproof housing with sunshield incorporated.

All the camera settings such as white balance, exposure settings, setting of back light compensation (BLC), Line-Lock synchronisation or digital noise reduction are done via the OSD menu. Each camera can have an individual camera text assigned to it. It is possible to specify via the display menu which text and which detailed information for the setting of the camera is to be displayed in the video image.

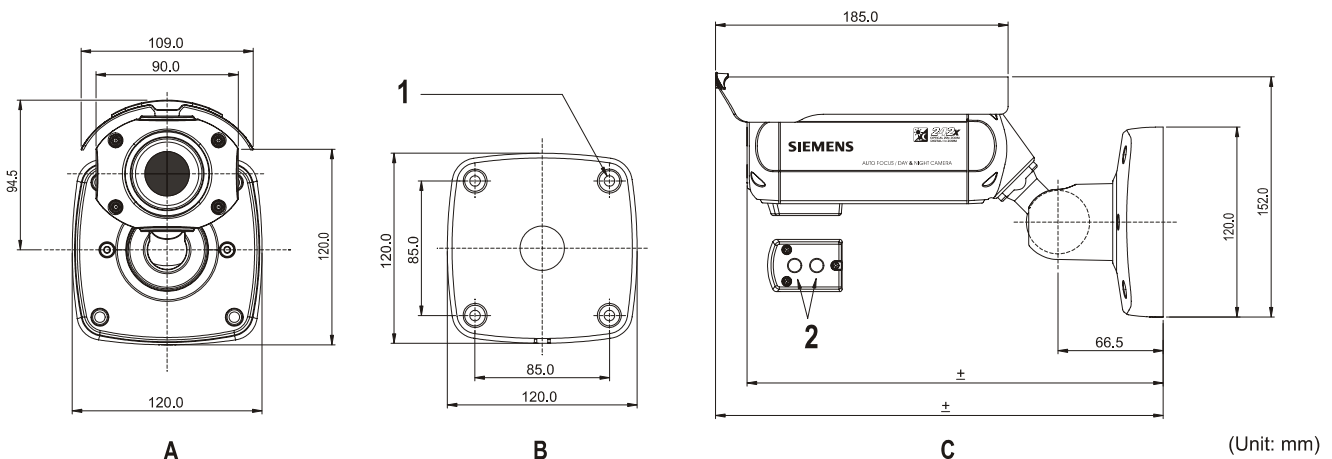
The camera offers the option to be switched from colour to BW operation by means of an external switch. The status of the camera can be superimposed in the video image.

A small live image can be superimposed by means of the PIP function. In this way it is thus possible to freeze an image sequence with the freeze function while the live image continues to be displayed in the PIP window.

The camera can also be controlled and parameterised with the standard Siemens SCU protocol and the Bewator-Molynx protocol via the built-in RS485 interface.

In addition, the camera can also be operated with voltage-controlled inputs. The zoom and aperture functions and switching of the operating mode from colour to BW can be set here. For this purpose, a control unit is supplied with each camera.

## Dimensions



<b>1</b>	4 x Ø 6.4 screw holes
<b>2</b>	2 x ¼ 20 UNC screw hole
<b>A</b>	Front view
<b>B</b>	Rear view
<b>C</b>	Side view

**Technical data**

<b>Model</b>	<b>CCAC1415-LPO</b>	<b>CCAC1415-MPO</b>
Power supply	12 V DC/24 V AC (Dual Power)	AC 100 – 240 V (free voltage)
Power consumption	9.0 W	
Image sensor	1/4" SONY Super HAD CCD	
Total pixels	795 (H) x 596 (V)	
Scanning system	2:1 interlace	
Scanning frequency	15.625 KHz (H), 50 Hz (V)	
Sync. system	Internal/external (line lock)	
Resolution	480 TV lines	
Min. illumination	1.0 lux @ F=1.6 (AGC on, 30 IRE video output) / Slow-shutter: 0.02 lux	
Video output	1.0 Vpp (75 Ohm, composite)	
S/N ratio	52 dB (AGC off)	
Camera control	RS-485 – Siemens S; Molynx	
Focus mode	Auto/Manual/Push AF	
White balance	AWB/Indoor/Outdoor/Manual/WAWB	
Auto exposure	Auto/Iris PRI/Shutter PRI/AGC/Manual	
Iris control	Auto/Manual (F1.6 – F32)	
AGC	On/Off (max. 30 dB)	
Shutter speed	Normal – 1/10,000	
BLC	Off/BLC1/BLC2/BLC3/BLC4/BLC5/BLC6/Level	
Title	A – Z / 0 – 9	
Display	On/Off/Push On (DISP0/DISP1/DISP2)	
CAM ID	001 – 255	
BPS	2400/4800/9600/19200	
Brightness	0 – 90 steps	
Sharpness	0 – 15 steps	
Distance	0.1 M/1.0 M/1.5 M/2.5 M/6.0 M	
Slow-shutter	x2 – x60	
Effect	D-Zoom, Nega/Posi, B/W, Mirror, PIP, Freeze	
Preset	INIT/LOAD/SAVE	
DNR	On/Off	
SHOT	Normal/DIS/WDR/Slow-shutter	
Zoom ratio	Optical zoom x22, digital zoom x11 (video AF)	
Focus length	f = 3.9 – 85.8 mm	
Aperture ratio	F1.6 (wide) – F3.7 (tele)	
Power input	2-pin cable	AC power cord
Video output	BNC connector	
Operating temperature	-10 to +50 °C	
Relative humidity	0 – 96% (non-condensing)	
Storage temperature	-20 to +60 °C	
Weight	1500 g	1550 g
Protection type	IP66	

## Details for ordering

Type	Order No.	Designation	Weight
CCAC1415-LPO	2GF1182-8AF	1/4" Hi-Res Colour CCD Camera PAL 480 TVL, Autofocus, 12 V DC / 24 V AC, 9.0 W, 50 Hz	1.50 kg
CCAC1415-MPO	2GF1182-8AH	1/4" Hi-Res Colour CCD Camera PAL 480 TVL, Autofocus, 100 – 240 V AC, 9.0 W, 50 Hz	1.55 kg