



## **Solaris™ Day/Night High-Speed Dome Camera with 26x Optical Zoom**

CCDS1415-DNX

- High-speed dome camera
- High-resolution 1/4-inch Day/Night camera (SONY EX-VIEW CCD)
- High sensitivity up to 0.01 lux in night mode
- 26x optical zoom
- 12x digital zoom
- Tilt/pan speed up to 360°/sec.
- Zoom proportional speed control
- Multi-protocol implementation
- Installation-friendly using External Termination Unit XTU
- XTU with 7 alarm-inputs and tamper alarm

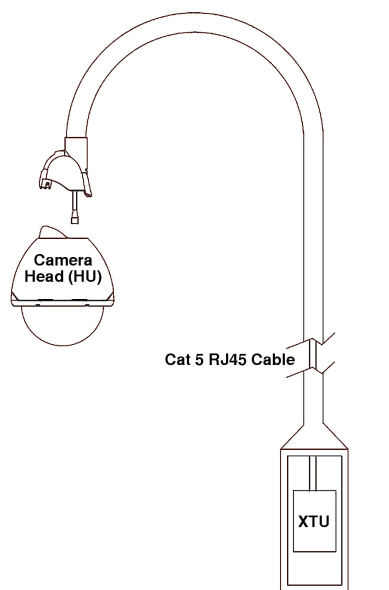
Solaris™ offers accuracy, speed, reliability and high quality images. With its unique split concept External Termination Unit (XTU) and camera Head Unit (HU), Solaris™ has proven to be the solution of choice for installers and end-users around the world. From shops to holiday resorts, hospitals to commercial premises, with perfect picture quality, Solaris™ ensures security is kept at its highest. These new developments in dome technology now bring you more features than ever before.

The new Solaris™ Day/Night high-speed dome CCDS1415-DNX includes a 26x optical zoom Day/Night camera with exceptional low-light performance. A mechanically removable IR-cut filter allows the dome camera to provide good colour picture quality in the day mode and IR sensitive monochrome pictures in the night mode. The integrated 26x optical zoom enables the observation of large sceneries as well as recognition of the smallest details.

The Siemens Solaris™ Dome is very simple to install and commissioning is trouble-free thanks to the XTU. The XTU provides a weather and tamper proof housing for the PSU and all video, data, alarm and power connections to the dome. The Solaris™ HU is factory sealed. This means there is never any need to open it! Once in place, there's no requirement for high-level access. Therefore, there is no need for ladders or expensive access platforms!

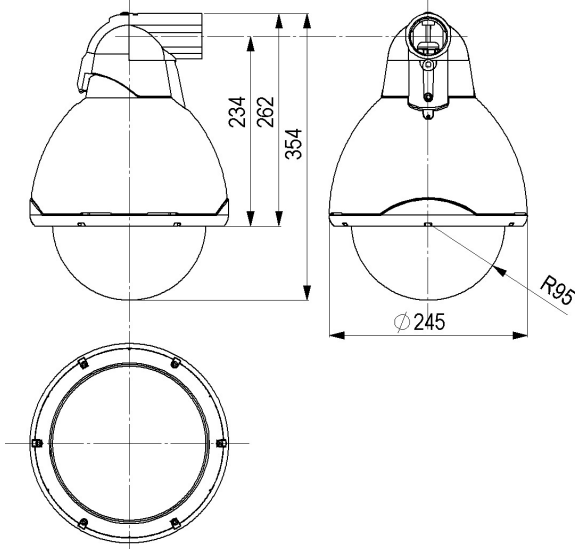
Address, protocol and test settings are all configured via a menu driven LCD display in the XTU. There are no switch / button combinations to look up, work out or remember. Using the XTU you can also control Solaris™ and verify video on the LCD panel. The XTU comes with 10-meter cable as standard, plus it can also be positioned up to 30 meters away from the Dome Head Unit (HU) and up to 500m from the Control Room.

With the XTU, installation is simplified. Checking and fault finding can all be done at ground level.

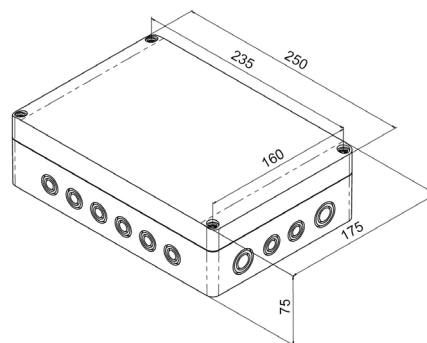


- Ease of installation with all external connections made at ground level via XTU
- Local XTU on-screen verification of video signal
- Set-up via user-friendly XTU LCD panel replacing conventional switches and jumpers
- All Solaris™ features are available when used with third party controllers or DVRs with limited functionality
- A single 'CAT 5' RJ45 cable is used to link to the XTU to the HU.

## Dimensions [mm]



Dome Head Unit (HU)



External Termination Unit (XTU)

## Technical data

### Electrical

Camera types	26x optical Day/Night (PAL): CCDS1415-DNX Also available 18x optical Colour (PAL): CCDS1415-ST 18x optical Day/Night (PAL): CCDS1415-DN
Power XTU	110 – 230 V AC @ 50/60 Hz, 1 A max.
In-rush current XTU	40 A / 20 A peak @ 110/230 V AC
Power Camera Head Unit (HU)	18 – 24 V DC @ 2 A, supplied from the XTU via the Cat-5 cable
Connections	Video: BNC coax Power: Screw terminal block C type (Coax): BNC D type (Twisted Pair): Screw terminal block Alarm & Relay: Screw terminal block
Relay contact rating	1.5 A @ 24 V DC

### Operational

Pan speed	0.2 – 360°/sec
Pan travel	360° continuous
Tilt speed	0.2 – 360°/sec
Tilt travel	+10° and -100°
Presets	Max. 99 (depending on protocol and controller)
Tours	32 positions
Preset accuracy	0.3°
Control hardware	SIMATRIX NEO, SIMATRIX SYS/648/164 via CAC0103, CKA3210, CKA4820, SISTORE AX, CX, MX, SX, Visilynx V3i, Visilynx II, Visilynx 2+, 6000 series, 600 series variable speed,
Protocols*	Siemens CCDA, Bewator Molyx & PCCon, Ernitec, Pelco D, Pelco P, Philips, Photon, VCL, Vicon, Videmech Universal
XTU video output	Nominal (no gain) VBS 1.0 Vpp (sync negative)
Electromagnetic compatibility	Compliant with EMC directive 89/336/EC. Conforms to Part 15 of the FCC Rules, Class A digital device
Alarm input	Opto-coupled (short to alarm com.)

### Mechanical

Ext. construction	Injection moulded polycarbonate (GE Lexan EXL9335)
Mounting	Wall/ceiling, corner, parapet, pole, recessed ceiling tile or pendant mount (pendant mount standard 1.5" BSP (parallel))
Weight	Boxed 5.6 kg, XTU only (no cables) 1.5 kg, OME UNIT only (no cables) 2.5 kg
Colour	Pure white RAL9010
Bubble	Clear
Application	Indoor or outdoor - all models
<b>Environmental</b>	
Protection class	IP 67
Operating temperature	-10 to +40 °C (-20 °C after unit has been powered up for 3 hours)
Storage temperature	-20 to +60 °C
MTBF	50,000 hrs (electric parts)

**Camera module**

Television standard	PAL, 2:1 interlace V: 50 Hz, H: 15,625 Hz
Image sensor	1/4" type IT CCD (EX View HAD)
Effective pixels PAL	430k
Hor. resolution	480 TV lines
Minimum illumination	0.05 lux (colour) 0.01 lux (mono)
S/N ratio	≥50 dB
Electronic shutter	1/10000 s, 22 steps
White balance	Auto/One Push
Gain control	Auto (-3 to 28 dB, 2 dB steps)
Digital zoom	12 x
Lens	26 x zoom 2.5 mm to 91 mm (F1.6 to F3.8)
Angle of view	2.2° (tele) to 54.2° (wide)
Minimum object distance	320 mm (wide end), 1500 mm (tele end)
Focusing system	Manual/automatic

\*) Note: 3<sup>rd</sup> party protocols may be subject to change without notice.

**Details for ordering**

Type	Part No.	Designation	Weight
CCDS1415-DNX	2GF1194-8AD	1/4" high resolution dome, 24 privacy zones, x26 zoom, colour/mono, clear bubble, IP67, supplied with 110 – 230 V AC XTU	6.0 kg
CCDS1415-DH	2GF1194-8BA	Dummy dome, IP67 (no camera or XTU)	2.0kg
CCDS1415-CH	2GF1194-8BB	Dome housing for box camera, IP67 (no camera or XTU)	4.0 kg

**Accessories**

Type	Part No.	Designation	Weight
CCDS1415-PM	2GF1194-8CA	Pendant mount	4.0 kg
CCDS1415-FM	2GF1194-8CB	Recessed ceiling tile mount	2.0 kg
CCDS1415-WM	2GF1194-8CD	Wall /ceiling mount	2.0 kg
CCDS1415-CMA	2GF1194-8CE	Corner mount adapter	5.0 kg
CCDS1415-BM	2GF1194-8CF	Parapet mount adapter	1.0 kg
CCDS1415-RTU	2GF1194-8CG	Remote termination unit	1.3 kg

**Spare parts**

Type	Part No.	Designation	Weight
CCDS1415-XTU	2GF1194-8BC	External Termination Unit (XTU)	2.0 kg
CCDS1415-BC	2GF1194-8BD	Clear bubble	1.0 kg
CCDS1415-BS	2GF1194-8BE	Smoked bubble	1.0 kg