



fixed domes with varifocal lens

CFVB1415-LC
CFVC1415-LP
CFVS1415-LP

- Discreet and compact
- Varifocal auto-iris lens
- Mechanical IR Cut Filter (Day-night model)
- Switchable BLC- (6 predefined fields with remote software)
- Dual Voltage 12VDC/24VAC (line-lock phase adjustment)
- Full X-Y and Z axis adjustment for wall and ceiling mount
- Tinted protective lower bubble
- Easy Setup with local connection port

Attractive high resolution dome cameras for either ceiling or wall mount, complete with tinted protective bubble. Includes service monitor connection and cable for easy local setup. Designed for indoor applications where discreet unobtrusive surveillance is demanded.

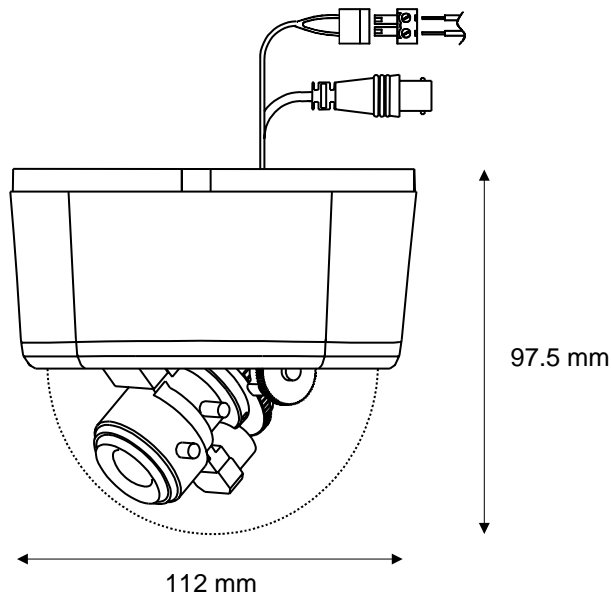
- **Versatile – ease of use**

The CFV series of varifocal dome cameras feature a 1/4" Super HAD CCD coupled with a versatile varifocal auto-iris lens allowing the camera to be used in a wide range of indoor applications including retail, commercial buildings, museums, banks or hotels. Easy to access DIP switches for White Balance, Back light Compensation, Line-Lock phase adjustment, AGC and auto-iris lens adjustment ensures complete flexibility. An accessory for PC remote setup is available on colour and day-night models.

- **24 hour surveillance**

With a mechanical IR cut filter, the day-night model ensures crisp, sharp images both by day in colour and when used with an infrared illuminator, in monochrome at night.

Dimensions



Technical data

	CFVB1415-LC	CFVC1415-LP	CFVS1415-LP
General			
• Fixed Dome Description	High Resolution Monochrome	High Resolution Colour	High Resolution Day-night
• Image sensor	1/4" CCD	1/4" CCD	1/4" CCD
• Horizontal resolution	580 TV lines	480 TV lines	480 TV lines
• Minimum illumination (at 50IRE)	0.2 Lux	0.6 Lux	0.34 Lux – colour 0.15 Lux - mono
• S/N ratio	>50 dB	>50 dB	>50 dB
• Electronic shutter (AES)	Autom. 1/50 to 1/100K s	Autom. 1/50 to 1/100K s	Autom. 1/50 to 1/100K s
• Backlight compensation	ON or OFF	ON or OFF (software allows 6 zones)	ON or OFF (software allows 6 zones)
• Gain control	AGC ON or OFF	AGC ON or OFF	AGC ON or OFF
• White balance		automatic	automatic
• Bubble type	tinted	tinted	tinted
Video output			
• Format	CCIR, 625 lines	PAL, 625 lines	PAL, 625 lines
• Signal (composite)	1Vpp, 75 Ohm, BNC	1Vpp, 75 Ohm, BNC	1Vpp, 75 Ohm, BNC
• Local Service Monitor output	Yes (cable included)	Yes (cable included)	Yes (cable included)
Lens details			
• Focal length	2.8~5.8 mm	2.8~5.8 mm	2.8~5.8 mm
• Focus type	adjustable	adjustable	adjustable
• Maximum relative aperture	F1.4 ~ 360	F1.4 ~ 360	F1.4 ~ 360
• Iris	direct drive auto-iris	direct drive auto-iris	direct drive auto-iris
• Horizontal angle of view	38.2 ~ 76.7°	38.2 ~ 76.7°	35.9 ~ 74.7°
• Minimum object distance	0.2m	0.2m	0.2m
Electrical			
• Supply voltage	12VDC / 24VAC 3.0W	12VDC / 24VAC 3.0W	12VDC / 24VAC 3.5W
• RS232 remote setup (optional)		Yes	Yes
Mechanical			
• Weight	0.29 kg	0.29 kg	0.29 kg
• Dimensions (Ø x H)	112 x 97.5 mm	112 x 97.5 mm	112 x 97.5 mm

Details for ordering

Type	Part no.	Designation	Weight
CFVB1415-LC	2GF1184-8AG	1/4" CCD Varifocal Dome, High Res Mono 12VDC/24VAC, 3.0W	0.29 kg
CFVC1415-LP	2GF1184-8AE	1/4" CCD Varifocal Dome, High Res Colour 12VDC/24VAC, 3.0W	0.29 kg
CFVS1415-LP	2GF1184-8AI	1/4" CCD Varifocal Dome, High Res Day-Night 12VDC/24VAC, 3.0W	0.29 kg

Accessories for ordering

Type	Part no.	Description	Weight
CFFA-TD	2GF1086-8AA	Replacement Tinted bubble for indoor fixed dome series	0.02 kg
CFFA-CD	2GF1086-8AG	Clear bubble for indoor fixed dome series	0.02 kg
CFFA-RS	2GF1086-8AJ	Remote Set-up Software including 0.5m RS232 cable	0.02 kg