

## 1/3" monofocal lenses with high quality glass optics

**CLFM**  
**CLFD**

- Auto-iris lenses supplied with pre-fitted plug
- High reliability galvanometric auto-iris mechanisms
- F360 neutral density spot-filter on auto-iris models make them ideal for indoor & outdoor applications
- Screw-lock focal length & focus adjustment
- Quality metal body & mounting thread

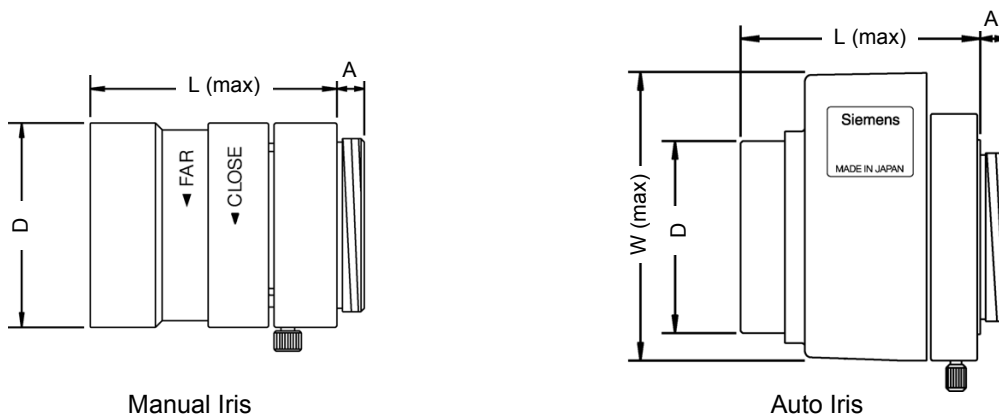
Professional, metal bodied lenses specifically designed for use in security surveillance applications. All lenses are fitted as standard with focus adjustment screw-locks to ensure images remain sharply focused.

- **CLFM series - manual iris lenses**  
Cost effective lens solutions for use in situations with stable illumination levels. Also ideal for use with modern CCD cameras featuring automatic electronic shuttering (AES).
- **CLFD series - auto-iris lenses**  
CS-mount direct drive (DC-type) auto-iris lenses suitable for use with modern cameras featuring internal auto-iris drive circuits. Particularly suitable for use with cameras surveying outdoor scenes or in situations where widely varying illumination levels are likely to occur.

Auto-iris lenses are equipped with F360 neutral density spot-filters making them suitable for both indoor and outdoor applications.

All auto-iris lenses are supplied with the iris plug pre-fitted for easy installation.

## Dimensions



## Technical data

	CLFM 1314/ 2.8	CLFD 1314/ 2.8	CLFM 1312/ 4	CLFD 1312/ 4	CLFM 1312/ 6	CLFD 1312/ 6	CLFM 1312/ 8	CLFD 1312/ 8	CLFM 1212/ 12	CLFD 1214/ 12	CLFM 1316/ 16	CLFD 1316/ 16
Focal length	2.8mm	2.8mm	4.0mm	4.0mm	6.0mm	6.0mm	8.0mm	8.0mm	12.0mm	12.0mm	16.0mm	16.0mm
Focus type	adjust.	adjust.	adjust.	adjust.	adjust.	adjust.	adjust.	adjust.	adjust.	adjust.	adjust.	adjust.
Maximum relative aperture	F1.4	F1.4	F1.2	F1.2	F1.2	F1.2	F1.2	F1.2	F1.2	F1.4	F1.6	F1.6
Iris	manual	DD-AI*	manual	DD-AI*	manual	DD-AI*	manual	DD-AI*	manual	DD-AI*	manual	DD-AI*
Mount	CS	CS	CS	CS	CS	CS	CS	CS	C	CS	CS	CS
CCD size (rec.)	1/3"	1/3"	1/3"	1/3"	1/3"	1/3"	1/3"	1/3"	1/2"	1/2"	1/3"	1/3"
Horizontal angle of view	95.6°	95.6°	65.1°	65.1°	48.1°	48.1°	36.5°	36.5°	29.7°	29.6°	17.6°	17.6°
Minimum object distance	0.2m	0.2m	0.1m	0.25m	0.3m	0.3m	0.3m	0.3m	0.3m	0.3m	0.7m	0.7m
Dimensions												
• D (mm)	30.0	29.0	30.0	29.0	28.0	32.0	28.0	32.0	35.0	37.0	28.0	32.0
• W (max.) (mm)	—	43.9	—	43.9	—	43.9	—	43.9	—	52.0	—	43.9
• L (max.) (mm)	36.2	36.2	33.8	32.3	26.8	29.5	26.8	29.5	34.5	32.0	26.8	29.5
• A (mm)	4.0	4.0	4.0	4.0	4.0	4.0	4.0	4.0	5.6	4.0	4.0	4.0
Filter thread	—	—	—	—	—	—	—	—	M34.0x0.5	M30.5x0.5	—	—
Drive coil impedance (±%10)	—	200 Ohm	—	200 Ohm	—	190 Ohm	—	190 Ohm	—	190 Ohm	—	190 Ohm
Damp coil impedance (±%10)	—	700 Ohm	—	700 Ohm	—	700 Ohm	—	700 Ohm	—	1000 Ohm	—	700 Ohm
Operating temperature range	-10~50°C	-10~50°C	-10~50°C	-10~50°C	-10~50°C	-10~50°C	-10~50°C	-10~50°C	-10~50°C	-10~50°C	-10~50°C	-10~50°C

\*direct-drive auto-iris

## Details for ordering

Type	Part no.	Designation	Weight
CLFM1314/2.8	2GF1661-8AL	Lens Fixed Focus M-Iris 2.8 F1.4	54.5 g
CLFD1314/2.8	2GF1663-8AN	Lens Fixed Focus DD-AI 2.8 F1.4	63.3 g
CLFM1312/4	2GF1661-8AM	Lens Fixed Focus M-Iris 4.0 F1.2	50.4 g
CLFD1312/4	2GF1663-8AP	Lens Fixed Focus DD-AI 4.0 F1.2	64.4 g
CLFM1312/6	2GF1661-8AN	Lens Fixed Focus M-Iris 6.0 F1.2	41.7g
CLFD1312/6	2GF1663-8AQ	Lens Fixed Focus DD-AI 6.0 F1.2	49.8 g
CLFM1312/8	2GF1661-8AP	Lens Fixed Focus M-Iris 8.0 F1.2	41.1 g
CLFD1312/8	2GF1663-8AR	Lens Fixed Focus DD-AI 8.0 F1.2	49.5 g
CLFM1212/12	2GF1640-8AH	Lens Fixed Focus M-Iris 12.0 F1.2 C-mount	74.5 g
CLFD1214/12	2GF1642-8AT	Lens Fixed Focus DD-AI 12.0 F1.4	82.5 g
CLFM1316/16	2GF1661-8AQ	Lens Fixed Focus M-Iris 16.0 F1.6	39.5 g
CLFD1316/16	2GF1663-8AS	Lens Fixed Focus DD-AI 16.0 F1.6	47.5 g

© Siemens Building Technologies Ltd