

## Camera Housings, Brackets & Accessories

VCH200  
ECH-S  
ECH-M  
ECH-B  
CHH  
CHM

- Siemens camera housings
- Suitable for indoor and outdoor use
- Wall brackets
- Ceiling brackets
- Mounting blocks
- Pole mounts
- Pedestal mount
- Camera power supplies
- Mains distributor
- Two-wire transmitter
- Replacement heaters

The Siemens range of camera housings come with a full range of accessories, brackets and spare parts tailored to the customer's need. All of these items adhere to high quality and reliability standards to support a safe and easy installation.

## Housing

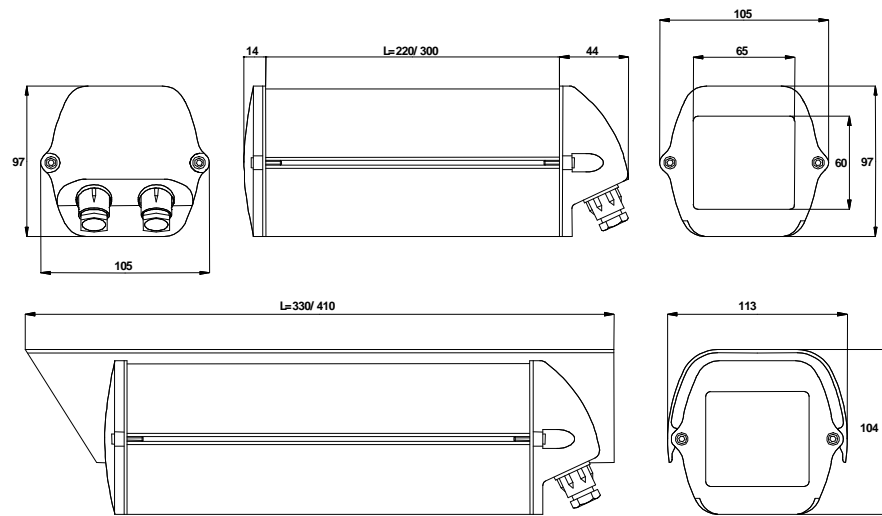
### Type

### Drawing and Designation



#### ECH-S

Camera housing  
220 mm, IP66,  
230 V heater



A general purpose aluminium camera housing complete with sunshield and glass face-plate. Ideal for cameras fitted with either fixed or varifocal length lenses. Suitable for static or pan-tilt mounting. The outer body of the housing is easily removed allowing in-situ adjustment of camera, lens and cabling. Supplied, as standard, with a positive temperature coefficient heater element and thermostat. Various brackets are available to suit mounting requirements. Does not include power supply.

Heater rating	110 ~ 230 V AC, 40 W
Heater turn-on	$< 15 \pm 3 \text{ }^\circ\text{C}$
Heater turn-off	$> 22 \pm 3 \text{ }^\circ\text{C}$
Cable entry	2 x PG9
Material	Extruded and die-cast aluminium
Finish	Epoxy powder-coat
Colour	Off-white (RAL 9002)
Protection rating	IP66
External dimensions of housing (W x H x D)	105 x 97 x 278 mm
Internal dimensions of housing (W x H x D)	70 x 65 x 220 mm
Sunshield dimensions (W x H x D)	113 x 71 x 330 mm

**Type****Drawing and Designation****ECH-M**

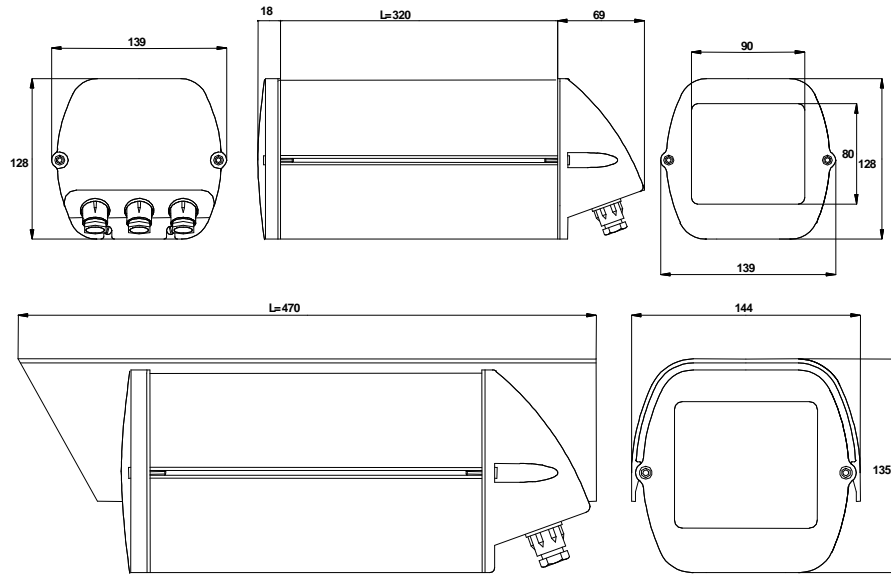
Camera housing  
300 mm, IP66,  
230 V heater

As ECH-S for technical details but with the following differences:

External dimensions of housing (W x H x D)	105 x 97 x 358 mm
Internal dimensions of housing (W x H x D)	70 x 65 x 300 mm
Sunshield dimensions (W x H x D)	113 x 71 x 410 mm

**ECH-B**

Camera housing  
320 mm, IP66,  
230 V heater



A general purpose aluminium camera housing complete with sunshield and glass face-plate. Ideal for cameras fitted with either fixed or varifocal length lenses. Suitable for static or pan-tilt mounting. The outer body of the housing is easily removed allowing in-situ adjustment of camera, lens and cabling. Supplied, as standard, with a positive temperature coefficient heater element and thermostat. Various brackets are available to suit mounting requirements. Does not include power supply.

Heater rating	110 ~ 230 V AC, 40 W
Heater turn-on	= $14 \pm 3$ °C
Heater turn-off	= $20 \pm 3$ °C
Cable entry	1 x PG11, 2 x PG9
Material	Extruded and die-cast aluminium
Finish	Epoxy powder-coat
Colour	Off-white (RAL 9002)
Protection rating	IP66
External dimensions of housing (W x H x D)	139 x 128 x 407 mm
Internal dimensions of housing (W x H x D)	90 x 80 x 320 mm
Sunshield dimensions (W x H x D)	144 x 90 x 470 mm

**Type**

**Drawing and Designation**



**VCH200-230H**

Camera housing  
300 mm, IP66,  
230 V heater

Heater rating	110 ~ 230 V AC, 40 W
Heater turn-on	< 15 ± 3 °C
Heater turn-off	> 22 ± 3 °C
Cable entry	2 x PG9
Material	Extruded and die-cast aluminium
Finish	Epoxy powder-coat
Colour	Off-white (RAL 9002)
Protection rating	IP66
Cable entry	1 x PG11, 1 x PG9
External dimensions of housing (W x H x D)	125 x 107.5 x 374 mm
Internal dimensions of housing (W x H x D)	70 x 65 x 300 mm
Sunshield dimensions (W x H x D)	113 x 71 x 410 mm

Drawing: see VCH200

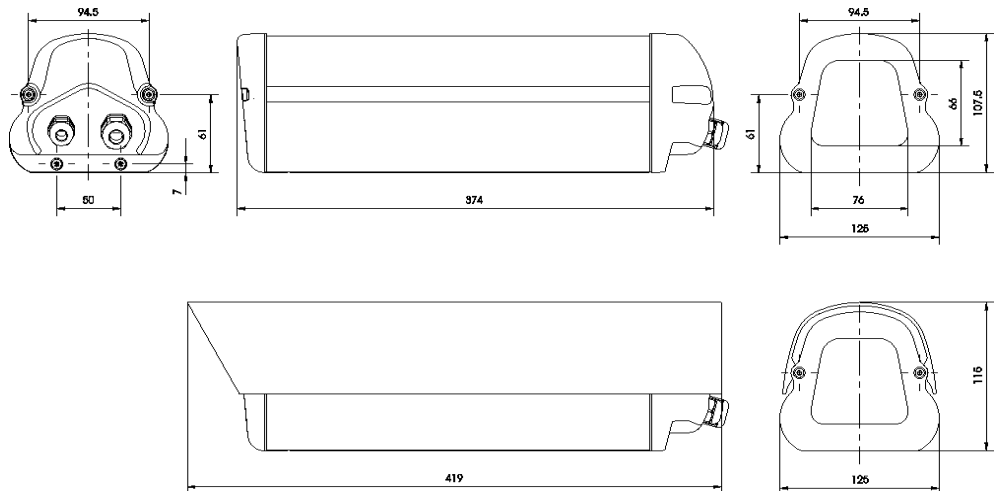
Attractive extruded aluminium housings designed to enclose and protect modern CCD cameras fitted with either fixed or variable focal-length lenses. The outer body of the housing is easily removed by releasing just two allen-key screws to provide easy in-situ adjustment of camera, lens and all cabling. The removed housing body can be safely hung from a hook especially provided for this purpose. Two cable glands provide separate access for video and power. The closed design of the extruded housing-body is completed with cast-aluminium end-caps fitted with neoprene gaskets to ensure a weather-proof rating of IP66. Positive temperature coefficient (PTC) heaters fitted on VCH200-230H to improve overall system reliability by automatically adjusting heat output to match the ambient conditions. A selection of insulating spacers is provided to ensure the camera is isolated from the housing, minimising the risk of electrical interference. To ensure clear visibility, a pouch of moisture absorbing desiccant is provided to remove any trapped water-vapour from the sealed housing.



**VCH200**

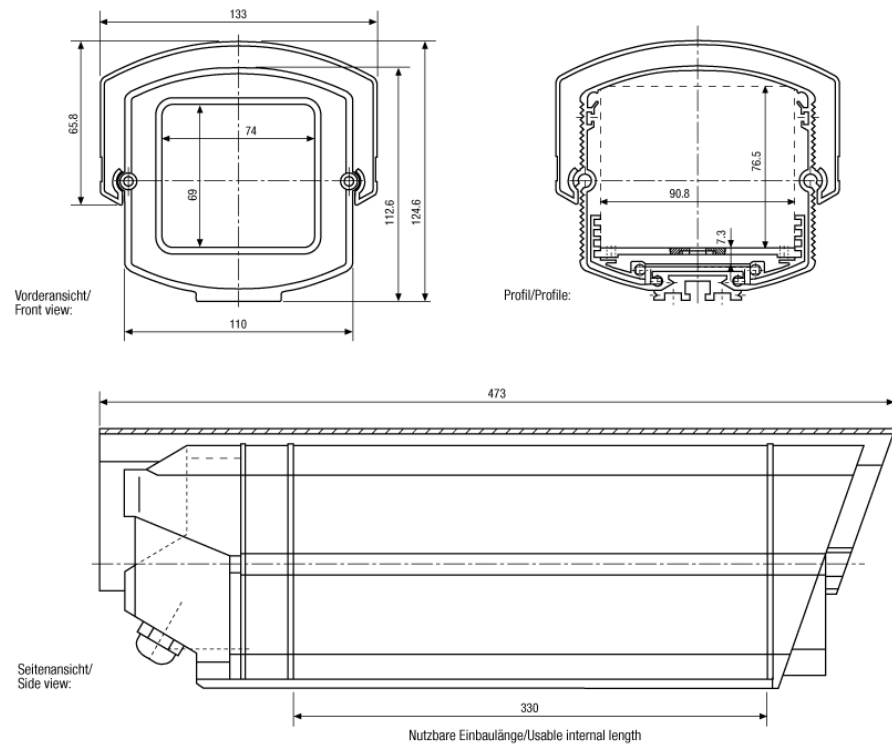
Camera housing  
300 mm, IP66,

As VCH200-230H for technical details but without heater.





**CHM**  
Camera housing  
320 mm, IP66,  
230 V heater



A general purpose aluminium camera housing complete with sunshield and glass face-plate. Ideal for cameras fitted with either fixed or varifocal length lenses. Suitable for static or pan-tilt mounting. The outer body of the housing is easily removed allowing in-situ adjustment of camera, lens and cabling. Supplied, as standard, with a positive temperature coefficient heater element and thermostat. Various brackets are available to suit mounting requirements. Does not include power supply


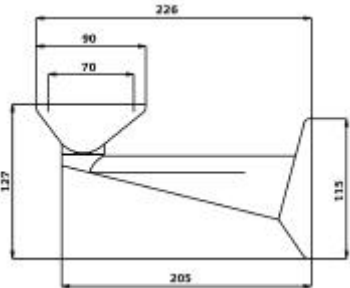
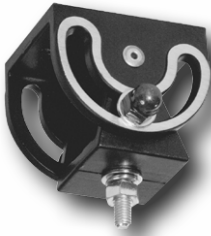
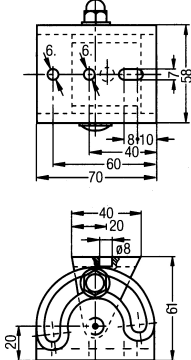

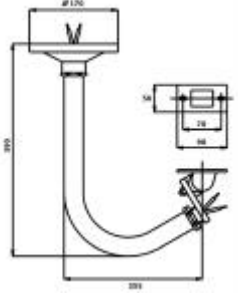
Heater rating	110 to 265 V AC, 7 W
Heater turn-on	16 °C
Heater turn-off	20 °C
Cable entry	2 x PG9, 1 x PG16
Material	Centre section: extruded and die-cast aluminium Front and rear sections: robust plastic
Colour	Off-white (RAL 9002)
Protection rating	IP66
Usable volume (W x H x D)	90 x 76 x 320 mm
Dimensions (W x H x D)	473 x 133 x 125 mm

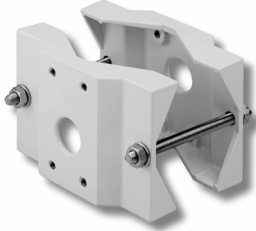
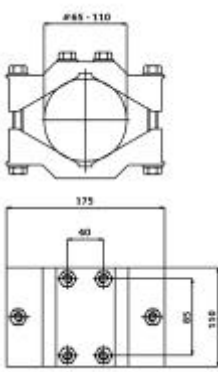

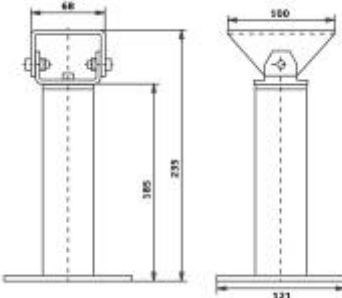
As CHM, or technical details but with distribution board and internal multipoint connector.

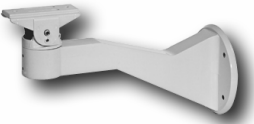
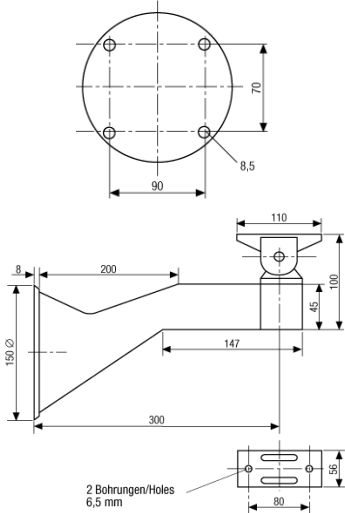
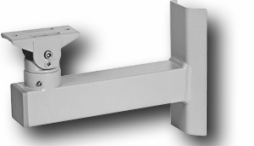
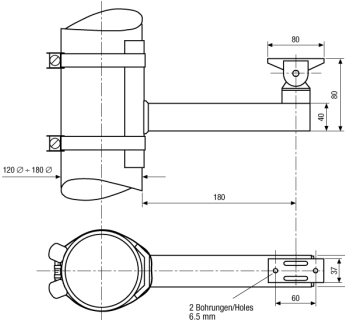


**CHH**  
Camera housing  
320 mm, IP66, quick  
connector, 230 V heater

**Mounts**



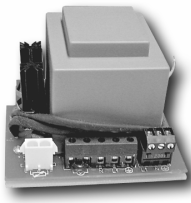
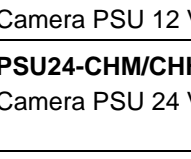
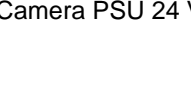
Type	Drawing	Designation	Compatible housings
 <p><b>WMB-S-M-B</b> Wall bracket</p>		<p>Wall mount with integral swivel-tilt joint. The camera housing position is secured with a single Allen-screw. Four fixing holes enable stable mounting on flat surfaces. Provided complete with stainless steel fixings to attach the housing to the mount.</p> <p>Dimensions (W x H x D) 75.4 x 127 x 226 mm Arm length 226 mm Load rating 25 kg Finish Epoxy powder-coat Material Cast aluminium Colour Off-white (RAL 9002)</p>	<p>ECH-S ECH-M ECH-B VCH200</p>
 <p><b>HMB-PH</b> Mounting block,</p>		<p>For installation of a camera housing on a horizontal or inclined surface, on a wall bracket or pole bracket.</p> <p>Dimensions (W x H x D) 58 x 61 x 70 mm Load rating 30 kg Material Cast aluminium Colour Matt black</p>	<p>ECH-S ECH-M ECH-B VCH200</p>
 <p><b>VCH910</b> Ceiling mount</p>		<p>Ceiling mount with internal cable channel and integral housing swivel-tilt joint. The camera housing position is secured with a single fixing. Three fixing holes on the base-plate enable stable mounting on flat surfaces. Provided complete with stainless steel fixings to attach the housing to the mount.</p> <p>Dimensions (W x H x D) 170 x 390 x 255 mm Load rating 25 kg Finish Epoxy powder-coat Material Cast aluminium Colour Off-white (RAL 9002)</p>	<p>ECH-S ECH-M ECH-B VCH200</p>

Type	Drawing	Designation	Compatible housings
 <p data-bbox="164 439 347 517"><b>VCH990</b> Pole adapter for WMB-S-M-B</p>		<p data-bbox="847 199 1305 398">Adapter to enable the WMB-S-M-B housing wall mount to be fitted to round poles and posts. Provided complete with stainless steel fixings to attach the adapter to the pole and the mount to the adapter.</p> <p data-bbox="847 409 1201 436">Pole diameter 65 to 110 mm</p> <p data-bbox="847 445 1206 506">Dimensions (W x H) 110 x 175 mm</p> <p data-bbox="847 515 1107 542">Load rating 50 kg</p> <p data-bbox="847 551 1262 577">Finish Epoxy powder-coat</p> <p data-bbox="847 586 1219 613">Material Cast aluminium</p> <p data-bbox="847 622 1283 649">Colour Off-white (RAL 9002)</p>	<p data-bbox="1342 199 1426 226">ECH-S</p> <p data-bbox="1342 235 1431 262">ECH-M</p> <p data-bbox="1342 271 1426 297">ECH-B</p> <p data-bbox="1342 306 1442 333">VCH200</p>
 <p data-bbox="164 954 344 1003"><b>VCH992</b> Pedestal mount</p>		<p data-bbox="847 669 1305 730">Pedestal for mounting camera housing on the top of poles or building parapets. The integrated joint enables the top-mounted housing to be rotated and tilted.</p> <p data-bbox="847 739 1305 799">Four fixing holes on the base enable stable mounting on flat surfaces. Provided complete with stainless steel fixings to attach the housing to the mount.</p> <p data-bbox="847 808 1275 869">Dimensions (W x H x D) 121 x 185 x 121 mm</p> <p data-bbox="847 878 1107 904">Load rating 25 kg</p> <p data-bbox="847 913 1262 940">Finish Epoxy powder-coat</p> <p data-bbox="847 949 1219 976">Material Cast aluminium</p> <p data-bbox="847 985 1283 1012">Colour Off-white (RAL 9002)</p>	<p data-bbox="1342 669 1426 696">ECH-S</p> <p data-bbox="1342 705 1431 732">ECH-M</p> <p data-bbox="1342 741 1426 768">ECH-B</p> <p data-bbox="1342 777 1442 804">VCH200</p>

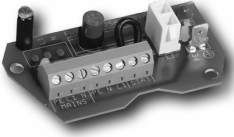


Type	Drawing	Designation	Compatible housings
 <p data-bbox="124 394 284 450"><b>WMB-HM-HH</b> Wall bracket</p>	 <p data-bbox="512 696 608 730">2 Bohrungen/Holes 6,5 mm</p>	<p data-bbox="810 215 1246 277">Wall mount for mounting a CHM/CHH camera housing on a vertical surface.</p> <p data-bbox="810 282 1246 450"> <b>Dimensions (W x H x D)</b> 150 x 205 x 355 mm  <b>Load rating</b> 30 kg  <b>Material</b> Cast aluminium  <b>Colour</b> Off-white (RAL 9002) </p>	<p data-bbox="1305 215 1433 277">CHM CHH</p>
 <p data-bbox="124 936 284 987"><b>POL-HM-HH</b> Pole mount</p>	 <p data-bbox="616 1055 711 1077">2 Bohrungen/Holes 6,5 mm</p>	<p data-bbox="810 752 1246 853">Pole mount for mounting a CHM/CHH camera housing. Supplied with fixing straps to pole.</p> <p data-bbox="810 857 1246 1025"> <b>Dimensions (W x H x D)</b> 73 x 150 x 220 mm  <b>Load rating</b> 30 kg  <b>Material</b> Cast aluminium  <b>Colour</b> Grey (RAL 7032) </p>	<p data-bbox="1305 752 1433 815">CHM CHH</p>



## Power supplies

Type	Designation	Compatible housings
	Step-down power supply designed to be mounted within ECH-B camera housing to provide 12 V DC power to the camera.	ECH-B
	Input rating                    230 V AC Output rating                    12 V DC, 400 mA Dimensions (W x H x D)    81 x 48 x 65 mm	
<b>PSU12-ECH/B</b> Camera PSU 12 V DC		
	Step-down power supply designed to be mounted within ECH-S/M camera housing to provide 12 V DC power to the camera.	VCH200 ECH-S ECH-M
	Input rating                    230 V AC Output rating                    24 V AC, 400 mA Dimensions (W x H x D)    81 x 48 x 65 mm	
<b>PSU24-ECH/B</b> Camera PSU 24 V AC		
	Step-down power supply designed to be mounted within CHM/CHH camera housing to provide 12 V DC power to the camera.	CHM CHH
	Input rating                    230 V AC Output rating                    12 V DC, 400 mA Dimensions (W x H x D)    72 x 40 x 82 mm	
<b>PSU12-ECH/S/M</b> Camera PSU 12 V DC		
	Step-down power supply designed to be mounted within CHM/CHH camera housing to provide 12 V DC power to the camera.	CHM CHH
	Input rating                    230 V AC Output rating                    24 V AC, 600 mA Heating conn.                    230 V AC, 100 mA Dimensions (W x H x D)    96 x 97.5 x 49 mm	
<b>PSU24-CHM/CHH</b> Camera PSU 24 V AC		
	Step-down power supply designed to be mounted within CHM/CHH camera housing to provide 12 V DC power to the camera.	CHM CHH
	Input rating                    230 V AC Output rating                    12 V DC, 600 mA or 24 V AC, 1000 mA Dimensions (W x H x D)    96 x 97.5 x 49 mm	
<b>PSU12/24-CHM/CHH</b> Camera PSU 24 V AC		

## Various accessories

Type	Designation	Compatible housings
 <p><b>MD-CHM</b> Mains distributor</p>	<p>For CHM camera housing, with fuse. This optional unit makes maintenance of the housing much easier and lets installers quickly remove and replace the housing. Included as standard in CHH camera housing.</p>	CHM
<p><b>2WT-PH/CH/ECH</b> Two-wire transmitter module</p>	<p>Two-wire transmitter module for installation in the CHM/CHH and ECH-M/ECH-B camera housing.</p>	ECH-M ECH-B CHM CHH
<p><b>MT2WT-ECH</b> Mounting set</p>	<p>Mounting set for fitting the two-wire transmitter (2WT-PH/CH/ECH) in a camera housing.</p>	ECH-M ECH-B CHM CHH
 <p><b>VCH993-230</b> Replacement heater</p>	<p>Replacement heater kit. Positive temperature coefficient heater element with thermostat. Heater rating 110 to 230 V AC, 40 W Turn-on = 14 ± 3 °C Turn-off = 20 ± 3 °C</p>	VCH200 ECH-S ECH-M
<p><b>VCH993-24</b> Replacement heater</p>	<p>Replacement heater kit. Positive temperature coefficient heater element with thermostat. Heater rating 12 V DC/24 V AC, 20 W Turn-on = 14 ± 3 °C Turn-off = 20 ± 3 °C</p>	VCH200 ECH-S ECH-M
 <p><b>VCH994-230</b> Replacement heater</p>	<p>Replacement heater kit. Positive temperature coefficient heater element with thermostat. Heater rating 110 to 230 V AC, 40 W Turn-on = 14 ± 3 °C Turn-off = 20 ± 3 °C</p>	ECH-B
<p><b>VCH994-24</b> Replacement heater</p>	<p>Replacement heater kit. Positive temperature coefficient heater element with thermostat. Heater rating 12 V DC/24 V AC, 20 W Turn-on = 14 ± 3 °C Turn-off = 20 ± 3 °C</p>	ECH-B

## Details for ordering

Type	Part no.	Designation	Weight
ECH-S	2GF1705-8HA	Camera housing 220 mm, IP66, 230 V heater	1.50 kg
ECH-M	2GF1705-8JA	Camera housing 300 mm, IP66, 230 V heater	1.90 kg
ECH-B	2GF1705-8KA	Camera housing 320 mm, IP66, 230 V heater	3.20 kg
VCH200-230H	GBQ:A540816	Camera housing 300 mm, IP66, 230 V heater	1.90 kg
VCH200	2GF1705-8MA	Camera housing 300 mm, IP66	1.80 kg
CHM	2GF1705-8EA	Camera housing 320 mm, IP66, 230 V heater	2.80 kg
CHH	2GF1705-8FA	Camera housing 320 mm, IP66, 230 V heater, quick connector	2.90 kg
WMB-S-M-B	2GF1705-8LB	Wall bracket for VCH200/ECH-S/ECH-B/ECH-M	0.50 kg
HMB-PH	2GF1710-8AW	Mounting block for VCH200/ECH-S/ECH-B/ECH-M	0.25 kg
VCH910	GBQ:A538336	Ceiling mount for VCH200/ECH-S/ECH-B/ECH-M	1.78 kg
VCH990	GBQ:A538352	Pole adapter for VCH200/ECH-S/ECH-B/ECH-M	1.28 kg
VCH992	GBQ:A538349	Pedestal mount for VCH200/ECH-S/ECH-B/ECH-M	0.63 kg
WMB-HM-HH	2GF1705-8GB	Wall bracket for CHM/CHH	1.50 kg
POL-HM-HH	2GF1705-8GC	Pole bracket for CHM/CHH	1.10 kg
PSU12-ECH/B	2GF1705-8KB	Camera PSU 12V DC for ECH-B	0.50 kg
PSU24-ECH/B	2GF1705-8KC	Camera PSU 24 V AC for ECH-B	0.20 kg
PSU12-ECH/S/M	2GF1705-8LA	Camera PSU 12 V DC for VCH200/ECH-S/ECH-M	0.80 kg
PSU24-ECH/S/M	2GF1705-8LD	Camera PSU 24 V AC for VCH200/ECH-S/ECH-M	0.20 kg
PSU12-CHM/CHH	2GF1705-8GA	Camera PSU 12 V DC for CHM/CHH	0.30 kg
PSU24-CHM/CHH	2GF1705-8GE	Camera PSU 24 V AC for CHM/CHH	0.20 kg
PSU12/24-CHM/CHH	2GF1705-8GF	Power supply unit, 12 V DC/24 V AC for CHM/CHH	0.30 kg
MD-CHM	2GF1705-8EB	Mains distributor for CHM	0.04 kg
2WT-PH/CH/ECH	2GF1714-8WN	Two-wire transmitter for VCH200/ECH-S/ECH-M	0.20 kg
MT2WT-ECH	2GF1705-8LC	Two-wire mounting set for VCH200/ECH-S/ECH-M	0.03 kg
VCH993-230	GBQ:A557236	230V Heater kit for VCH200/ECH-S/ECH-M	0.10 kg
VCH993-24	GBQ:A557249	24V Heater kit for VCH200/ECH-S/ECH-M	0.10 kg
VCH994-230	GBQ:A557252	230V Heater kit for ECH-B	0.10 kg
VCH994-24	GBQ:A557265	24V Heater kit for ECH-B	0.10 kg