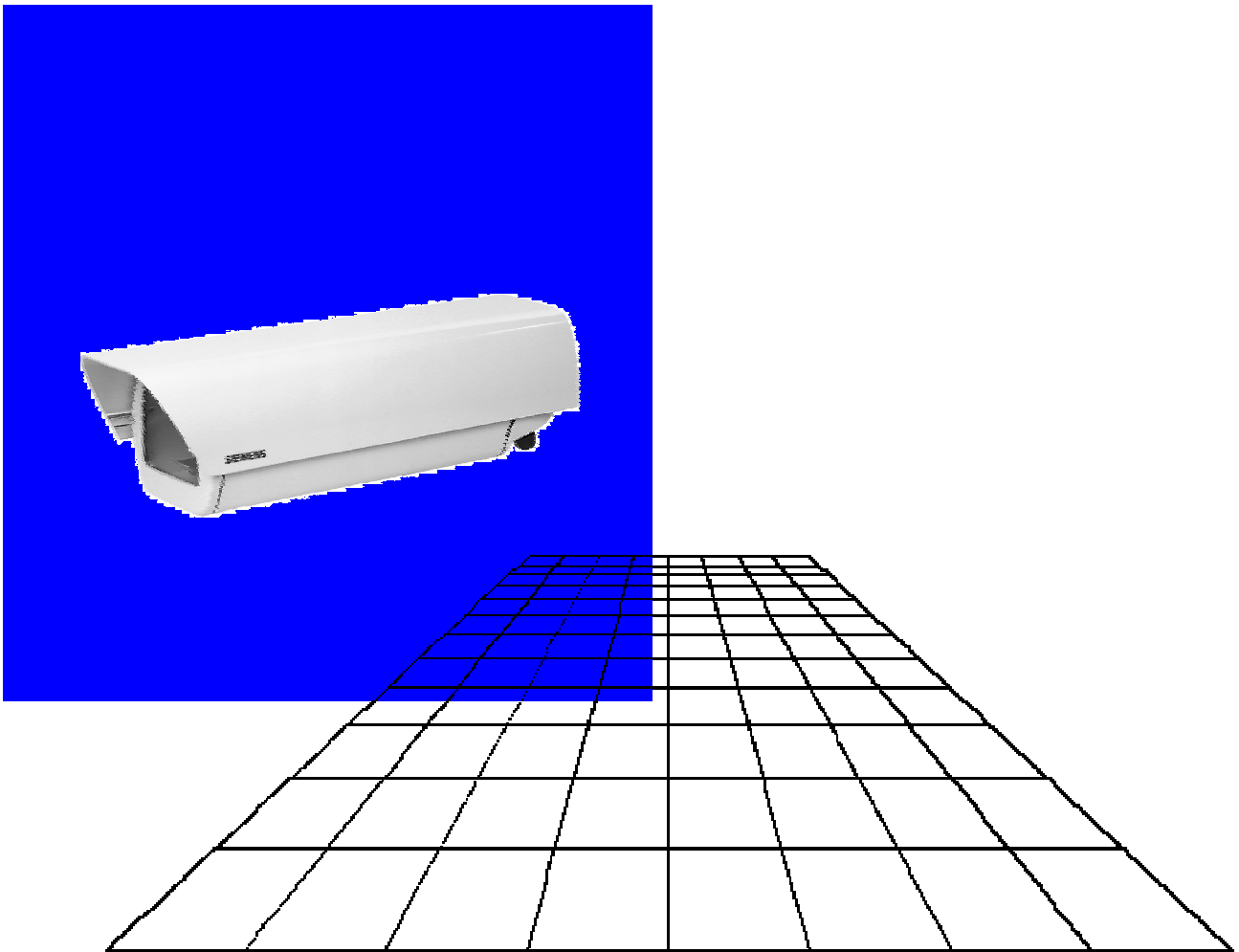


**SIEMENS**

## Protective Camera Housings Series ECH-x Economy Line



# Protective Camera Housings Series ECH-x Economy Line

- Suitable for indoor and outdoor mounting
- Robust aluminum housing with attractive design
- Stove enamel surface in RAL 9002
- Captive stainless steel screws
- Thermally treated gaskets
- PG 9 cable glands
- Housing design in IP 66
- Electrical isolation between camera and rest of housing
- "Intelligent" heater with variable power output (max. 40 Watt)
- Removable carriage for simple maintenance of camera in operating position
- Integrated gutter at front of sunshield
- Snap-on sunshield

## Description

Protective camera housings protect TV cameras in indoor applications from dust and moisture, and primarily from the influences of the weather in outdoor applications. In addition, they provide good protection for the cameras from intentional damage and sabotage.

3 different housing sizes are available to satisfy the different demands with respect to the fitted cameras.

All versions have a sunshield with integrated gutter at the front.

This feature is important for fault-free operation with video motion detection systems.

The cable inlet is via two or three PG9 cable glands.

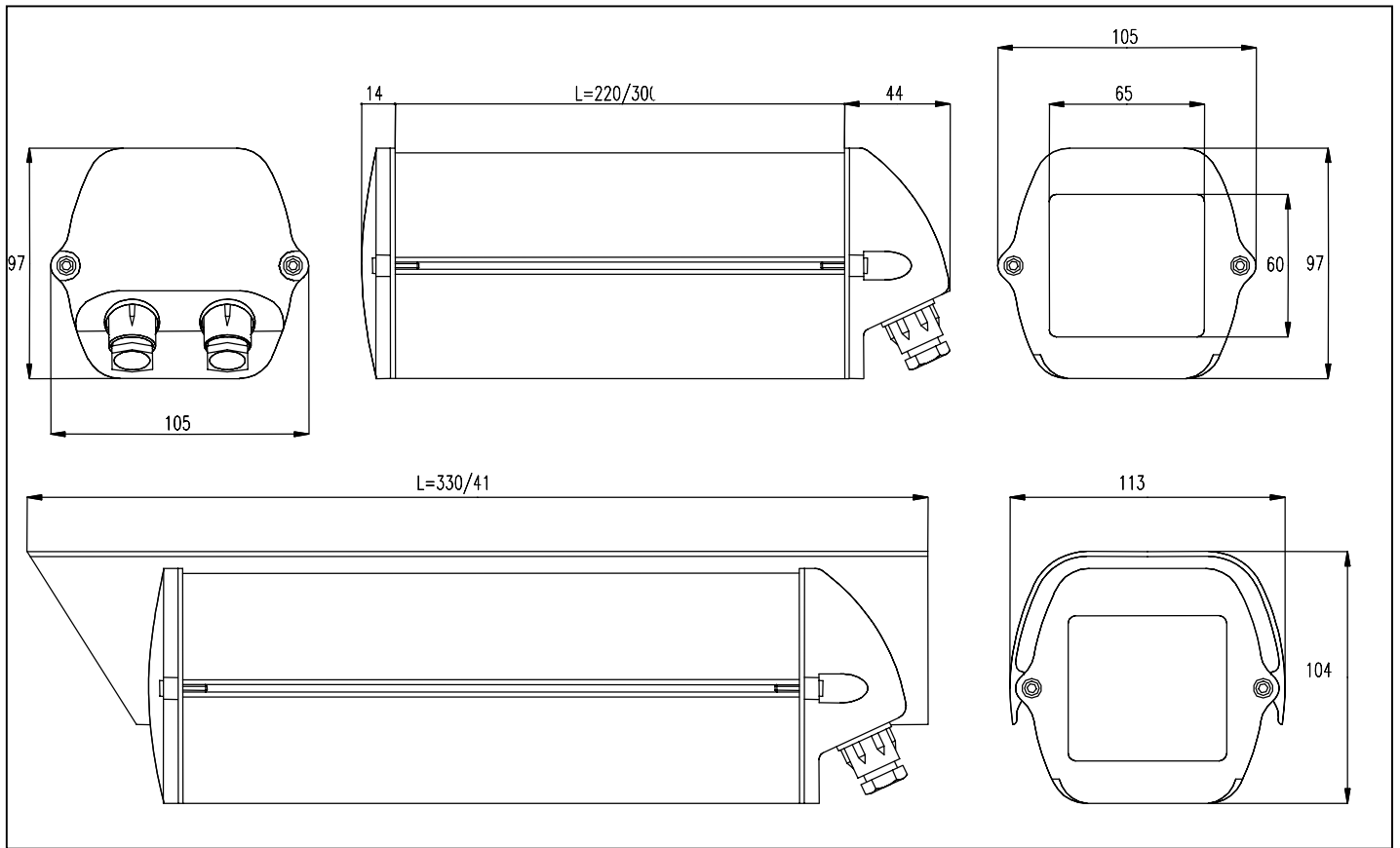
A 12 V DC power supply unit can be integrated in the protective camera housing as an option.

The protective camera housings of the economy line have a very favourable price/performance ratio.

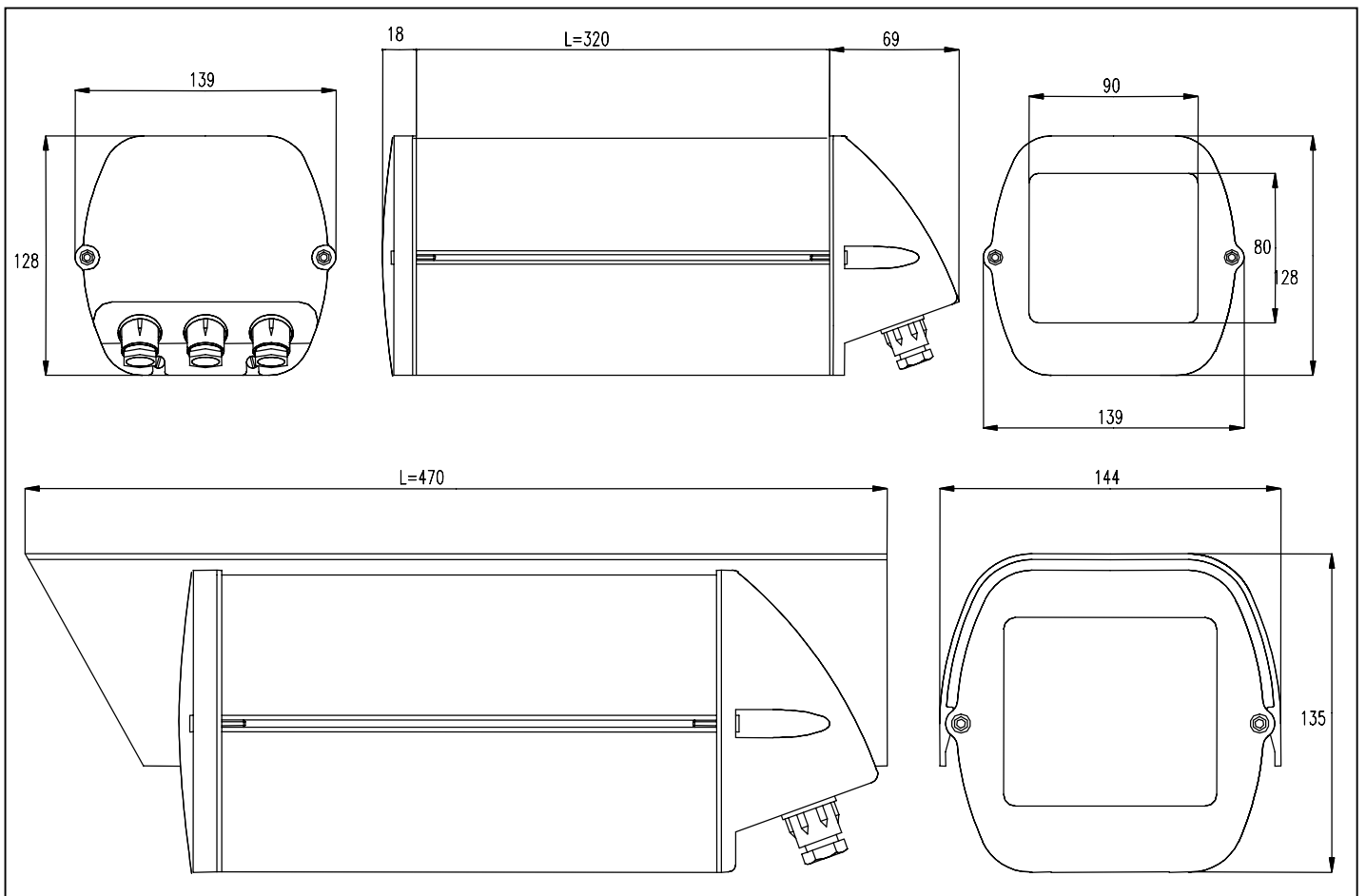
- |        |   |
|--------|---|
| ECH-S: | <b>Small protective camera housing</b> for small camera/lens arrangements, with integral power supply unit 230 V AC / 12 V DC   |
| ECH-M  | <b>Medium protective camera housing</b> for standard camera/lens arrangements with two-wire transmitter and integral power supply unit 230 V AC / 12 V DC                   |
| ECH-B  | <b>Large protective camera housing</b> for larger camera/zoom lens arrangements with two-wire or fiber-optic transmitter with integral power supply unit 230 V AC / 12 V DC |

## Technical data

Type	ECH-S	ECH-M	ECH-B
Description	Weatherproof housing including snap-on sunshield		
Housing material	Extruded and diecast aluminium		
Paint	Stove enamel epoxy polyester in RAL 9002		
Sealing	IP 66		
Heater power supply - Cut-in temperature - Cut-out temperature	230 V AC, max. 40 Watt 14 °C +/- 3 °C 20 °C +/- 3 °C		
Cable inlet	2 * PG 9	2 * PG 9	3 * PG 9
External dimensions of housing (W x H x L) in mm	105 x 97 x 278	105 x 97 x 358	139 x 128 x 407
Internal dimensions of housing (W x H x L) in mm	65 x 60 x 220	65 x 60 x 300	90 x 80 x 320
Housing weight in kg	1.2	1.4	2.2
Sunshield dimensions (W x H x L) in mm	113 x 71 x 330	113 x 71 x 410	144 x 90 x 470
Sunshield weight in kg	0.3	0.5	1.0
Option: Power supply unit 220 V AC / 12 V DC	400 mA		



*Dimensional drawing of the protective camera housings ECH-S / ECH-M (dimensions in mm)*



*Dimensional drawing of the protective camera housing ECH-B (dimensions in mm)*

## Ordering data

Designation	Order No.	Approx. weight in kg
<b>Protective camera housing ECH-S</b> Weatherproof housing with internal dimension 220 mm, painted in RAL 9002, incl. sunshield with 2 PG9 screwed glands for cables, window heater 110 to 265 V AC and thermostatic switch.	<b>2GF1705-8HA</b>	1.5
<b>Protective camera housing ECH-M</b> Weatherproof housing with internal dimension 300 mm, painted in RAL 9002, incl. sunshield with 2 PG9 screwed glands for cables, window heater 110 to 265 V AC and thermostatic switch.	<b>2GF1705-8JA</b>	1.9
<b>Protective camera housing ECH-B</b> Weatherproof housing with internal dimension 320 mm, painted in RAL 9002, incl. sunshield with 3 PG9 screwed glands for cables, window heater 110 to 265 V AC and thermostatic switch.	<b>2GF1705-8KA</b>	3.2
<b>Accessories, not included in delivery</b>		
<b>Wall bracket with ball joint</b> for ECH-x protective camera housing carrying capacity max. 15 kg	<b>2GF1705-8LB</b>	0.5
<b>Integral power supply unit</b> for ECH-S / ECH-M protective camera housing 230 V AC / 12 V DC, 400 mA stabilized	<b>2GF1705-8LA</b>	0.4
<b>Integral power supply unit</b> for ECH-B protective camera housing 230 V AC / 12 V DC, 400 mA stabilized	<b>2GF1705-8KB</b>	0.4

Issued by  
SGT Identifikationssysteme,  
CEVIS VIDEO SYSTEMS  
D-76181 Karlsruhe



This document may not be duplicated nor its  
contents used or communicated to others without  
express authority!  
Delivery subject to availability; right of technical  
modifications reserved.

**We are building security.**

**Division Cerberus**

---

**Siemens Gebäudetechnik GmbH & Co. oHG**

**Order No. A24205-A336-A797-\* -7604**  
Issue 10/99      CCTV PL-1  
Printed in the Federal Republic of Germany  
on environmentally-friendly chlorine-free paper