



SISTORE AX9 / AX16

AX9 250/200
AX16 250/200

Digital Video Recorder

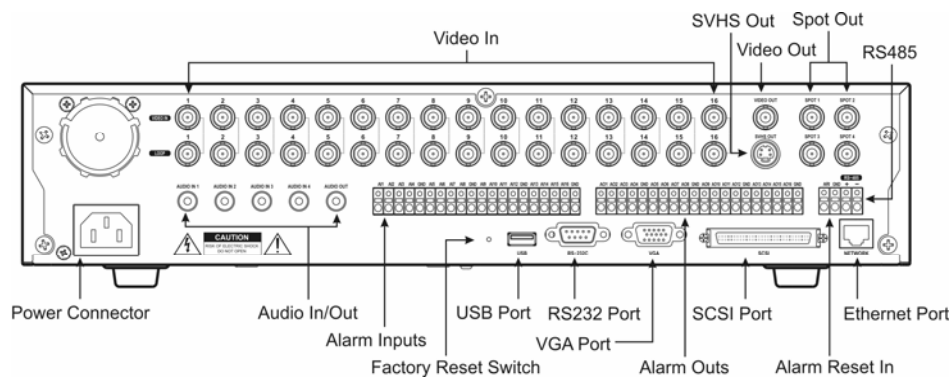
- Efficient video compression through “MPEG4 technology”
- Easy-to-use graphical interface, including RAS remote software
- Recording speed up to 200 Images per Second (240 for NTSC)
- Operation and configuration locally via front buttons and mouse, IR remote control or remotely via included RAS software
- 4 Spot monitor outputs
- Integrated SCSI interface to connect an external RAID system (optional)
- Individual authorization for groups and users
- Triplex monitoring: Display of live video and search while recording
- 4 channel audio recording and audio playback
- Text input interface, e. g. to connect ATM (Automatic Teller Machine) or POS (Point of Sales) devices
- Dual Encoding: Flexible transfer speed when transmitting over the network
- Support of VSS SDK interface for the integration into a higher-level system (e.g. Video Software IVM or access control system SiPass)
- Support of 10 languages (EN, DE, FR, IT, ES, PT, NL, DA, SV, PL)

SISTORE AX is a stand-alone DVR (Digital Video Recorder), suitable for a wide range of applications, e.g. for gas filling stations, retail outlets or public buildings. It offers installers and end-users a flexible, low-maintenance video recording system, combining fast recording with a great deal of functionality.

Various network interfaces, e.g. Ethernet, DSL or modem, allow remote access to the system. Monitoring, playback, configuration, upgrade, system check and PTZ control is possible via RAS software.

Copy video clips to an internal DVD writer or external USB device, no special software required for the review of the video clips on a PC. Chained Fingerprint enabling a solid chain of evidence prevents the images from being altered or modified.

Connection diagram



Technical data

Monitoring

Video inputs	Composite: 9/16 Looping, BNC, PAL/NTSC (auto detection)
Video outputs	1 Composite, 1 SVHS, 4 SPOT 1 x VGA: PAL: 30.8 kHz (horizontally), 50 Hz (vertically) NTSC: 30.8 kHz (horizontally), 60 Hz (vertically)

In / Out

Audio In / Out	4/1 RCA
Alarm inputs	9/16 (NO or NC)
Alarm outputs	9/16 (open collector: 5 mA at 12 V, 30 mA at 5 V)
Network	Ethernet, DSL, external modem
Auxiliary In / Out	RS232, RS485, 3 x USB, UltraSCSI
User interface	Front buttons, remote keyboard, mouse, IR remote control
User administration	64 groups, 256 users/group (access right programmable per group)

Record & Playback

Compression	MPEG4 Technology (Video), ADPCM (Audio)
Recording speed	Up to 200 ips (PAL), up to 240 ips (NTSC)
Recording resolution	CIF, 2CIF
Recording mode	Time-Lapse, Event, Pre-Event (up to 30 min), Text-In, Panic
Search mode	Date/Time, Calendar, Event, Motion, Museum, Text-In

System

Operating System	Embedded Linux (built-in Flash Memory)
Storage	Internal: 250GB, extensible with two 250GB extension kits External: optional SCSI HDD or RAID (up to 2TB)
Data Export	Built-in DVD writer, USB (HDD, CD writer, FlashDrive)
Disk Management	Temperature check, SMART diagnosis, operation w/o HDD

Specifications

Power supply	100 – 230 V AC, 2 A, 50/60 Hz
Power input	Max. 85 W (120 W when 3 hard disk drives are installed)
Operating temperature	5 – 40 °C (41 – 104 °F)
Relative Humidity	0 – 90% (non-condensing)
Version	19-inch rack, 2 rack units
Dimensions (W x H x D)	430 x 88 x 405 mm
Approvals	CE, UL, FCC, C-Tick

Details for ordering

Type	Part no.	Designation	Weight
SISTORE AX9 250/200	2GF4816-8EB	SISTORE AX9, 250GB, 200 ips	10.2 kg
SISTORE AX16 250/200	2GF4816-8FB	SISTORE AX16, 250GB, 200 ips	10.2 kg
AXHDE	2GF4816-8BA	SISTORE AX HDD extension kit, 250GB	1.5 kg