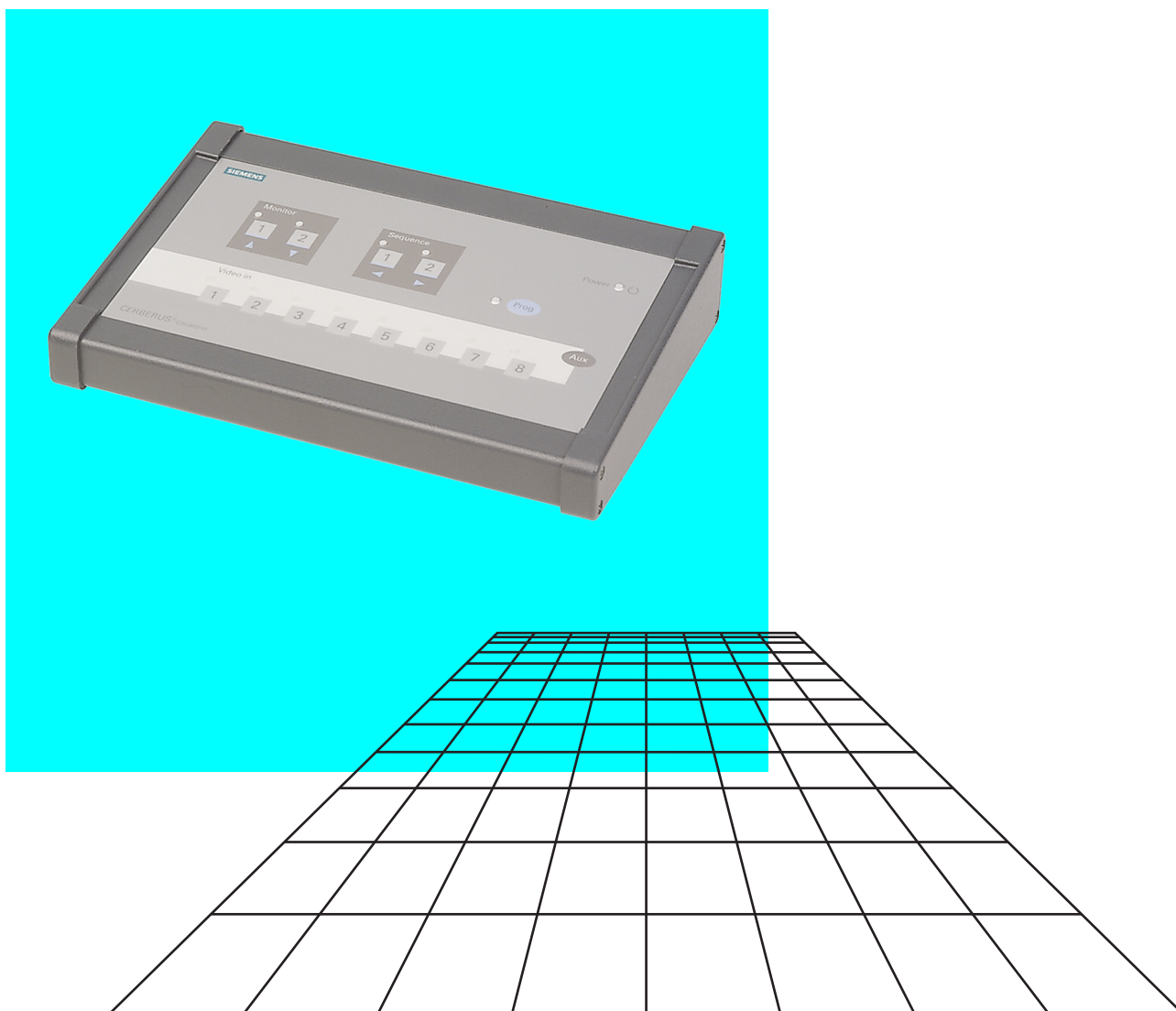


SIEMENS

Video switcher 8/2 Cerberus[®] CSUA8210



Video switcher 8/2 Cerberus® CSUA8210

Features

- **8 video inputs, color or black-and-white**
- **2 video outputs**
- **Optional switching of the 8 video inputs to the 2 outputs**
- **Separate video sequences can be programmed for the 2 outputs**
- **Video signal failure monitoring**
- **8 alarm inputs**
- **Alarm-controlled picture switching**
- **Text output in video display for video input signal and alarm**
- **Relay output for control of a recording device in event of alarm**
- **Possibilities for alarm acknowledgment: manual individual acknowledgment, manual common acknowledgment, or by external signal**
- **Parameterization using on-screen display on connected monitor**
- **Serial interface (RS232) for incorporation of video switcher CSUA8210 as sub-station via IVM NT (Interactive Video Management system NT)**

Application

The video switcher CSUA8210 can switch video signals from up to 8 video signal sources to 2 output channels (monitors 1 and 2) via an internal matrix.

The assignment between the video input and output channels is made either manually or automatically, or controlled by alarm signals.

User-friendly operation and a compact design characterize the device. All settings are made using the on-screen display (OSD) on the connected monitor.

The video switcher is an effective, economical solution particularly for smaller video surveillance systems.

Camera sequences

Camera (picture) sequences can be parameterized to automate the switching of individual video inputs. A sequence of any video inputs can be assigned to each output channel (monitor 1 and monitor 2), together with an individual dwell time for each video input.

Alarm display functions

The device has a powerful alarm processing function which permits two separate displays for different monitoring strategies.

With the "Alarm sequence function", the alarm channels are displayed cyclically in the event of an alarm; the alarm sequence time is adjustable.

With the "Alarm stack function", the alarm channel which was triggered last is displayed permanently, and the other channels remain stacked in the background in their sequence of occurrence. If an alarm is acknowledged, the associated video channel is deleted from the stack.

Manual switching

The assignment of video input channels to video output channels can be manually changed at any time. This temporarily interrupts any camera sequences or one of the automatic alarm display functions (alternating display).

Parameterization

It is possible to parameterize which alarm display function is assigned to which monitor, and whether an alarm can be acknowledged on the video switcher itself and/or externally via the RS232 interface.

The buzzer for alarms can be switched on or off.

A clear selection menu which is displayed on the monitor and selected using the control panel of the video switcher is used for parameterization.

Fig. 1 shows an installation example of a system controlled by *one* operator, comprising a video switcher CSUA8210, two monitors, a video recorder and 8 cameras. The connection to the CEVIS video system is made via the IVM-NT.

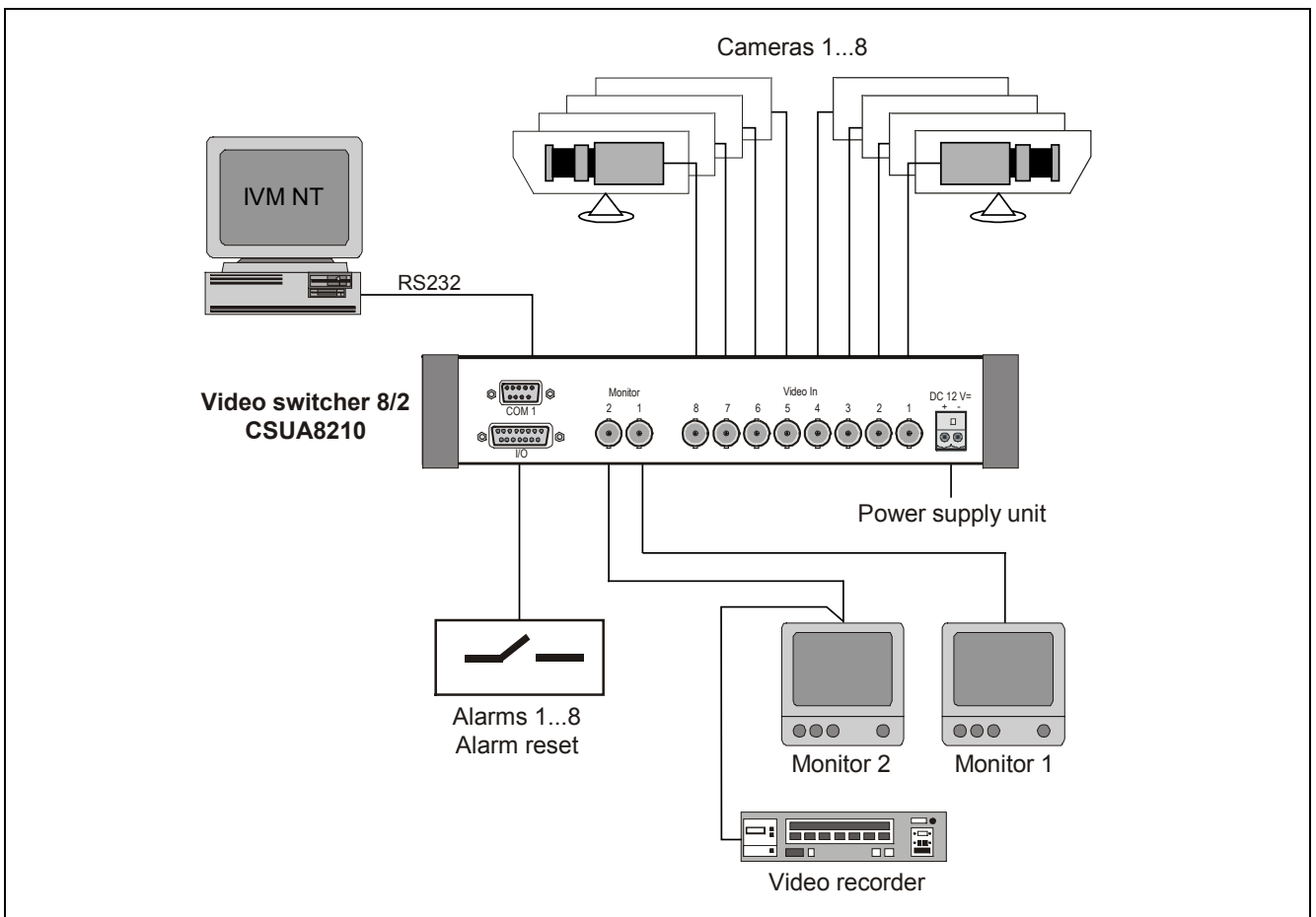


Fig. 1: Installation example of video switcher CSUA8210

Ordering data

Designation	Order No.	Approx. weight in kg
Video switcher 8/2 Cerberus® CSUA8210 8 inputs, 2 outputs DC 12 V, max. 400 mA	2GF2203-8FA	1.1
Accessories, not included in delivery		
Plug-type power supply unit 230 V, 50 Hz/DC 12 V, 640 mA, for indoor use, with 2-m DC cable	2GF1800-8BE	0.5

Technical data

Matrix unit

Video inputs (cameras)	8 BNC sockets (Video in), (C)CVS, $U_{pp} = 1 \text{ V}$ into 75Ω
Video outputs (monitors, video recorders)	2 BNC sockets (Monitor), (C)CVS, $U_{pp} = 1 \text{ V}$ into 75Ω according to input signal
Video bandwidth	> 5 MHz
Signal/noise ratio	> 47 dB
Dwell time of automatic cycle	0 s to 240 s
Video signal failure detection	Display on LED
On-screen display	Input signal and alarm, display on connected monitor

System control

Controller	8-bit microprocessor system
------------	-----------------------------

Interfaces

Alarm inputs/outputs	Via 15-contact Sub-D socket connector: 8 x alarm input for alarm lines (alarm, acknowledgment, relay); alarm reset input; common alarm or auxiliary contact output (NO contact, NC contact and center contact of internal relay), max. rating 1 A/DC 48 V
Data interface	Via 9-pin Sub-D plug: RS232 interface, all parameters fixed at: transmission rate 9,600 bit/s, 8 data bits, 1 stop bit, no parity, no hardware handshake

Power supply, external

Via 2-pin plug
DC $12 \text{ V} \pm 10 \%$, regulated,
max. current consumption 400 mA

Ambient temperature range

$0 \text{ }^\circ\text{C}$ to $40 \text{ }^\circ\text{C}$

Design

Aluminium housing, painted RAL 7016 with plastic side parts

Dimensions (W x H x D)

225 mm x 30/50 mm x 170 mm

The internal 75Ω terminating resistors of the video inputs can be switched off by removing the respective plug-in jumpers. The video switcher can be integrated into the CEVIS video system via a connection to the IVM NT. Communication between the video switcher and the IVM NT is via the 9-core, serial zero modem cable connected to the RS232 data interface (COM1).

An appropriate DC 12 V power supply is required to operate the video switcher, but is not included in its delivery (see Ordering data).

Issued by SGS
CEVIS VIDEO SYSTEMS
D-76181 Karlsruhe



This document may not be duplicated nor its contents used or communicated to others without express authority!
Delivery subject to availability; right of technical modifications reserved.

We are building security.

Cerberus Division

Siemens Gebäudesicherheit GmbH & Co. oHG

Order No. A24205-A336-B762

Issue 01/01 CCTV PL-6
PA 01012. Grpierre IBR-001-29-365-115
Printed in the Federal Republic of Germany
on environmentally-friendly chlorine-free paper