



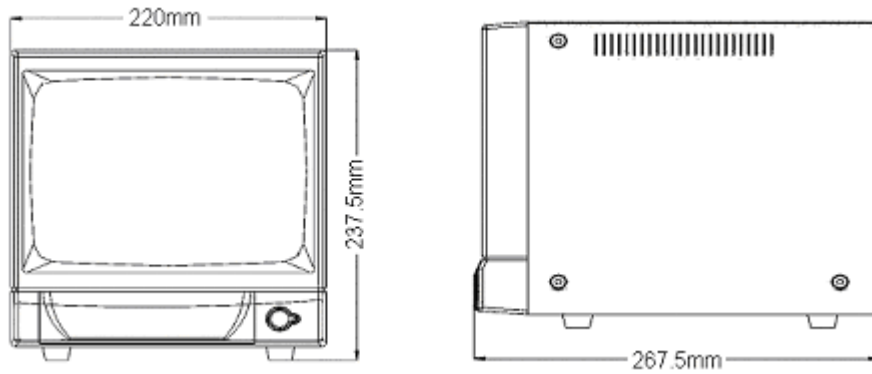
9" (23cm) Monochrome Monitor

CMCB0920

-
- Unique Siemens design
 - Corporate Design product.
 - A range that meets requirements of middle and standard range applications
 - CCIR / EIA auto-sensing
 - CE & UL Approval
 - A simple monochrome solution

The Siemens CMCB0920 monochrome video monitor is well suited to CCTV surveillance tasks where a cost effective solution is needed and good picture quality and monitor reliability are very important. Designed to fit in with the Siemens Corporate Product range the unit has the same design features as the other monitors in this range and will provide a professional finish to installations. The controls situated on the front panel are simple to operate. There is one BNC video input connector and one BNC video output connector on the rear panel of the unit. A termination switch on the rear panel will allow installers to correctly set the input impedance.

Dimension drawings and controls



Technical data

Specifications

TV Standard	CCIR / EIA (automatic scanning)
Cathode Ray Tube	Visible approx. 9" or 23cm
Horizontal resolution	≥ 900 lines at center of picture
H/V frequency	15.625 kHz/50 Hz (CCIR) or 15.750 kHz/60Hz (EIA)
Video input signal	1Vp-p
Video inputs	One
Video termination	High impedance or 75Ω termination switch on rear panel
Power Switch	On/Off push button
Contrast control	Rotary potentiometer
Brightness controls	Rotary potentiometer
Horizontal hold	Rotary potentiometer
Vertical hold	Rotary potentiometer
Linearity	H: 10% V: 10%
Temperature range	Operation 0°C-50°C
Humidity range	Operation 10%-85%
Case material	Steel

Dimensions

Unit dimensions	220mmx237.5mmx267.5mm (8,66"x9,33"x10,5")
-----------------	---

Electrical

Input voltage	100VAC-240VAC 50Hz-60Hz
Power consumption	21 W

Approvals

UL Approval	UL60950
FCC Approval	FCC part 15, Subpart B
CE Approval	EN 55022:1998, EN 61000-3-2:2000

Order Information

Monochrome monitor 9" / 23cm CMCB0920	2GF3031-8AA
--	-------------