



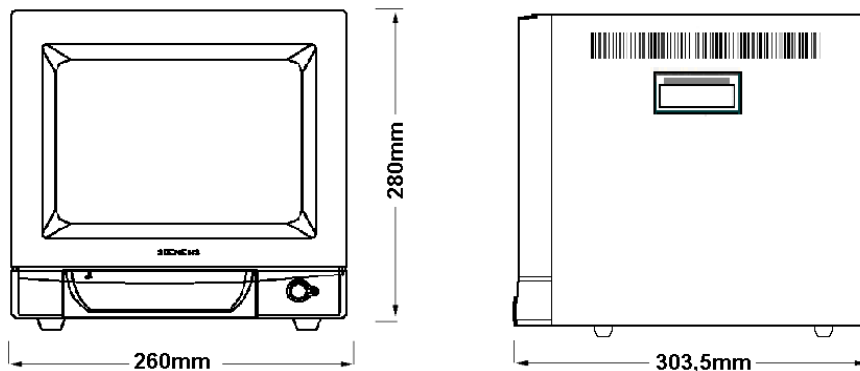
10" (25cm) Colour Video Monitor

CMCC1020

-
- Unique Siemens design
 - Corporate Design product.
 - A range that meets requirements of middle and standard range applications
 - NTSC / PAL auto-sensing
 - CE & UL Approval
 - A simple colour solution

The Siemens CMCC1020 colour video monitor is well suited to CCTV surveillance tasks where a cost effective solution is needed and good picture quality and monitor reliability are very important. Designed to fit in with the Siemens Corporate Product range the unit has the same design features as the other monitors in this range and will provide a professional finish to installations. The controls situated on the front panel are simple to operate. There is one BNC video input connector and one BNC video output connector on the rear panel of the unit. A termination switch on the rear panel will allow installers to correctly set the input impedance.

Dimension drawings



Technical data

Specifications

| | |
|-----------------------|--|
| TV Standard | PAL / NTSC (automatic scanning) |
| Cathode Ray Tube | Visible approx. 10" or 25cm |
| Horizontal resolution | ≥ 300 lines |
| H/V frequency | 15.625 kHz/50 Hz (PAL) or 15.750 kHz/60Hz (NTSC) |
| Video input signal | 1Vp-p |
| Video input | One (looping BNC) |
| Video termination | High impedance or 75Ω termination switches on rear panel |
| Audio input | One (looping RCA) |
| Y/C input | One (looping Din 4Pin) |
| Power Switch | On/Off push button |
| Contrast control | Rotary potentiometer |
| Brightness control | Rotary potentiometer |
| Colour control | Rotary potentiometer |
| Sharpness control | Rotary potentiometer |
| Volume control | Rotary potentiometer |
| Tint control | Rotary potentiometer (NTSC only) |
| Linearity | H: 10% V: 10% |
| Temperature range | Operation 0°C-50°C |
| Humidity range | Operation 10%-85% |
| Case material | Steel |
| Unit dimensions | 260mmx280mmx303,5mm (10,2"x11,3"x12") |

Electrical

| | |
|-------------------|-------------------------|
| Input voltage | 100VAC-240VAC 60Hz-50Hz |
| Power consumption | 50W |

Approvals

| | |
|--------------|----------------------------------|
| UL Approval | UL60950 |
| FCC Approval | FCC part 15, Subpart B |
| CE Approval | EN 55022:1998, EN 61000-3-2:2000 |

Order Information

| | |
|---|-------------|
| Colour video monitor 10" / 25cm CMCC1020 | 2GF3131-8AA |
|---|-------------|