



CMTC1515

TFT Monitors

15" Colour TFT Monitor

Commercial TFT monitor specifically for CCTV applications

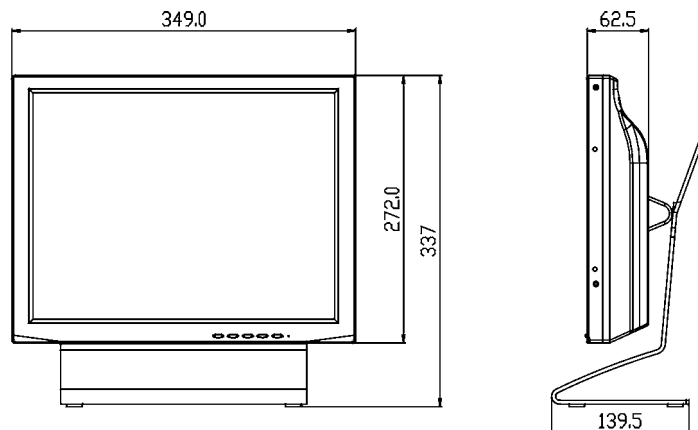
- **Picture-in-picture (PIP) function to display two inputs simultaneously**
- **High brightness and resolution for excellent image reproduction**
- **Metal housing and glass front for commercial applications in the security sector**
- **Modern housing design and convenient operation via OSD menu**

This XGA high resolution TFT monitor is specifically designed for CCTV security applications. It has two dedicated BNC video inputs with looping outputs, an S-VHS input and a DVI input allowing connection to PC-based digital recorders. The picture-in-picture feature allows two inputs to be displayed simultaneously (Video/Video; Video/DVI; Video/S-Video; S-Video/DVI). The monitor is further equipped with two audio inputs and outputs and includes integral loudspeakers.

With a sturdy metal housing, the monitor is also suited for demanding industrial applications where bright rooms require very high screen brightness, high contrast and high resolution, plus a wide viewing angle for simple viewing at all angles. The screen has an anti-glare coating and is protected by a glass pane.

This TFT monitor offers numerous advantages over conventional CRT monitors, as it features flicker-free images, smaller desk space, detachable stand for easy wall mounting, low power consumption and above all, has a longer screen lifetime than CRT monitors.

Dimension drawings



Technical data

Resolution	XGA, 1024 x 768 pixels
Contrast ratio	400:1
Brightness	250 cd/m ²
Colours	16.7 M
Viewing angle Left/Right, Up/Down	80/80°, 80/80°
Response time	25 ms
Power supply	100 ~ 240 V, 50/60 Hz, 50 W (built-in power pack)
Scan frequency	H: 30 k ~ 80 kHz, V: 50 ~ 75 Hz
Video standard	PAL/NTSC (auto-sensing)
Video signal	0.5 ~ 2 V _{PP} / 75 Ohm; Y: 1 V _{PP} , C: 0.3 V _{PP}
Audio	2 built-in speakers, L+R
Inputs	2 x audio in (RCA)
Outputs	2 x audio out (RCA) 1 x phone (3.5 mm jack)
Power consumption	2 x 1.5 W / 8 Ohm, +/- 10%
Connections	
Video inputs (PIP)	2 x video in (BNC), 1 x S-video, 1 x DVI-I
Video output	2 x video out (BNC)
OSD control	colour, hue, brightness, contrast, sharpness, volume, language, scan (O/U), picture-in-picture function (PIP)
OSD languages	English, German, French, Italian, Spanish, Polish, Czech, Swedish
Operating temperature	5 ~ 35 °C
Storage temperature	-25 ~ +60 °C
Housing	metal, front panel: glass
Installation	VESA standard (4 x M4; 100 x 100 mm)
Dimensions, monitor only (W x H x D)	34.9 x 27.2 x 6.25 cm
Panel	DIN ISO 13406-2, class II
Approvals	FCC, CUL, CE

Ordering data

Type	Order No.	Designation	Weight
CMTC1515	2GF3124-8AA	15-inch colour TFT monitor	6.0 kg