

SIEMENS



1/3 inch High-Res Extended Dynamic Day/Night Camera

**CCWC1335-LP
CCWC1335-MP**

Instruction Manual

Fire Safety & Security Products

Siemens Building Technologies

Data and design subject to change without notice. / Supply subject to availability.
© 2005 Copyright by
Siemens Building Technologies AG

We reserve all rights in this document and in the subject thereof. By acceptance of the document the recipient acknowledges these rights and undertakes not to publish the document nor the subject thereof in full or in part, nor to make them available to any third party without our prior express written authorization, nor to use it for any purpose other than for which it was delivered to him.

Dear Customer

By selecting this SIEMENS product, you have chosen a professional device that guarantees the highest possible quality and reliability. We would like to thank you very much for your confidence in our products and kindly ask you to read the following instructions carefully before installing and using the product, in order to take full advantage of all quality features included in this product line.

WARNING

To reduce the risk of fire or electrical shock, do not expose this product to rain or moisture. It should be installed by a qualified service person and should conform to all local codes. Please connect the equipment to a 12 V DC or 24 V AC Class 2 power supply if the LP camera model is to be installed.

Contents

1	General Information	5
1.1	General Safety Precautions	5
1.2	Electromagnetic Compatibility (EMC)	5
1.3	Manufacturer's Declaration of Conformity.....	6
2	Ordering Data	6
3	Package contents.....	6
4	General Guidelines	8
4.1	Operation & Storage	8
4.2	Cleaning	8
4.3	Transportation	8
4.4	CCD Characteristics.....	8
5	Technical Specifications	9
5.1	Dimensions	9
5.2	Product Specifications	9
6	Camera Parts & Connections	11
6.1	Camera Parts	11
6.2	Connector Pin Definition	12
6.3	OSD Setting Hierarchy.....	13
7	Installing the Camera.....	14
7.1	Installation	14
7.2	Function Settings	14
7.2.1	D/N MODE	15
7.2.2	D/N LEVEL.....	16
7.2.3	D/N DELAY	16
7.2.4	EXPOSURE	17
7.2.5	SHUTTER	18
7.2.6	SENS UP	18
7.2.7	GAIN	18
7.2.8	SYNC	19
7.2.9	BLC	19
7.2.10	WHITE BAL.....	20
7.2.11	GAMMA.....	21
7.2.12	APERTURE.....	21
7.2.13	EZOOM	21
7.2.14	MIRROR.....	22
7.2.15	PRIVACY ZONE	22
7.2.16	OPTION	23
7.2.16.1	BLEMISH DET	23
7.2.16.2	BACK FOCUS.....	23
7.2.16.3	ALARM FUNC.....	24
7.2.16.4	ALARM OUT	24
7.2.16.5	ALARM DELAY	24
7.2.16.6	ALARM TEXT.....	24
7.2.16.7	CHROMA	24
7.2.16.8	CAMERA TEXT.....	24
7.2.17	REMOTE.....	25
7.2.17.1	MODEL	25
7.2.17.2	ADDRESS.....	25
7.2.17.3	BAUD RATE.....	25
7.2.17.4	PROTOCOL.....	26

7.2.17.5	SOFT VER	26
7.2.17.6	Pattern.....	26
7.2.18	NEXT/ BACK.....	26
7.2.19	EXIT	26
7.2.20	CANCEL.....	26
7.2.21	DEFAULT	26
8	Index	27

1 General Information

1.1 General Safety Precautions

- Read these instructions carefully before connecting the camera in order to avoid damage caused by improper installation or use.
- Installation may be done only by authorized personnel according to the local safety regulations.
- Operate the camera only with the designated voltage.
- Follow the safety instructions for the camera.
- Never use the camera for purposes other than those designated.
- Repairs and adjustments to the camera may be done only by authorized personnel.
- If liquids or objects get into the housing, disconnect the camera from the power supply and have it checked by your authorized dealer before using it again. (Danger of electric shock!)
- This equipment has been tested and found to comply with the limits for a Class B digital device. These limits are designed to provide reasonable protection against harmful interference in a residential installation.
- This equipment may generate, uses and can radiate radio frequency energy and, if not installed and used according to instructions, may cause harmful interference with radio communications.
- Be aware that any modifications not explicitly approved in this manual may void your equipment warranty.
- The shielded interface cable recommended in this manual must be used with this equipment in order to comply with the limits for a digital output device.

1.2 Electromagnetic Compatibility (EMC)

This product has been designed for use in general-purpose CCTV applications in a residential, business or industrial environment. Please contact the supplier of this product before you install it in medical and/or intrinsically safe applications or in an industrial EMC environment.

To ensure normal operation and to avoid EMC problems, the product must be installed according to the currently valid EMC installation guidelines.

To meet the CE norms, enclosed EMI-cores should be applied to the Y/C and power cable (see chapter 7.1).

1.3 Manufacturer's Declaration of Conformity

EU Directive

The following applies to the equipment described in this instruction manual:
The product fulfils the requirements of EU directive 89/336/EEC with regard to "electromagnetic compatibility" and EU directive 73/23/EEC, the "low-voltage directive", according to EN 60065.

Area of Use	Requirements for	
	Emitted Interference	Noise Protection
Industry and residential	EN 55022:1998 Class B EN 61000-3-2 A2: 1998 EN 61000-3-3: 1995	EN 50130-4:1998

The EU certificate of conformity is available for official inspection and is held at:

Siemens Building Technologies
SBT FSP DE
Siemensallee 84
76187 Karlsruhe, Germany

2 Ordering Data

Designation	Order No.	Approx. Weight (kg)
CCWC1335-LP 1/3" High-Resolution Extended Dynamic Day/Night Camera 12 V DC/24 V AC	2GF1183-8FC	0.55
CCWC1335-MP 1/3" High-Resolution Extended Dynamic Day/Night Camera 90 ~ 260 V AC	2GF1183-8FB	0.55
Accessories, not included in delivery!		
PSU230-12 Power supply unit for 12 V DC cameras	2GF1800-8BE	0.12
CAPA2410-P Power supply unit for 24 V AC cameras	2GF1800-8BJ	0.30

3 Package contents

- CCD camera
- C/CS-mounting adapter
- EMI core (-LP: 1pcs, -MP: 2pcs)
- CD containing remote control software and a detailed operating manual

- Quickstart manual

4 General Guidelines

4.1 Operation & Storage

- Avoid filming very bright objects (such as lighting fixtures) for an extended period.
- Do not operate or store the unit in the following locations:
 - Extremely hot or cold places.
 - Close to sources of strong magnetic fields.
 - Close to sources of powerful electromagnetic radiation, such as radios or TV transmitters.
 - In humid or excessively dusty places.
 - Where exposed to mechanical vibrations.
 - Close to fluorescent lamps or objects reflecting light.
 - Under unstable or flickering light sources.
- Do not attempt to service this unit yourself unless you are authorized to do so. Opening the camera may expose you to dangerous voltages or other hazards. Refer all servicing to qualified personnel only.

4.2 Cleaning

Do not touch the imaging surface of sensor. Use a soft cloth moistened with alcohol to clean the surface if it is touched accidentally.

4.3 Transportation

Use the original packing material or materials of equal quality.

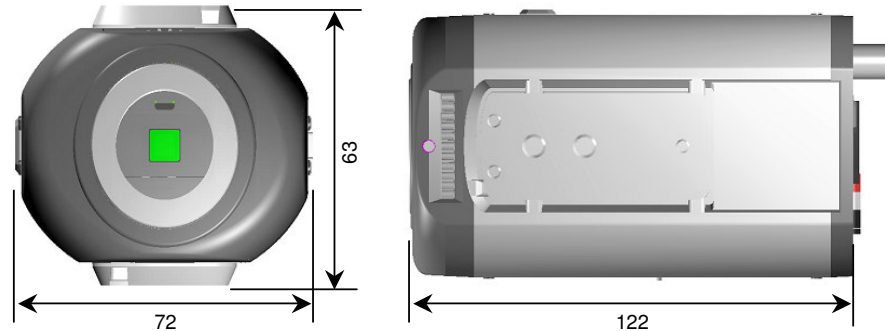
4.4 CCD Characteristics

The following conditions may be observed when using a CCD camera. These are inherent in the design and do not stem from any fault in the camera itself.

Vertical smear	This phenomenon occurs when viewing a very bright object.
Patterned noise	This is a fixed pattern, which may appear over the entire monitor screen when the camera is operated at a high temperature.
Jagged picture	When viewing stripes, straight lines, or similar patterns, the image on the screen may appear jagged.

5 Technical Specifications

5.1 Dimensions



5.2 Product Specifications

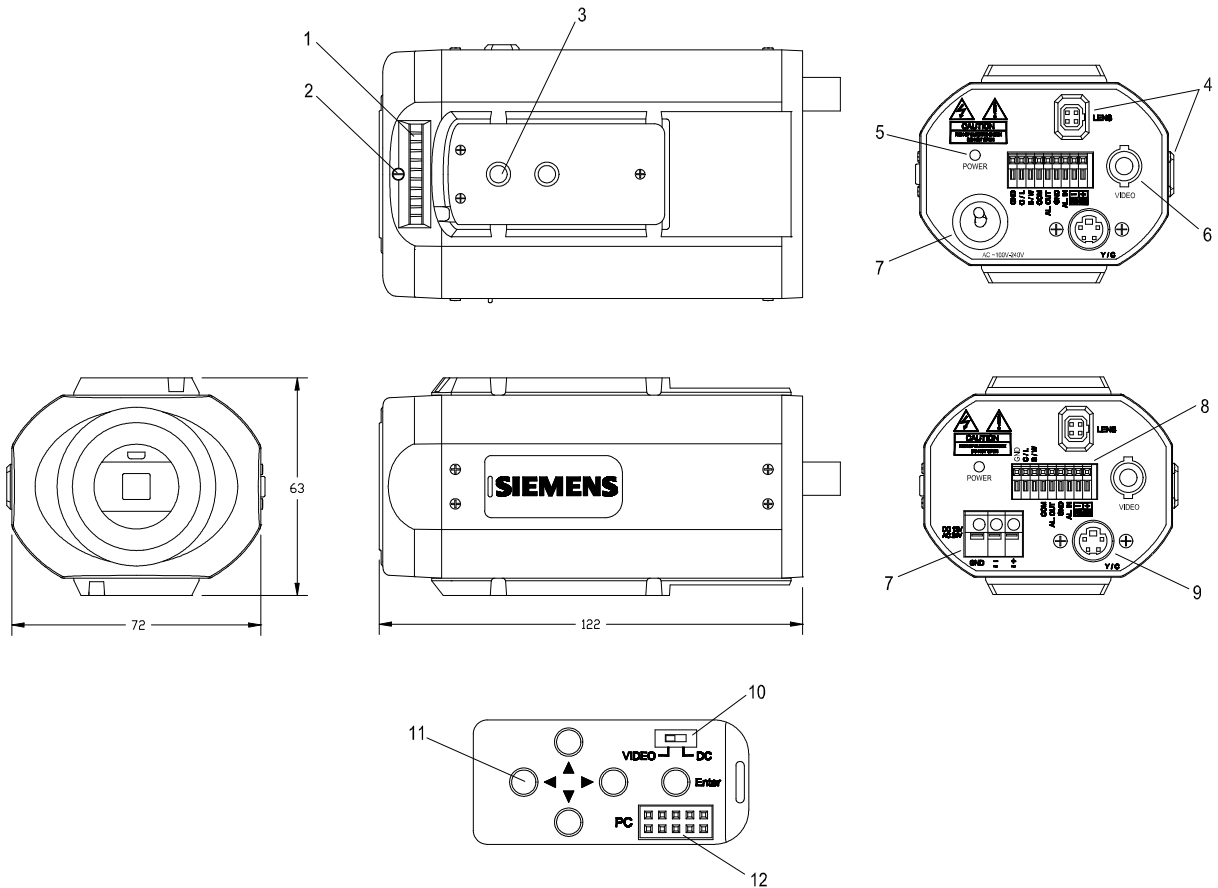
Image area	4.9 x 3.7 mm
Pickup elements	752 (H) x 582 (V) pixels 1/3" WD CCD
Scanning system	2:1 interlace PAL V: 50 Hz, H: 15,625 Hz
Sync system	Internal/ line lock selectable (AC only)
Video output	BNC composite, Y/C output
Lens mount	CS mount
Resolution	> 480 TV lines (Horizontal)
Gamma correction	0.45, 1.0 selectable
Minimum illumination	CL: 0.4 lux @F=1.4 (AGC 30dB , 50IRE video output) BW :0.08 lux @ F=1.4 (AGC 30dB , 50IRE Video Output)
S/N ratio	> 50 dB
Power source	12 V DC \pm 10% regulated power supply 24 V AC \pm 10%, 50 Hz 100~240 V AC \pm 10%, 50 Hz
Power consumption	8 VA (max) as DN filter moving
Ambient conditions	-10 ~ 50 °C/ 95% max relative humidity, no condensation
Dimensions in mm	122 (L) x 72 (W) x 63 (H)
Weight	550 g (max.)
Shutter control	Auto: 1/50 to 1/50,000 Sec. Manual: 1/50, 1/120, 1/250, 1/500, 1/1K, 1/2K, 1/5K, 1/10K, 1/20K, 1/50K
Slow shutter	2X, 5X, 10X, 20X, 40X, 80X, 160X, 320X
Wide dynamic	OFF/ON (X 128)
Gain control	Selectable (OFF, Normal, Turbo); gain (up to 30 dB)
Backlight compensation	6 area selectable: Center 1, Center 2, Up Half, Low Half, Middle Low, Middle High

Technical Specifications

Privacy zone	8 blocks (max)
D/N mechanical	Dual moving OLPF/glass
D/N mode	AUTO, MAUNAL, COLOR, MONO
D/N level	HIGH, MID, LOW
D/N DLY	0, 5, 10, 15, 20 selectable
Digital zoom	X 2.6
Aperture correction	HIGH, MID, LOW
White balance	ATW1:2600 °K~6000 °K ATW2: 2500 °K~10,000 °K Manual: 32 steps by push button for R and B
Iris control	Video / DC iris for galvanometer lens
Camera text	16 characters
OSD control	5 control keys on the side-panel of camera
Default settings	Default setting restored by pushing the DEFAULT button
Remote control	RS-485
Alarm IN	1CH
Alarm OUT	NC or NO selectable

6 Camera Parts & Connections

6.1 Camera Parts



1. Back focus adjustment ring ①
2. Back focus lock screw ②
3. Tripod mount hole ③
4. IRIS connector ④
5. Power indicator ⑤
6. Video output ⑥
7. Power cord (or power terminal) ⑦

8. External control terminal: (From right to left) ⑧

Pin	Pin Definition	Description
1	Data +	RS485 signal
2	Data -	
3	Alarm IN	If the alarm IN & GND are shorted, the alarm function will be active. (Please set ALARM FUNC to ON in OSD menu.)
4	GND	
5	Alarm OUT	Alarm output circuit.
6	COM	
7	B/W	If D/N MODE is set in manual mode, this function will be enabled. If B/W & GND are shorted, the video signal is monochrome. If C/L & GND are shorted, the video signal is color.
8	C/L	
9	GND	

9. Y/C terminal ⑨

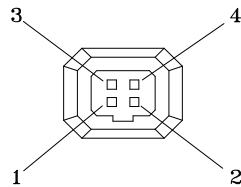
10. Video/ DC lens selection ⑩

11. OSD control button ⑪

12. PC connection port: For factory testing only, the user is not recommended to use this function. ⑫

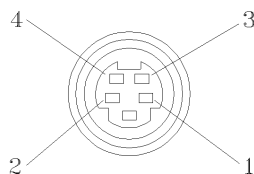
6.2 Connector Pin Definition

IRIS pin assignment



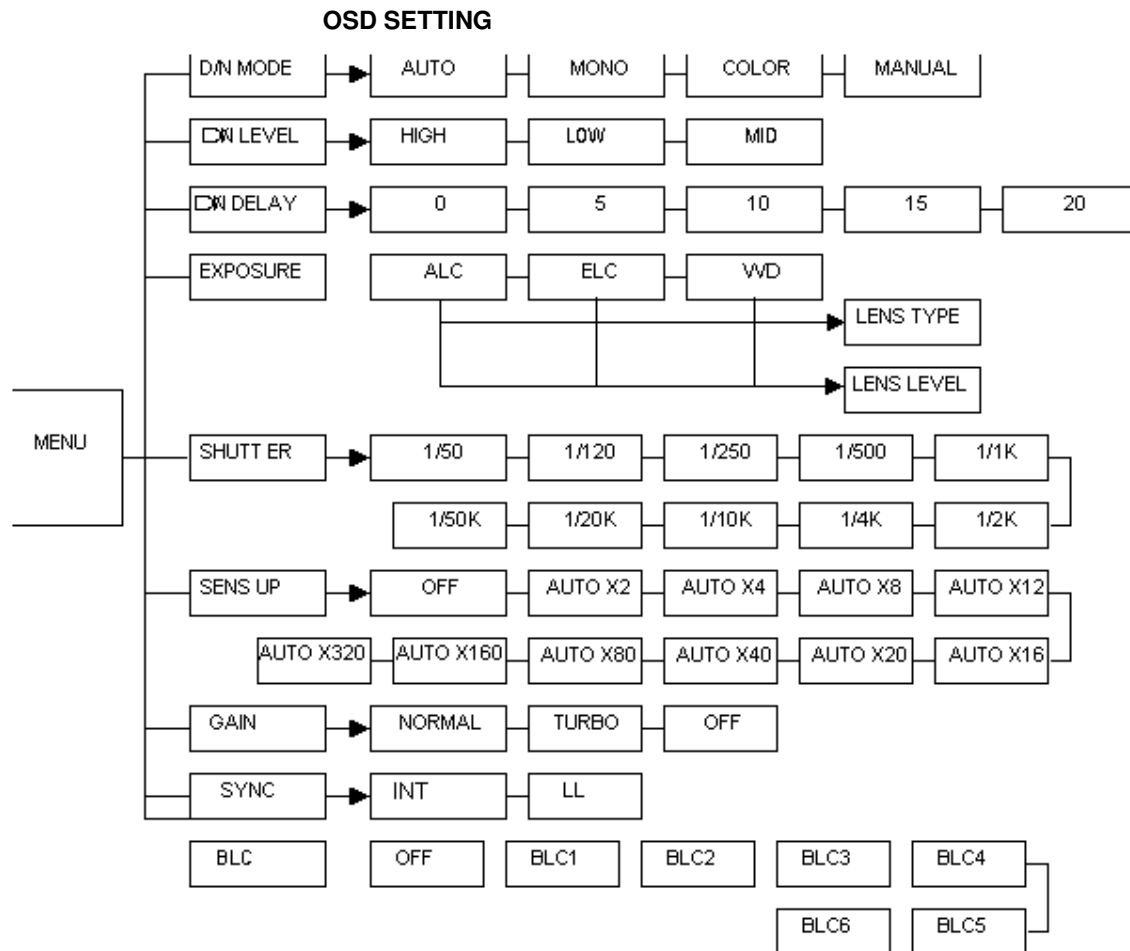
Video Lens	DC Lens
1. +12V	1. Damp-
2. NC	2. Damp+
3. VIDEO	3. Drive +
4. GND	4. Drive-

Y/ C terminal

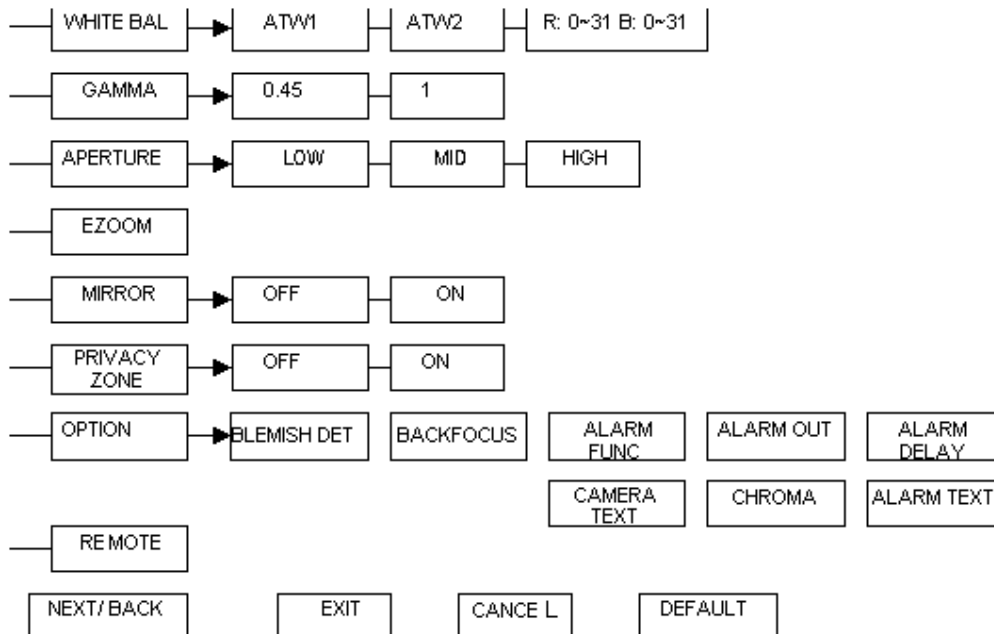


1	GND
2	GND
3	Y (luminance, 1 Vpp, 75 Ω)
4	C (chrominance, 0.3 Vpp (burst), 75 Ω)

6.3 OSD Setting Hierarchy



(P1)



(P2)

7 Installing the Camera

7.1 Installation

1. Connect the BNC cable to the video output ⑥
2. Connect the power source to the power terminal



Caution:

If using a DC supply, make sure the polarity is correct. Incorrect connection may cause malfunction and/or damage to the camera.

3. To reduce radiation sufficiently, please wind one turn around the core, see figure below.

Location	Core illustration	for what camera
Power cable		LP
Y/C cable		LP / MP

EIM-0050751G

4. Adjust the backfocus

For backfocus adjustment, please loosen screw ②, set the camera to AES mode (see section 7.2.16.2: BACK FOCUS), then the rotate backfocus wheel ① until a sharp image appears. Tighten screw ②.

7.2 Function Settings

Select ENTER on the OSD; the menu will appear on the display and will disappear after 30 seconds if no action occurs. The shaded setting area means an item is selected and it keeps blinking.

7.2.1 D/N MODE

D/N MODE	AUTO
D/N LEVEL	HIGH
D/N DELAY	15 sec
EXPOSURE	<ALC>
SHUTTER	1/50
SENS UP	OFF
GAIN	NORMAL
SYNC	LL:000
BLC	OFF
NEXT EXIT	CANCEL DEFAULT

Fig. 1 D/N MODE

This function sets the Day/Night mode to automatic, color, B/W or external control of setting to B/W or color.

Move the cursor to the position shown in Fig. 1.

Use the LEFT/ RIGHT button to select AUTO, MONO, COLOR or MANUAL mode.

AUTO	When set to this mode, the camera will change to COLOR mode or B/W mode automatically depending on a subject's brightness. (When GAIN sets OFF, auto function can't be selected).
MONO	When set to this mode, the camera remains in B/W mode
COLOR	When set to this mode, the camera will remain in color mode.
MANUAL	When set to this mode, the camera will be switched to color or B/W mode manually according to a signal received at a terminal on the rear panel.

7.2.2 D/N LEVEL

D/N MODE	AUTO
D/N LEVEL	HIGH
D/N DELAY	15 sec
EXPOSURE	<ALC>
SHUTTER	1/50
SENS UP	OFF
GAIN	NORMAL
SYNC	LL:000
BLC	OFF
NEXT EXIT CANCEL DEFAULT	

Fig. 2 D/N LEVEL

This function sets the filter switchover point to high, low or medium.

Configure a switchover point from COLOR mode to B/W mode. Move the cursor to the position shown in Fig. 2. Use the LEFT/ RIGHT button to select HIGH, LOW or MID. This setting is only relevant if the D/N mode is set to AUTO.

LOW	The brightness for switchover from COLOR to B/W mode is approx. 1 lux.
MID	The brightness for switchover from COLOR to B/W mode is approx. 2 lux.
HIGH	The brightness for switchover from COLOR to B/W mode is approx. 4 lux.

7.2.3 D/N DELAY

D/N MODE	AUTO
D/N LEVEL	HIGH
D/N DELAY	15 sec
EXPOSURE	<ALC>
SHUTTER	1/50
SENS UP	OFF
GAIN	NORMAL
SYNC	LL:000
BLC	OFF
NEXT EXIT CANCEL DEFAULT	

Fig. 3 D/N DELAY

This function sets the DELAY time for the D/ N function

Move the cursor to the position shown in Fig. 3.

Use the LEFT/ RIGHT button to select 0, 5, 10, 15 or 20 sec for delay of DN filter moving timing. This setting is only relevant if the D/N mode is set to AUTO.



Info:

If using the camera together with **infrared illumination**, we recommend using **video lenses** with special **IR coating** to prevent a physically based focus-shift between daylight and IR illumination.

We recommend using the **D/N mode "MANUAL"** when the camera is used with discrete IR illumination in order to prevent the continual switching between color and B/W mode that might occur with the D/N mode "AUTO".

7.2.4 EXPOSURE

D/N MODE	AUTO
D/N LEVEL	HIGH
D/N DELAY	15 sec
EXPOSURE	<ALC>
SHUTTER	1/50
SENS UP	OFF
GAIN	NORMAL
SYNC	LL:000
BLC	OFF
NEXT EXIT	CANCEL DEFAULT

Fig. 4 EXPOSURE

This function sets ALC for Auto IRIS lens control or ELC for auto electronic shutter.

Move the cursor to the position shown in Fig. 4.

The exposure level can be adjusted by moving the LEVEL cursor on the menu accordingly.

ALC:

ALC MENU	
LENS TYPE	DC
LENS LEVEL	-----*-----
BACK	

ELC: Auto electronic shutter mode.

ELC MENU	
LENS LEVEL	-----*-----
BACK	

WD:

WD MENU	
WD	ON/ OFF
LENS	DC
LEVEL	----*-----
BACK	

WD „On“ activates the WD-mode that expands the dynamic range of the camera x128.



NOTE:

ELC-mode is for usage with fixed iris lenses!

When activating WD-mode under extreme light-conditions, the video-output might look "artificial"; but the picture contents are much better visible.

7.2.5 SHUTTER

D/N MODE	AUTO
D/N LEVEL	HIGH
D/N DELAY	15 sec
EXPOSURE	<ALC>
SHUTTER	1/50
SENS UP	OFF
GAIN	NORMAL
SYNC	LL:000
BLC	OFF
NEXT EXIT	CANCEL DEFAULT

Fig. 5 SHUTTER

This function sets the high-speed electronic shutter (AUTO to 1/100K sec).

Move the cursor to the position shown in Fig. 5.

Using the LEFT/ RIGHT button, select a shutter speed from 1/50 to 1/100K.

7.2.6 SENS UP

D/N MODE	AUTO
D/N LEVEL	HIGH
D/N DELAY	15 sec
EXPOSURE	<ALC>
SHUTTER	1/50
SENS UP	OFF
GAIN	NORMAL
SYNC	LL:000
BLC	OFF
NEXT EXIT	CANCEL DEFAULT

Fig. 6 SENS UP

Select slow shutter mode (OFF to AUTO X320).

Move the cursor to the position shown in Fig. 6.

Using the LEFT/ RIGHT button, select a slow shutter speed from X2 to X320, or OFF.

7.2.7 GAIN

D/N MODE	AUTO
D/N LEVEL	HIGH
D/N DELAY	15 sec
EXPOSURE	<ALC>
SHUTTER	1/50
SENS UP	OFF
GAIN	NORMAL
SYNC	LL:000
BLC	OFF
NEXT EXIT	CANCEL DEFAULT

Fig. 7 GAIN

Selection of GAIN: (NORMAL / TURBO / OFF)

Move the cursor to the position shown in Fig. 7.

Using the LEFT/ RIGHT button, set the gain to NORMAL, TURBO or OFF.

NORMAL	Standard position, GAIN=24dB.
TURBO	High-sensitivity position, GAIN=30dB.
OFF	Minimum gain. If this is selected, D/N mode (AUTO) is disabled.

7.2.8 SYNC

D/N MODE	AUTO
D/N LEVEL	HIGH
D/N DELAY	15 sec
EXPOSURE	<ALC>
SHUTTER	1/50
SENS UP	OFF
GAIN	NORMAL
SYNC	LL:000
BLC	OFF
NEXT EXIT CANCEL DEFAULT	

Fig. 8 SYNC

Move the cursor to the position shown in Fig. 8.

Use the LEFT/ RIGHT button to choose INT or LL. The LL function is available only for camera models supplied with AC power.

INT	The camera is in the internal SYNC mode.
LL	The camera is in the line lock mode; you can adjust the phase angle from 0 ~ 300° accordingly. The default is 0°.



NOTE:

For DC power models, the SYNC will be set automatically to INT mode.

7.2.9 BLC

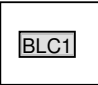
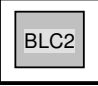
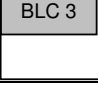
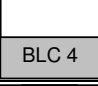
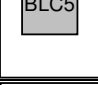
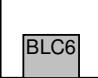
D/N MODE	AUTO
D/N LEVEL	HIGH
D/N DELAY	15 sec
EXPOSURE	<ALC>
SHUTTER	1/50
SENS UP	OFF
GAIN	NORMAL
SYNC	LL:000
BLC	OFF
NEXT EXIT CANCEL DEFAULT	

Fig. 9 BLC

This function is for selecting the backlight mode (OFF, BLC1, BLC2, BLC3, BLC4, BLC5, BLC6)

Move the cursor to the position shown in Fig. 9.

Using the LEFT/ RIGHT button to choose OFF, BLC1, BLC2, BLC3, BLC4, BLC5 or BLC6.

OFF	The BLC function is off.	
BLC1	Backlight compensation window: (Center 1 window, smaller)	
BLC2	Backlight compensation window: (Center 2 Window, larger)	
BLC3	Backlight compensation window: (Top half of the window)	
BLC4	Backlight compensation window: (Bottom half of the window)	
BLC5	Backlight compensation window: (Center portion of the upper half)	
BLC6	Backlight compensation window: (Center portion of the lower half)	

7.2.10 WHITE BAL

WHITE BAL	ATW2
GAMMA	0.45
APERTURE	MID
EZOOM	<SET>
MIRROR	OFF
PRIVACY ZONE	<OFF>
OPTION	<SET>
REMODE	<SET>
NEXT EXIT CANCEL DEFAULT	

Fig. 10 WHITE BAL

This function is for setting the white balance mode (ATW1, ATW2, and manual mode).

Move the cursor to the position shown in Fig. 10.

Use the LEFT/ RIGHT button to choose between ATW1, ATW2, and manual mode.

- ATW1

The TTL auto trace white balance algorithm is designed for perfect color reproduction. The color temperature range is 2600 °K-6000 °K.

- ATW2

The TTL auto trace white balance algorithm is designed for perfect color reproduction. The color temperature range is 2500 °K-10000 °K.

- Manual mode

Press the ENTER button to enter manual mode. To obtain correct manual white balance, adjust the R and B (red and blue) values using the UP/ DOWN button. To exit, use the LEFT/ RIGHT to move the cursor between R and B, and press ENTER.

7.2.11 GAMMA

```

WHITE BAL  ATW2
GAMMA      0.45
APERTURE   MID
EZOOM      <SET>
MIRROR     OFF
PRIVACY ZONE <OFF>
OPTION     <SET>
REMODE     <SET>
BACK EXIT  CANCEL DEFAULT

```

Fig. 11 GAMMA

The values which can be selected are 0.45 and 1.0.

Move the cursor to the position shown in Fig. 11 to set GAMMA value.

Generally, the default value 0.45 is used for CCTV monitor. For image processing purpose, 1.0 can be selected.

7.2.12 APERTURE

```

WHITE BAL  ATW2
GAMMA      0.45
APERTURE   MID
EZOOM      <SET>
MIRROR     OFF
PRIVACY ZONE <OFF>
OPTION     <SET>
REMODE     <SET>
BACK EXIT  CANCEL DEFAULT

```

Fig. 12 APERTURE

This function is for setting the picture sharpness. (LOW, MID, HIGH).

Move the cursor to the position shown in Fig. 12.

Use the LEFT/ RIGHT button to choose HIGH, MID or LOW.

7.2.13 EZOOM

```

WHITE BAL  ATW2
GAMMA      0.45
APERTURE   MID
EZOOM      <SET>
MIRROR     OFF
PRIVACY ZONE <OFF>
OPTION     <SET>
ID         <SET>
BACK EXIT  CANCEL DEFAULT

```

Fig. 13 EZOOM

This function is for setting the electronic zoom factor, up to 2.6 times.

Move the cursor to the position shown in Fig. 13.

Use the LEFT/ RIGHT button to open this menu item, then move the cursor left and right to select the desired zoom factor. The maximum zoom factor is X2.6.



Note: If the WD mode is on, this function is disabled.

7.2.14 MIRROR

```
WHITE BAL  ATW2
GAMMA      0.45
APERTURE   MID
EZOOM      <SET>
MIRROR     OFF
PRIVACY ZONE <OFF>
OPTION     <SET>
REMODE    <SET>
BACK EXIT  CANCEL DEFAULT
```

Fig. 14 Mirror function

Move the cursor to the position shown in Fig. 14.

Use the LEFT/ RIGHT button to choose ON or OFF.

7.2.15 PRIVACY ZONE

```
WHITE BAL  ATW2
GAMMA      0.45
APERTURE   MID
EZOOM      <SET>
MIRROR     OFF
PRIVACY ZONE <OFF>
OPTION     <SET>
REMODE    <SET>
BACK EXIT  CANCEL DEFAULT
```

Fig. 15 PRIVACY ZONE

Privacy zones can be placed within the scene to hide sensitive areas.

A maximum of 8 blocks can be set on the screen

Move the cursor to the position shown in Fig. 15.

Use ENTER to get into the submenu.

```
PRIVACY ZONE MENU
PRIVACY ZONE  OFF
BLOCK        1 SET CLR
BACK         CLEAR ALL
```

In the submenu, the user can select ON or OFF for the privacy zone and set up to 8 blocks at any position on the screen.

7.2.16 OPTION

WHITE BAL	ATW2
GAMMA	0.45
APERTURE	MID
EZOOM	<SET>
MIRROR	OFF
PRIVACY ZONE	<OFF>
OPTION	<SET>
REMOTE	<SET>
BACK EXIT	CANCEL DEFAULT

Fig. 16 OPTION

Select blemish compensation, back focus adjustment, alarm ON/OFF, alarm output, alarm delay, alarm text, chroma & camera text.

Move the cursor to the position shown in Fig. 16.

Use the LEFT/ RIGHT button to select BLEMISH compensation, BACKFOCUS adjust mode and alarm settings.

7.2.16.1 BLEMISH DET

OPTION MENU	
BLEMISH DET	<SET>
BACKFOCUS	<SET>
ALARM FUNC	OFF
ALARM OUT	NO
ALARM DELAY	60 sec
ALARM TEXT	<SET>
CHROMA	---*---
CAMERA TEXT	<SET>
BACK	CLEAR

Fig. 17 BLEMISH DET

Press ENTER to start the BLEMISH compensation session. Please ensure that the lens iris is fully closed. Otherwise this action will cause the camera to malfunction.

7.2.16.2 BACK FOCUS

Press ENTER to perform back focus adjust. This function will force the iris of the AI lens to open fully and set the shutter speed temporarily to AUTO for easy back focus adjustment.

7.2.16.3 ALARM FUNC

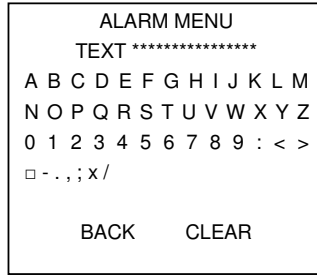


Fig. 18 Alarm menu

OFF	The alarm input function on the rear panel is disabled.
ON	The alarm input function on the rear panel is enabled. When an alarm occurs, the status of alarm output will change, i.e. from NO to NC or from NC to NO, depending on the setting of ALARM OUT.

Use the OSD navigation keys to define the optional alarm text to be displayed in case of an alarm.

7.2.16.4 ALARM OUT

This function sets the initial status of the ALARM output relay.

NO: normally open

NC: normally closed

7.2.16.5 ALARM DELAY

Use the LEFT/ RIGHT button to select 30, 60, 90, 120 seconds for the timing delay of ALARM operation.

7.2.16.6 ALARM TEXT

Use ENTER to access the submenu. When the alarm input is active, the text will be shown on the display.

7.2.16.7 CHROMA

Use the LEFT/ RIGHT button to select a value from 1 to 9.

7.2.16.8 CAMERA TEXT

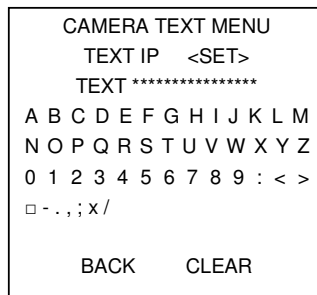


Fig. 19 CAMERA TEXT

Use ENTER to access the submenu. When you leave the OSD menu, the text will be shown on the display.

You can position the text anywhere on the screen.

7.2.17 REMOTE

WHITE BAL	ATW2
GAMMA	0.45
APERTURE	MID
EZOOM	<SET>
MIRROR	OFF
PRIVACY ZONE	<OFF>
OPTION	<SET>
REMOTE	<SET>
BACK EXIT	CANCEL DEFAULT

Fig. 20 REMOTE

This function is for setting the remote control menu

Move the cursor to the position shown in Fig. 20.

Use the ENTER button to enter the submenu.

REMOTE MENU	
MODEL	CCBS1337-LP
ADDRESS	001 ~ 099
BAUD RATE	2400
PROTOCOL	SIEMENS-U
SOFT VER.	X.2.2
PATTERN	OFF
SAVE	DEFAULT

7.2.17.1 MODEL

MODEL indicates the camera model.

7.2.17.2 ADDRESS

When multiple cameras are used via RS-485, for example, each camera must have its own specific address.

Use ADDRESS to set the camera address in a range of 1-255.

The camera address must be set correctly before installing the camera. Otherwise remote access may not be possible.

7.2.17.3 BAUD RATE

This function is used to set the camera's remote baud rate in the range from 2400 to 19200 bits per second.

7.2.17.4 PROTOCOL

Select one of the 3 various protocols, depending on the type of remote connectivity, for remote **OSD control camera setup**:

SIEMENS-B: When using the camera with **bi**-directional remote control under remote software and PC (remote software provides full parameter setup).

SIEMENS-U: When using the camera for **u**nidirectional communication with SIMATRIX via converter CAC0103 (V1.6).

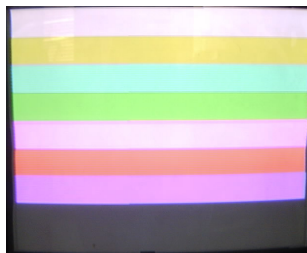
SIEMENS-S: When using the camera in unidirectional communication with SIMATRIX NEO based on the **SCU** protocol.

7.2.17.5 SOFT VER

SOFT VER. indicates the current firmware version on the camera and may vary.

7.2.17.6 PATTERN

When the PATTERN is set to ON, there will be a horizontal color bar picture (as shown below) on the display. The color bar is not standardized and might vary between camera types.



7.2.18 NEXT/ BACK

Navigates to the next or previous screen display.

7.2.19 EXIT

Saves all settings and exits.

7.2.20 CANCEL

Discards changes and leaves the settings as they were.

7.2.21 DEFAULT

This function restores the factory settings.

8 Index

A

APERTURE 19

B

BLC 17

C

Camera part definition 10

CANCEL 24

CCD Characteristics 7

Cleaning 7

Connector pin definition 11

D

D/N DELAY 14

D/N LEVEL 14

D/N MODE 13

DEFAULT 24

Dimensions 8

E

EU Directive 6

EXIT 24

EXPOSURE 15

F

Function setting 13

G

GAIN 16

GAMMA 19

M

MIRROR 20

N

NEXT/ BACK 24

O

Operation and storage 7

OPTION 21

Ordering Data 6

OSD setting 12

P

Package contents 6

PRIVACY ZONE 20

Product specification 8

R

REMOTE 23

S

Safety precaution 5

SHUTTER 16

SYNC 17

T

Transportation 7

W

WHITE BAL 18

Issued by
Siemens Building Technologies
Fire & Security Products GmbH & Co. oHG
D-76181 Karlsruhe

www.sbt.siemens.com/fsp

© 2005 Copyright by
Siemens Building Technologies AG
Data and design subject to change without notice.
Supply subject to availability.
Printed in the Federal Republic of Germany
on environment-friendly chlorine-free paper.

Document no. **A24205-A336-B476**
Edition 03.2005