

## Instruction Manual for Colour Fixed Dome Camera Instructiehandleiding Fixed focus kleuren domecamera Installationsanleitung Fixfokus-Dome-Farbkamera

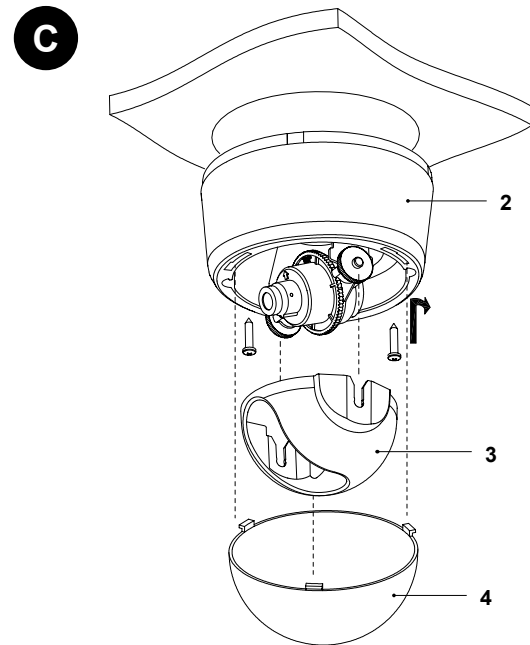
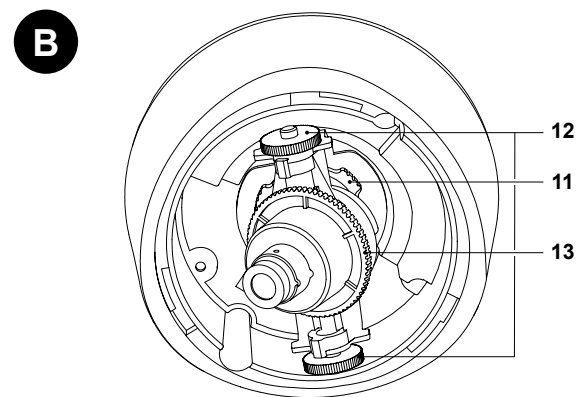
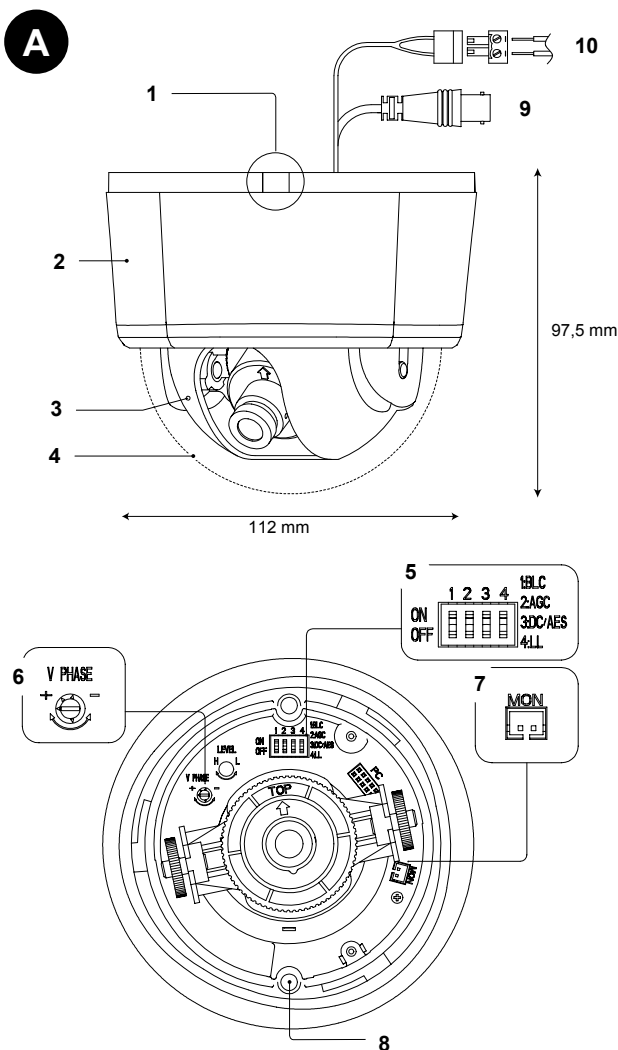
Model number	Part Code
Modelnummer	Art. code
Typen-Nummer	Art.-Nr
CFFC1310-LP	2GF1184-8AC
CFFC1315-LP	2GF1184-8AA

### Accessories / Accessoires / Zubehör

CFFA-TD	2GF1086-8AA	Tinted Lower Dome / NL: Getinte dome / De: Getönte Kuppel
CFFA-IC29	2GF1086-8AB	2.9 mm — Replacement Lens / NL: Vervangingslens / D: Ersatzlinse
CFFA-IC37	2GF1086-8AK	3.7 mm — Replacement Lens / NL: Vervangingslens / D: Ersatzlinse
CFFA-IC60	2GF1086-8AF	6.0 mm — Replacement Lens / NL: Vervangingslens / D: Ersatzlinse
CFFA-IC12	2GF1086-8AE	12.0 mm — Replacement Lens / NL: Vervangingslens / D: Ersatzlinse

Document / Document / Dokument  
 Edition / Editie / Ausgabe  
 Supersedes / Vervangt / Ersetzt

A24205-A336-R555  
 Rev A.1



### Warning

To avoid electrical shock, do not open the cabinet. Refer servicing to qualified personnel only. The CAUTION label shown above is attached to the dome. CAUTION: To reduce the risk of electric shock, do not remove cover (or back). No user-serviceable parts inside. Servicing should only be carried out by qualified service personnel.

Intended for indoor use only!

### Waarschuwing

Open de behuizing niet, want dan loopt u het risico op een elektrische schok. Laat alle reparaties door gekwalificeerde technici uitvoeren. De bovenstaande waarschuwingssticker is op de dome bevestigd. LET OP: Om het risico op elektrische schokken te verkleinen, dient u de kap (of achterzijde) niet te verwijderen. In het apparaat bevinden zich geen onderdelen die u zelf kunt repareren. Laat elke vorm van onderhoud over aan gekwalificeerde technici.

Alleen geschikt voor binnentoepassingen!

### Warnung

Zur Vermeidung von Elektroschocks darf das Gehäuse nicht geöffnet werden. Servicearbeiten dürfen nur von qualifiziertem Personal ausgeführt werden. Der Warnhinweis oben ist an der Kuppel angebracht. VORSICHT: Um die Gefahr eines Elektroschocks zu verringern, darf das Gehäuse (oder die Rückseite) nicht entfernt werden. Im Inneren befinden sich keine benutzerseitig zu wartenden Teile. Servicearbeiten dürfen nur von qualifiziertem Kundendienstpersonal ausgeführt werden.

Nur für den Einsatz im Innenbereich vorgesehen!

# English

## Package contents

- Dome camera
- 1 BNC connection cable
- 1 service monitor cable
- 2 fixing screws
- 2 wall plugs
- Fixing template
- Installation and operating instructions (this document)

## Dome camera parts

See figures A and B.

1. Cable entry holes
2. Unit casing
3. Inner liner
4. Dome casing
5. Mode setting DIP switches
6. V phase adjustment screw
7. Monitor output
8. Unit mounting holes
9. BNC connector
10. Power connector
11. Locking ring
12. Panning adjustment wheel
13. Axial ring

## Installing the camera

### Step 1: Connecting the cables

1. Connect the BNC cable to the BNC connector (9).
2. Connect the power supply cable to the power connector (10).  
Use a 24 V AC or 12 V DC power supply.

#### Caution

*If using a DC supply, make sure the polarity is correct. Incorrect connection may cause malfunction and/or damage to the video camera.*

3. Guide the cables through the cable entry holes (1).

### Step 2: Mounting the camera

1. Place the template on the mounting surface and mark the holes.
2. Drill two holes as marked.
3. Insert the wall plugs into the holes.
4. Fasten the unit with the screws provided.

### Step 3: Adjusting the camera position

1. Hold the lens so that it does not rotate.
2. Loosen the locking ring (11) and panning adjustment wheel (12).

#### Caution

*Do not loosen the locking ring without holding the lens in place; otherwise, the lens may rotate with the locking ring and the cable may twist.*

3. Turn the axial ring (13) in the desired direction.

#### Note

*If the camera does not rotate smoothly, loosen the locking ring completely. The locking ring has an internal stop and will not come off.*

#### Caution

*Do not turn the lens more than 360° as this may cause internal cables to disconnect or break.*

4. Using the axial ring, carefully adjust the image to the desired angle of view.
5. Lightly tighten the locking ring (11) and panning adjustment wheel (12)
6. Hold the lens and fully retighten the locking ring (11) and panning adjustment wheel (12).

## Optional settings

- Adjust the phase difference between cameras (use V Phase adjustment screw (6)).
- Set the DIP switches (5) to activate or deactivate the following features:
  - Backlight compensation (BLC)
  - Automatic gain control (AGC).  
Automatically adjusts the picture to suit ambient brightness
  - Automatic electronic shutter (DC/AES).  
Automatically adjusts the picture to suit the brightness of the subject.

#### Caution

*Do not turn the DC/AES Mode switch to on otherwise the electronic shutter speed will be permanently set to 1/60(EIA) or 1/50(CCIR).*

- Line Lock (LL).  
Set camera synchronisation to internal (OFF) or line lock (ON). Line lock is only available with a 24 V AC supply.

### Step 4: Attaching the dome to the unit

See figure C.

#### Note

*Use a soft lint-free cloth to wipe the dome cover clean and remove fingerprints.*

1. Clean the joint surfaces of the unit.
2. Place the inner liner on the unit.
3. Place the dome on the unit.
4. Turn the dome clockwise and lock the cover in place.

## General guidelines

### Operation and storage

- Avoid facing the camera directly toward very bright objects (such as light fittings) for an extended period.
- Do not operate or store the unit in the following locations:
  - Extremely hot or cold places.
  - Close to sources of strong magnetism.
  - Close to sources of powerful electromagnetic radiation, such as radios or TV transmitters.
  - In humid or excessively dusty places.
  - Where exposed to mechanical vibration.
  - Close to fluorescent lamps or objects that reflect light.
  - Under unstable or flickering light sources.

### Cleaning

- Use a soft, dry cloth to remove fingerprints or dust from the dome.
- If the dome is very dirty, use a small amount of mild detergent on a damp cloth for cleaning. Ensure the dome is dry before attaching the dome to the unit.

#### Caution

*Do not use volatile solvents such as alcohol, benzene or thinners. These solvents may damage the surface.*

### Transportation

Use the original packing material or materials of equal quality.

### CCD characteristics

The following conditions may be observed when using a CCD camera. These are inherent to the design and do not stem from any fault within the camera itself.

- Vertical smear: This phenomenon occurs when viewing a very bright object.
- Patterned noise: This is a fixed pattern which may appear over the entire monitor screen when the camera is operated at a high temperature.
- Jagged picture: When viewing stripes, straight lines, or similar patterns, the image on the screen may appear jagged.

## Specifications

### General

Power requirement.....	12 V DC or 24 V AC (Min. 5 W)
Power consumption ....	3.5 W (max.)
Operating temperature...	-10 to +50°C, 90% RH max.
Storage temperature ....	-20 to +60°C, 70% RH max.
External dimensions....	112 x 97.5 mm
Weight.....	Approx. 0.29 kg
Unit material.....	ABS (30%) and polycarbonate (70%)
Dome material.....	Polycarbonate

### Imaging system

Imaging device.....	Interline transfer 1/3 inch CCD
Effective picture elements	CFFC1310-LP (Std. Res.) PAL: 500(H) * 582(V) CFFC1315-LP (High Res.) PAL: 752(H) * 582(V)
TV system.....	PAL: 2:1 Interlace, 15.750 kHz horizontal, 50 Hz vertical

### Optical system and other specifications

Focal length .....	f=3.7 mm
Maximum relative aperture	F2.0
Synchronisation system	Internal or Line lock (24 V AC only)
Horizontal resolution ...	480 TV lines — High Resolution model 330 TV lines — Std Resolution model
Minimum illumination ..	0.56 lx — High Resolution model 0.31 lx — Std Resolution model (AGC ON, more than 50% of image output r = 0.45, without dome cover)
Video output.....	1.0 Vp-p 75 Ohm
Video S/N ratio.....	More than 50 dB (AGC OFF, Weighted)
White balance .....	Automatic (2500°K - 10000°K)
AGC .....	ON/OFF switchable
BLC.....	ON (Center measured) / OFF switchable

## Information

This equipment has been tested and found to comply with the limits for a Class A digital device, pursuant to Part 15 of the FCC Rules. These limits are designed to provide reasonable protection against harmful interference when the equipment is operated in a commercial environment.

This equipment generates, uses, and can radiate radio frequency energy and, if not installed and used in accordance with the instruction manual, may cause harmful interference to radio communications. Operation of this equipment in a residential area may cause harmful interference in which case the user will be required to correct the interference at his own expense.

## Instruction Manual for Monochrome Fixed Dome Camera Instructiehandleiding Monochroom fixed focus domecamera Installationsanleitung SW Fixfokus-Dome-Kamera

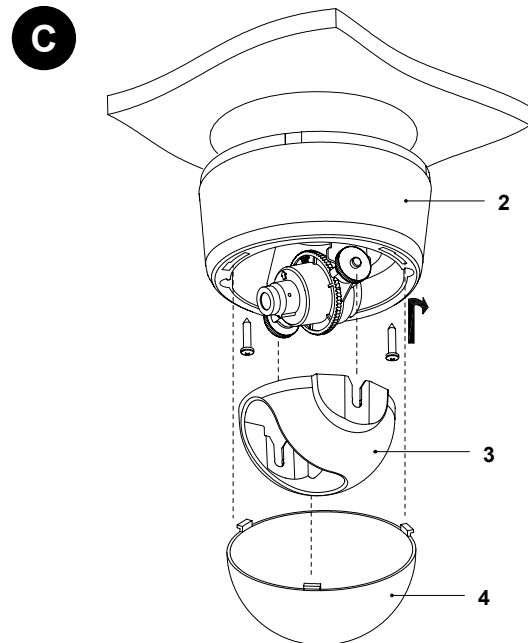
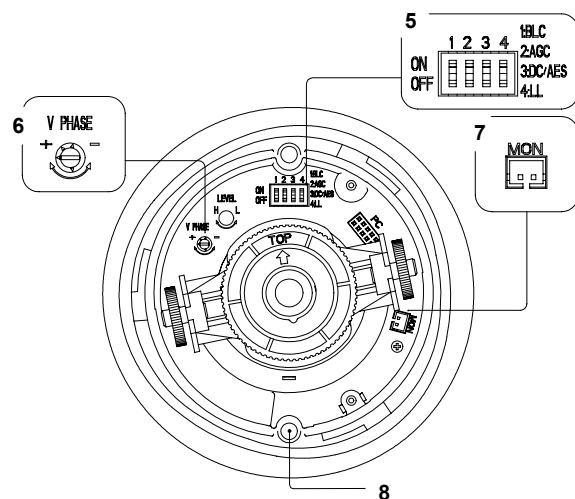
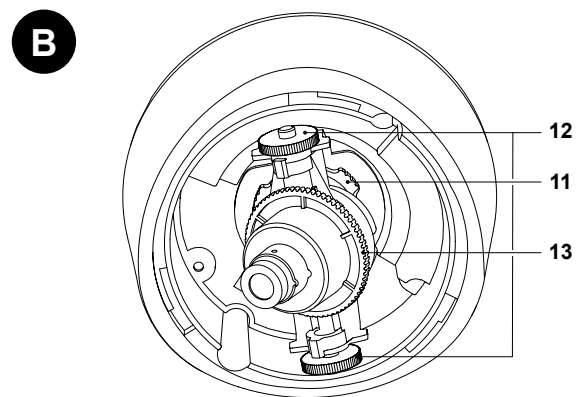
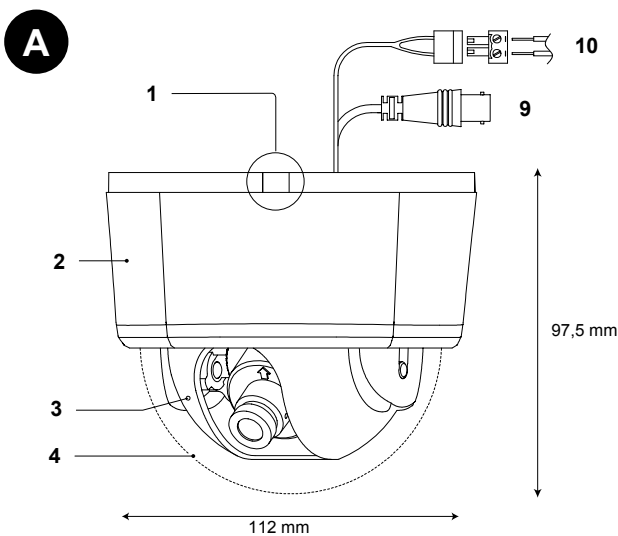
Model number	Part Code
Modelnummer	Art. code
Typen-Nummer	Art.-Nr
CFFB1310-LC	2GF1084-8AC
CFFB1315-LC	2GF1084-8AA

### Accessories / Accessoires / Zubehör

CFFA-TD	2GF1086-8AA	Tinted Lower Dome / NL: Getinte dome / De: Getönte Kuppel
CFFA-IC29	2GF1086-8AB	2.9 mm — Replacement Lens / NL: Vervangingslens / D: Ersatzlinse
CFFA-IC37	2GF1086-8AK	3.7 mm — Replacement Lens / NL: Vervangingslens / D: Ersatzlinse
CFFA-IC60	2GF1086-8AF	6.0 mm — Replacement Lens / NL: Vervangingslens / D: Ersatzlinse
CFFA-IC12	2GF1086-8AE	12.0 mm — Replacement Lens / NL: Vervangingslens / D: Ersatzlinse

Document / Document / Dokument  
 Edition / Editie / Ausgabe  
 Supersedes / Vervangt / Ersetzt

A24205-A336-R558  
 Rev A.1



### Warning

To avoid electrical shock, do not open the cabinet. Refer servicing to qualified personnel only. The CAUTION label shown above is attached to the dome. CAUTION: To reduce the risk of electric shock, do not remove cover (or back). No user-serviceable parts inside. Servicing should only be carried out by qualified service personnel.

Intended for indoor use only!

### Waarschuwing

Open de behuizing niet, want dan loopt u het risico op een elektrische schok. Laat alle reparaties door gekwalificeerde technici uitvoeren. De bovenstaande waarschuwingssticker is op de dome bevestigd. LET OP: Om het risico op elektrische schokken te verkleinen, dient u de kap (of achterzijde) niet te verwijderen. In het apparaat bevinden zich geen onderdelen die u zelf kunt repareren. Laat elke vorm van onderhoud over aan gekwalificeerde technici.

Alleen geschikt voor binnentoepassingen!

### Warnung

Zur Vermeidung von Elektroschocks darf das Gehäuse nicht geöffnet werden. Servicearbeiten dürfen nur von qualifiziertem Personal ausgeführt werden. Der Warnhinweis oben ist an der Kuppel angebracht. VORSICHT: Um die Gefahr eines Elektroschocks zu verringern, darf das Gehäuse (oder die Rückseite) nicht entfernt werden. Im Inneren befinden sich keine benutzerseitig zu wartenden Teile. Servicearbeiten dürfen nur von qualifiziertem Kundendienstpersonal ausgeführt werden.

Nur für den Einsatz im Innenbereich vorgesehen!

# English

## Package contents

- Dome camera
- 1 BNC connection cable
- 1 service monitor cable
- 2 fixing screws
- 2 wall plugs
- Fixing template
- Installation and operating instructions (this document)

## Dome camera parts

See figures A and B.

1. Cable entry holes
2. Unit casing
3. Inner liner
4. Dome casing
5. Mode setting DIP switches
6. V phase adjustment screw
7. Monitor output
8. Unit mounting holes
9. BNC connector
10. Power connector
11. Locking ring
12. Panning adjustment wheel
13. Axial ring

## Installing the camera

### Step 1: Connecting the cables

1. Connect the BNC cable to the BNC connector (9).
2. Connect the power supply cable to the power connector (10).  
Use a 24 V AC or 12 V DC power supply.

#### Caution

*If using a DC supply, make sure the polarity is correct. Incorrect connection may cause malfunction and/or damage to the video camera.*

3. Guide the cables through the cable entry holes (1).

### Step 2: Mounting the camera

1. Place the template on the mounting surface and mark the holes.
2. Drill two holes as marked.
3. Insert the wall plugs into the holes.
4. Fasten the unit with the screws provided.

### Step 3: Adjusting the camera position

1. Hold the lens so that it does not rotate.
2. Loosen the locking ring (11) and panning adjustment wheel (12).

#### Caution

*Do not loosen the locking ring without holding the lens in place; otherwise, the lens may rotate with the locking ring and the cable may twist.*

3. Turn the axial ring (13) in the desired direction.

#### Note

*If the camera does not rotate smoothly, loosen the locking ring completely. The locking ring has an internal stop and will not come off.*

#### Caution

*Do not turn the lens more than 360° as this may cause internal cables to disconnect or break.*

4. Using the axial ring, carefully adjust the image to the desired angle of view.
5. Lightly tighten the locking ring (11) and panning adjustment wheel (12)
6. Hold the lens and fully retighten the locking ring (11) and panning adjustment wheel (12).

## Optional settings

- Adjust the phase difference between cameras (use V Phase adjustment screw (6)).
- Set the DIP switches (5) to activate or deactivate the following features:
  - Backlight compensation (BLC)
  - Automatic gain control (AGC).  
Automatically adjusts the picture to suit ambient brightness
  - Automatic electronic shutter (DC/AES).  
Automatically adjusts the picture to suit the brightness of the subject.

#### Caution

*Do not turn the DC/AES Mode switch to on otherwise the electronic shutter speed will be permanently set to 1/60(EIA) or 1/50(CCIR).*

- Line Lock (LL).  
Set camera synchronisation to internal (OFF) or line lock (ON). Line lock is only available with a 24 V AC supply.

### Step 4: Attaching the dome to the unit

See figure C.

#### Note

*Use a soft lint-free cloth to wipe the dome cover clean and remove fingerprints.*

1. Clean the joint surfaces of the unit.
2. Place the inner liner on the unit.
3. Place the dome on the unit.
4. Turn the dome clockwise and lock the cover in place.

## General guidelines

### Operation and storage

- Avoid facing the camera directly toward very bright objects (such as light fittings) for an extended period.
- Do not operate or store the unit in the following locations:
  - Extremely hot or cold places.
  - Close to sources of strong magnetism.
  - Close to sources of powerful electromagnetic radiation, such as radios or TV transmitters.
  - In humid or excessively dusty places.
  - Where exposed to mechanical vibration.
  - Close to fluorescent lamps or objects that reflect light.
  - Under unstable or flickering light sources.

### Cleaning

- Use a soft, dry cloth to remove fingerprints or dust from the dome.
- If the dome is very dirty, use a small amount of mild detergent on a damp cloth for cleaning. Ensure the dome is dry before attaching the dome to the unit.

#### Caution

*Do not use volatile solvents such as alcohol, benzene or thinners. These solvents may damage the surface.*

### Transportation

Use the original packing material or materials of equal quality.

### CCD characteristics

The following conditions may be observed when using a CCD camera. These are inherent to the design and do not stem from any fault within the camera itself.

- Vertical smear: This phenomenon occurs when viewing a very bright object.
- Patterned noise: This is a fixed pattern which may appear over the entire monitor screen when the camera is operated at a high temperature.
- Jagged picture: When viewing stripes, straight lines, or similar patterns, the image on the screen may appear jagged.

## Specifications

### General

Power requirement.....	12 V DC or 24 V AC (Min. 5 W)
Power consumption ....	3 W (max.)
Operating temperature...	-10 to +50°C, 90% RH max.
Storage temperature ....	-20 to +60°C, 70% RH max.
External dimensions....	112 x 97.5 mm
Weight.....	Approx. 0.29 kg
Unit material.....	ABS (30%) and polycarbonate (70%)
Dome material.....	Polycarbonate

### Imaging system

Imaging device.....	Interline transfer 1/3 inch CCD
Effective picture elements	CFFB1310-LC (Std. Res.) CCIR: 500(H) * 582(V) CFFB1315-LC (High Res.) CCIR: 752(H) * 582(V)
TV system .....	CCIR: 2:1 Interlace, 15.625 kHz horizontal, 50 Hz vertical

### Optical system and other specifications

Focal length .....	f=3.7 mm
Maximum relative aperture	F2.0
Synchronisation system	Internal or Line lock (24 V AC only)
Horizontal resolution ...	580 TV lines — High Resolution model 400 TV lines — Std Resolution model
Minimum illumination ..	0.2 lx — High Resolution model 0.13 lx — Std Resolution model (AGC ON, more than 50% of image output r = 0.45, without dome cover)
Video output.....	1.0 Vp-p 75 Ohm
Video S/N ratio.....	More than 50 dB (AGC OFF, Weighted)
AGC .....	ON/OFF switchable
BLC .....	ON (Center measured) / OFF switchable

## Information

This equipment has been tested and found to comply with the limits for a Class A digital device, pursuant to Part 15 of the FCC Rules. These limits are designed to provide reasonable protection against harmful interference when the equipment is operated in a commercial environment.

This equipment generates, uses, and can radiate radio frequency energy and, if not installed and used in accordance with the instruction manual, may cause harmful interference to radio communications. Operation of this equipment in a residential area may cause harmful interference in which case the user will be required to correct the interference at his own expense.