



## High-Resolution, Auto-focus, Colour Dome Camera with 22x Optical Zoom, in Vandal-Resistant Housing CVAS1415-LPO

Autofocus  
Day/Night  
Camera

- 
- Auto-focus camera / lens / vandal resistant housing
  - High-resolution day/night dome camera 480/530 TVL
  - Sensitivity: colour = 0.5 Lux at F1.6 (AGC on, 50 IRE) / B/W = 0.001 lux
  - Digital Noise Reduction (DNR)
  - Automatic Exposure (AE)
  - Wide Dynamic Range (WDR)
  - Automatic White Balance (AWB)
  - Automatic Gain Control (AGC)
  - Programmable Back Light Compensation (BLC)
  - Support camera control available RS-485
  - OSD screen menu
  - PIP (Picture In Picture)
  - Dual power operation 24 V AC/12 V DC

The CVAS1415-LPO is a high-resolution (480/530 TVL) day/night camera with built-in autofocus zoom lens with max. 242x zoom. The camera is designed for outdoor use under variable lighting conditions. It is built into a compact and attractively styled vandal resistant dome housing. As a result of the day/night function, the camera offers optimum picture quality both under varying daylight conditions and also when used at night with IR light.

All the camera settings such as white balance, exposure settings, setting of back light compensation (BLC), Line-Lock synchronisation or digital noise reduction are done via the OSD menu. Each camera can have an individual camera text assigned to it. It is possible to specify via the display menu which text and which detailed information for the setting of the camera is to be displayed in the video image.

The camera offers the option to be switched from day to night operation by means of an external switch. The status of the camera can be superimposed in the video image.

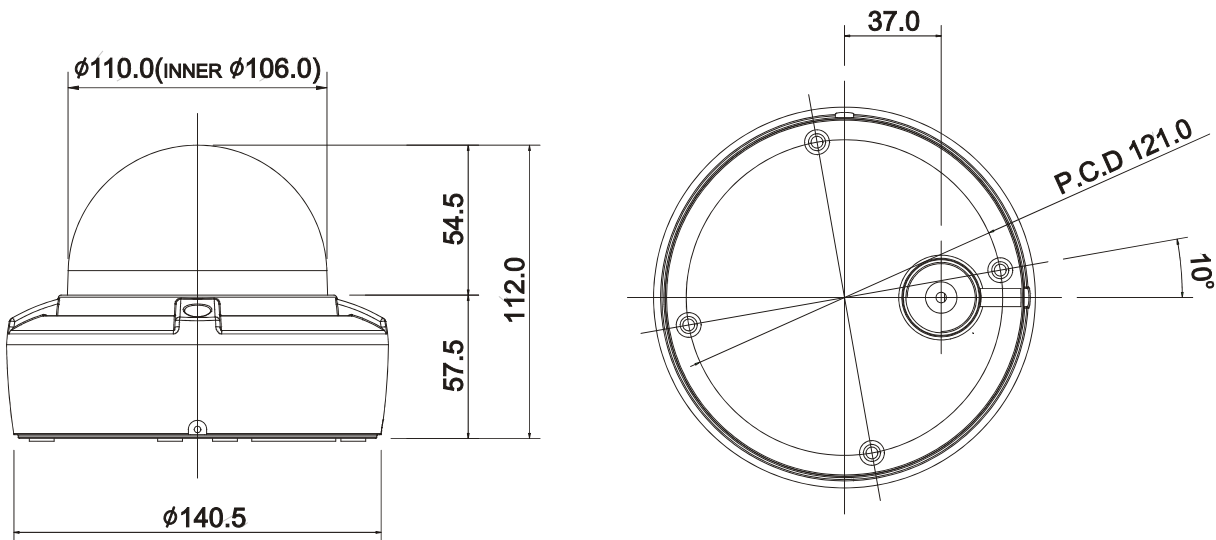
A small live image can be superimposed by means of the PIP function. In this way it is thus possible to freeze an image sequence with the freeze function while the live image continues to be displayed in the PIP window.

The camera can be controlled and parameterised with the Siemens SCU protocol, the Bewator-Molynx protocol, or the Pelco protocol via the built-in RS485 interface.

In addition, the camera is equipped with a keypad that allows all functions to be controlled directly via the OSD menu.

## Dimensions

---



(Unit: mm)

## Technical data

<b>Model</b>	<b>CVAS1415-LPO</b>
Power supply	12 V DC/24 V AC
Power consumption	6.0 W
Image sensor	1/4" SONY Super HAD CCD
Total pixels	795 (H) x 596 (V)
Scanning system	2:1 interlace
Scanning frequency	15.625 KHz (H), 50 Hz (V)
Sync. system	Internal: cristal /external: Line Lock
Resolution	480 TV lines (colour), 530 TV lines (B/W)
Min. illumination	0.5 lux (colour) @ F=1.6 (AGC on, 50 IRE video output), 0.05 lux (B/W), 0.001 lux (slow shutter)
Video output	1.0 Vpp (75 Ohm, composite)
S/N ratio	> 50 dB (AGC off)
Camera control	RS-232 – Siemens B (parameter setting) RS-485 – Siemens B, S; Molynx; Pelco D, P
Focus mode	Auto/Manual/Push AF
White balance	AWB/Indoor/Outdoor/Manual/WAWB
Auto exposure	Auto/Iris PRI/Shutter PRI/AGC/Manual
Iris control	Auto/Manual (F1.6 – F32)
AGC	On/Off (max. 30 dB)
Shutter speed	Normal – 1/10,000
BLC	Off/BLC1/BLC2/BLC3/BLC4/BLC5/BLC6/Level
Title	A – Z / 0 – 9
Display	On/Off/Push On (DISP0/DISP1/DISP2)
CAM ID	001 – 255
BPS	2400/4800/9600/19200
Brightness	0 – 90 steps
Sharpness	0 – 15 steps
Distance	0.1 M/1.0 M/1.5 M/2.5 M/6.0 M
Slow shutter	x2 – x60
Effect	D-Zoom, Nega/Posi, B/W, Mirror, PIP, Freeze, D/N Mode, D/N Level, D/N Delay
User Set	INIT/LOAD/SAVE
DNR	On/Off
SHOT	Normal/DIS/WDR/Slow-shutter
Zoom ratio	Optical zoom x22, digital zoom x11 (video AF)
Focus length	f = 3.8 – 85.8 mm
Aperture ratio	F1.6 (wide) – F3.7 (tele)
Power input	3-pin terminal block
Video output	BNC connector
Operating temperature	-10 to +50 °C
Switch on temperature	Min. -10 °C
Relative humidity	0 – 96% (non-condensing)
Storage temperature	-20 to +60 °C
Weight	1100 g
Protection type	IP66

**Details for ordering**

---

Type	Order No.	Designation	Weight
CVAS1415-LPO	2GF1182-8AN	1/4" Hi-Res D/N CCD Dome Camera PAL 480 TVL, Autofocus, 12 V DC / 24 V AC, 6.0 W, 50 Hz	1100 g

---