



## IMKW6-10, IMKW6-20

### Wireless door/ window contact

for Sintony 60 (IC60) SiWay Protocol

- 
- **Very small dimension**
  - **Low power design – battery will last up to 4 Years**
  - **Unique ID code with signal transmission for secure identification**
  - **Low battery condition signal transmission**
  - **Range up to 300m at free space**
  - **External contacts connectable through wired input**

**Versatile in application.** The ergonomic and discrete design, which fits to every environment, as well as the additional wired input for external contacts, proves the detector to be ideal for the design sensitive residential sector.

**Fast and easy to install.** The small dimensions allow easy installation even in space sensitive areas around entrance doors and Windows.

**Universal use.** Through the external wired input all sorts of devices could be integrated into the Security System. If this will be alarm signals as from your heating system, fridge temperature control, Oil tank low, water flood, gas detector etc. This open contact allows you to include already existing devices with almost no additional work in the monitoring function of your Security System.

## Coverage area and dimensions

### INSTALLATION

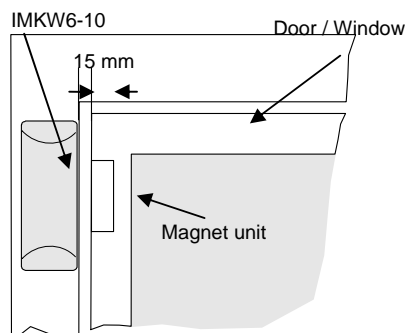


FIG. 2 - KNOCKOUT HOLES

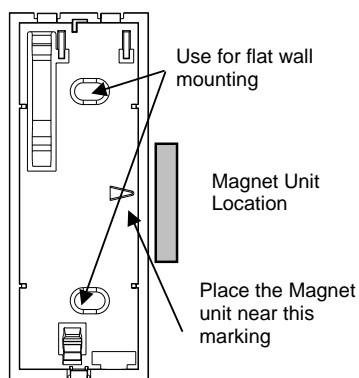
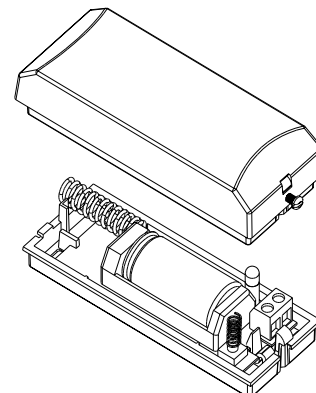


FIG. 1 - REMOVAL OF FRONT COVER



Dimensions: 87mmx35mmx24mm

### Technical data

Wireless module – Range / Frequency	up to 300 m at open space/ 868MHz, 915MHz
Lithium battery (1 x 3.6V) – Life time	approx. 4 years
Identification	Unique ID serial number-24 bit
Event Transmission	Alarm, Tamper, Supervision, Low Bat (30 Days in advance)
Data Protocol	SiWay- Sintony 60
Tamper switch	on front cover removal Back tamper option
Power Savings	Automatic Power Saver
Environmental conditions	
– Operation temperature	-10 ... +50 °C
– Storage temperature	-20 ... +60 °C
– Humidity (EN60721)	<95 % r.h., non-condensing
– Housing protection EN60529, EN50102	IP41 / IK02
EMI rejection up to 1 GHz	> 10 V/m
Battery	Lithium 3,6V Size: 1/2AA
Complies with: EN 50130-4, EN301489, EN300220, EN50081, EN60950 (ITE), EMC 89/336EEC, SAFETY 73/23/EEC	

### Ordering data

Type	Art. no	Designation	Weight
IMKW6-10	A5Q00013961	Passive infrared detector incl. battery 868 MHz incl. mount bracket socket	0.040 kg
IMKW6-20	A5Q00013962	Passive infrared detector incl. battery 915 MHz (US) incl. mount bracket socket	0.040 kg
		Lithium 3,6V Type: XL-050F Size: 1/2AA	0.020 kg

Siemens Switzerland Ltd  
International Headquarters  
Gubelstrasse 22  
CH – 6301 Zug  
Tel. +41 41 724 24 24  
Fax +41 41 724 35 22  
www.sbt.siemens.com

© 2006 Copyright by  
Siemens Building Technologies AG  
Data and design subject to change without notice. Supply subject to  
availability.