



IR60W6-10, IR60W6-20

Wireless passive infrared detector

for Sintony 60 (IC60) SiWay Protocol

- 12 m wide-angle Fresnel lens
- Low Power design – battery will last up to 4 Years
- Pet immunity up to 12 kg
- Unique ID code with signal transmission for secure identification
- Low battery condition signal transmission
- Range up to 300 m at free space
- Sealed Sensor chamber with temperature compensation
- Choice of two sensitivity settings

Versatile in application. The ergonomic and discrete design, which fits to every environment, good pet immunity as well as progressive signal evaluation, proofs the detector to be ideal for the design sensitive residential sector.

Fast and easy installation. The functional mounting plate enables wall, 45° and corner mounting without accessories.

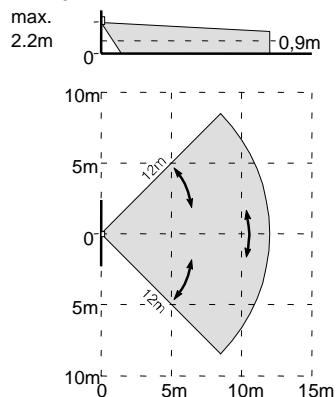
Outstanding immunity. The detector offers reliable catch performance with good immunity to environmental influences.

Safe detection. Thanks to the specially developed Fresnel lens high detection security is ensured. The signal evaluation guarantees good detection integrity by reliably differentiating between intruders and disturbance signals.

Coverage range and dimensions

Wide angle lens (standard)

h = 2.0m

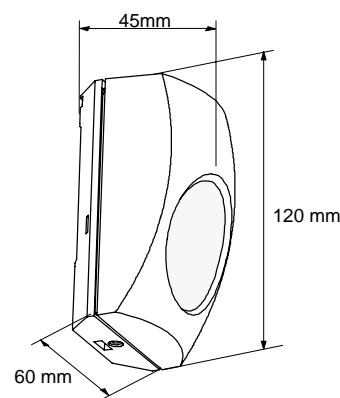
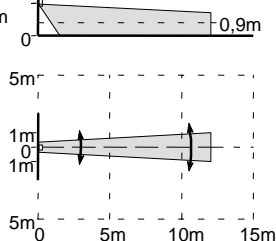


Curtain mask (covering foil)

h = 2,0m

max. 2.2m

min. 1.8m



Technical data

Coverage area – Wide angle	12 m
Wireless module – Range / Frequency	up to 300 m at open space/ 868MHz, 915MHz
Lithium battery (1 x 3.6V) – Life time	approx. 4 years
Identification	Unique ID serial number-24 bit
Event Transmission	Alarm, Tamper, Test, Supervision, Low Bat (30 Days in advance)
Data Protocol	SiWay- Sintony 60
Test mode / activation	Walk test & Alarm transmission test by tamper contact
Power Savings	Automatic Power Saver
Pet immunity	< 12 kg
EMI rejection up to 1 GHz	> 10 V/m
Battery	Lithium 3V Type: xx123 Size: 2/3AA
Environmental conditions	
– Operation temperature	-10 ... +50°C
– Storage temperature	-20 ... +60°C
– Humidity (EN60721)	< 85 % r.h., non condensing
– Housing protection EN60529, EN50102	IP41 / IK02
Complies with: EN 50130-4, EN301489, EN300220, EN50081, EN60950 (ITE), EMC 89/336EEC, SAFETY 73/23/EEC	

Ordering data

Type	Part no	Designation	Weight
IR60W6-10	A5Q00013959	Passive infrared detector incl. Battery 868 MHz	0.120 kg
IR60W6-20	A5Q00013960	Passive infrared detector incl. Battery 915 MHz (US)	0.120 kg
		Lithium 3V Type: xx123 Size: 2/3AA	0.020 kg
IRUM6	A5Q00013951	Universal mount bracket kit for IR60	0.020 kg

Siemens Switzerland Ltd
International Headquarters
Gubelstrasse 22
CH – 6301 Zug
Tel. +41 41 724 24 24
Fax +41 41 724 35 22
www.sbt.siemens.com

© 2006 Copyright by
Siemens Building Technologies AG
Data and design subject to change without notice. Supply subject to availability.