



IR120UL

Swisstec

Passive infrared detector

with pet immunity

- 12 m wide-angle detection with look down zone or 20 m continuous curtain option
- Pet immunity up to 25 kg
- Real temperature compensation
- Digital AMASIC signal evaluation
- Good white light filter through triplex mirror optics
- Choice of four application settings

Versatile in application. A discrete ergonomic design that fits to every environment, good pet immunity and advanced signal processing make IR120UL ideal for residential and small commercial applications.

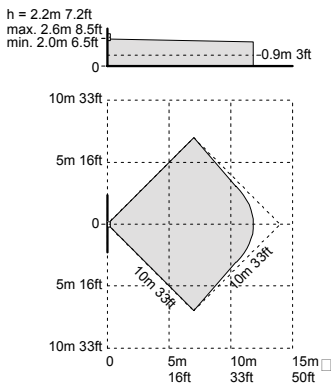
Safe and easy installation. The versatile housing base is designed for direct wall, 45° and corner mounting without additional accessories.

Outstanding immunity. IR120UL offers uncompromised catch performance paired with high immunity to environmental influences.

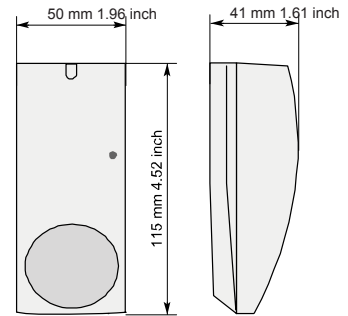
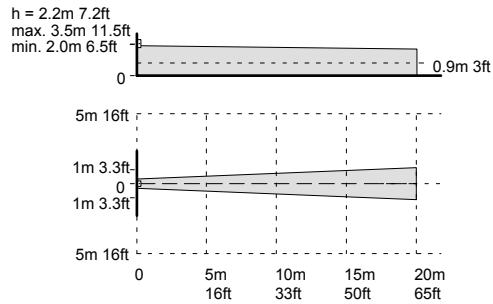
Safe detection. The 52 zone triplex mirror optics guarantee high detection integrity and the multi-criteria signal analysis system differentiates intelligently and reliably between intruders and disturbance signals.

Coverage areas and dimensions

Wide angle mirror (standard)



Curtain mirror IRS122 (option)



Technical data

Supply voltage (12 V nom.)	8.0 ... 16.0 VDC
– Max. ripple (0 ... 100 Hz)	2.0 VPP
– Voltage monitoring	Alarm at < 6.0 ... 8.0 V
Current consumption (at 8.0 ... 16.0 VDC)	
– Quiescent / when alarm occurs (with LED)	6 mA / 10 mA
Alarm output, relay contact	30 VDC / 100 mA / Ri 33 Ω
Alarm holding time	2 ... 3 s
Tamper contact	30 VDC / 50 mA
Control inputs (walktest)	LOW ≤ 1.5 V / HIGH ≥ 3.5 V
Walking speeds	
– Wide angle mirror / Curtain mirror, IRS122	0.2 ... 3.0 m/s / 0.2 ... 4.0 m/s
Pet immunity	< 12 kg
– with pet clip IRMC104	25 kg
Operating temperature	- 20 ... + 55 °C
Storage temperature	- 20 ... + 60 °C
Humidity (EN60721)	< 95 % r.h. non-condensing
EMI rejection up to 2 GHz	> 30 V/m
Housing protection (EN60529, EN50102)	IP41 / IK02

Ordering data

Type	Art. No.	Designation	Weight
IR120UL	A5Q00003264	Passive infrared detector	0.100 kg
IRS122	562302	Curtain mirror (set of 4 pcs)	0.042 kg
IRMC104	562315	Pet clip (set of 4 pcs)	0.005 kg
IRUM20	562247	Wall-mounting bracket	0.032 kg
IRUM30	562250	Ceiling-mounting bracket	0.073 kg
-	503251	Adhesive tamper seal (1 pc.)	-

Siemens Building Technologies AG
Alte Landstr. 411
CH-8708 Männedorf
Tel. +41 1 - 922 6111
Fax +41 1 - 922 6450
www.sbt.siemens.com

© 2004 Copyright by
Siemens Building Technologies AG
Data and design subject to change without notice. Supply subject to
availability.