



IR261

Passive infrared detector

for ceiling mounting

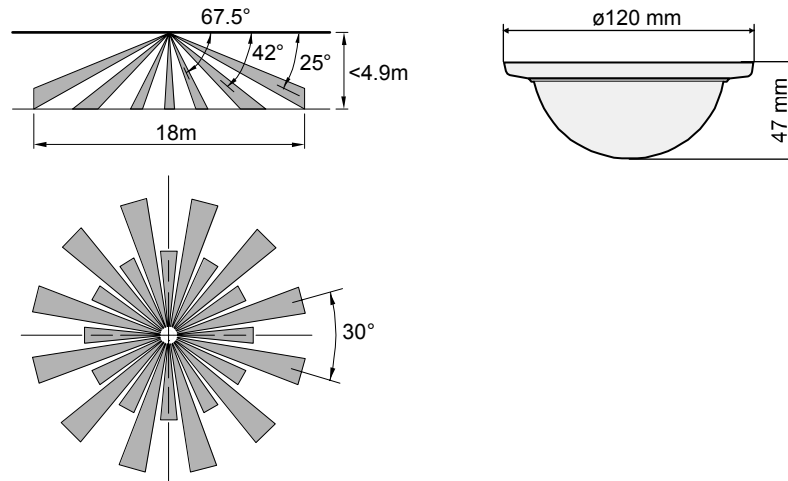
- **Room surveillance with a detection field of 360°**
- **Protection against overvoltage pulses on supply and signal lines**
- **Perfect protection against insects and draughts**
- **High immunity to electric and electromagnetic interference**
- **Ease and fast installation and high-speed commissioning**

Ideal for covering large size rooms. Fast installation, appealing design and reliability of detection in combination with 360° monitoring zones make the IR261 the ideal detector for monitoring large size rooms such as open-plan offices and shop areas with flexible fittings, and also corridor crossings and warehouses.

Save and easy installation. The split detector housing serves to facilitate mounting: the detector base is mounted to a stable surface and is connected via the terminals, then the detector top section with optics and electronics is fitted onto the detector base and pushed until release lever will click. The entire detector can be rotated ± 25 degrees via the detector base. In the detector base, adequate space for wire loops has been provided.

Reliable detection. Fresnel optics with a pyrosensor and 33 curtain-like detection zones provide a reliable detection.

Coverage area and dimensions



Technical data

Supply voltage (nom. 12 V)	10.5 ... 18 VDC
- Max. ripple (0 ... 100 Hz)	2 V _{PP}
Current consumption (at 12 V)	
- Quiescent	< 25 mA
- Maximum when alarm occurs (with LED)	< 35 mA
Alarm output (electronic relay)	
- Contact rating	max. 30 VDC / 250 mA
- Serial resistance	3.3 Ω
- Alarm hold time	~ 2 s
Sensitivity	4 levels
Ambient conditions	
- Operating temperature	-15 ... +55 °C
- Storage temperature	-15 ... +55 °C
- Humidity (EN60721)	≤ 95% r.h., non-condensing
- Housing protection (EN60529)	IP41
- EMI rejection (< 1 GHz)	10 V/m

Details for ordering

Type	Part no.	Designation	Weight
IR261	566777	Passive infrared detector for ceiling	0.130 kg