



## IR270MD

Visatec II

### Passive infrared detector

---

- 18 m wide angle with look down zone or 30 m continuous curtain (optional)
- Fully digital Visatec II signal evaluation
- Choice of four application settings for adapting to ambient conditions
- True temperature compensation
- Three-stage white light filter with triplex black mirror optics

**Versatile application.** A unique combination of maximum detection reliability and immunity to false alarms make the IR270MD ideally suited for use in a wide range of applications, including commercial and industrial premises and public buildings.

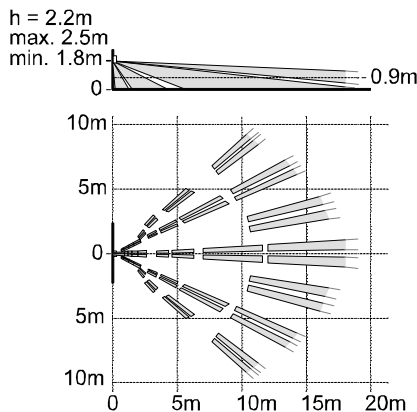
**Safe and easy installation.** The versatile housing allows wall and corner installation without accessories and provides plenty of space for wiring.

**Outstanding immunity.** A comprehensive protection concept makes the detector insensitive to environmental problems.

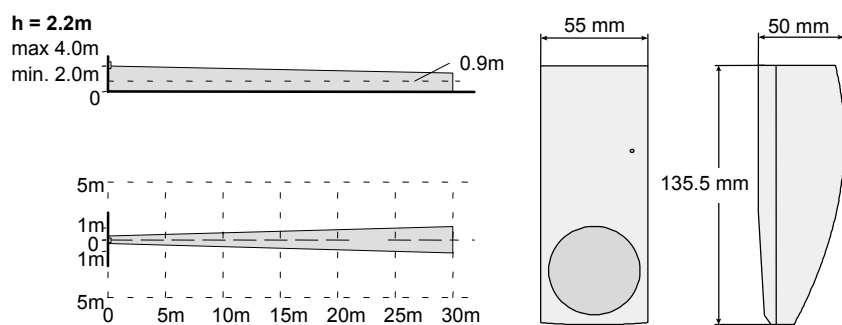
**Safe detection.** The patented triplex black mirror optics guarantee a high level of detection reliability, thanks to a look down zone for crawl detection, and uniform sensitivity in the 'chessboard' zone pattern. The multi-criteria signal analysis system differentiates intelligently and reliably between intruders and disturbance signals.

## Coverage area and dimensions

Wide angle mirror (standard)



Curtain mirror (option)



## Technical data

Supply voltage (12 V nom.)	8.0 ... 16.0 V <sub>DC</sub>
- Max. ripple (0 ... 100 Hz)	2.0 V <sub>PP</sub>
- Voltage monitoring	Alarm at < 5.5 ... 7.5 V
Current consumption (at 8 ... 16 V <sub>DC</sub> )	
- Quiescent / when alarm occurs (with LED)	2.8 mA / <10 mA
Alarm output, semiconductor relay	30 V <sub>DC</sub> / 100 mA / R <sub>i</sub> <45 Ohm
Alarm holding time	2 ... 3 s
Walktest indicator	LED
Tamper contact	30 V <sub>DC</sub> / 100 mA
Control inputs	LOW ≤1.5 V / HIGH ≥3.5 V
Walking speeds	
- Wide angle / Curtain	0.1 ... 4.0 m/s / 0.1 ... 4.0 m/s
Ambient conditions	
Operation temperature	-20 ... +55 °C
Storage temperature	-20 ... +60 °C
Humidity (EN60721)	<95 % r.h., non condensing
EMI rejection up to 1 GHz / up to 2 GHz	>30 V/m / >10 V/m
Housing protection EN60529, EN50102	IP41
Approvals	VdS class B, wide angle: G 103506, curtain: G 103507

## Details for ordering

Type	Part no	Designation	Weight
IR270MD	A5Q00001864	Passive infrared detector	0.150 kg
IRS272	571733	Curtain mirror (set of 4)	0.055 kg
IRUM20	562247	Swivel wall-mount bracket	0.044 kg
IRUM30	562250	Swivel ceiling mount bracket	0.072 kg
-	503251	Adhesive tamper seal	-

Siemens Building Technologies AG  
 Alte Landstr. 411  
 CH-8708 Männedorf  
 Tel. +41 1 - 922 6111  
 Fax +41 1 - 922 6450  
 www.sibt.com

© 2003 Copyright by  
 Siemens Building Technologies AG  
 Data and design subject to change without notice.  
 Supply subject to availability.