



Cerberus®

## Microswitch

**MSU1**  
**MSU3**  
**MSU4**

---

The microswitches are mainly used as a means of lock check on safes, although they are also suitable for monitoring doors, windows, garage doors etc. The MSU1 microswitch can also be used to monitor skylight and swivel windows with special locking mechanisms.

Microswitch MSU1:

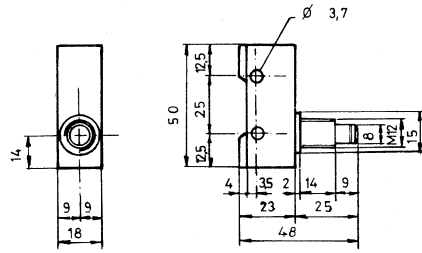
Microswitch with one changeover contact for recessed mounting.

Microswitch MSU3, MSU4:

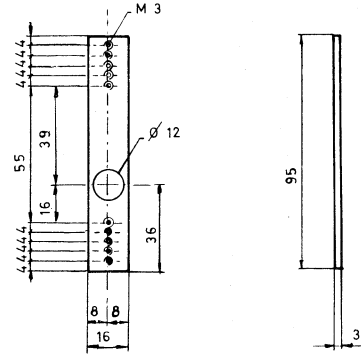
Microswitch with two changeover contacts for frontal or lateral mounting.

**Dimensions**

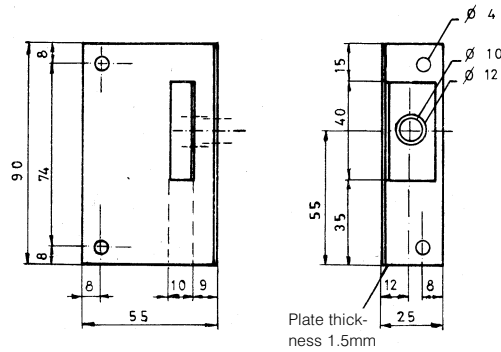
**Microswitch MSU1**



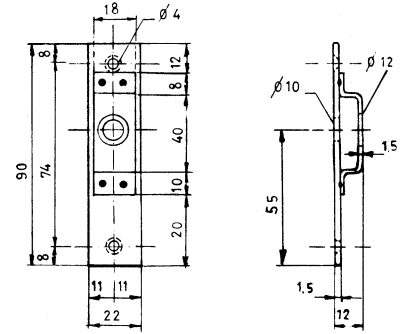
**Plate for recess mounting**



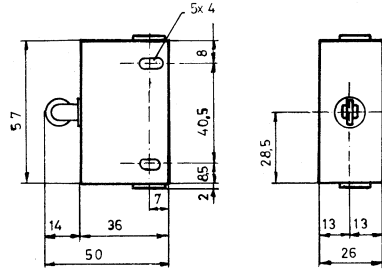
**Mounting bracket**



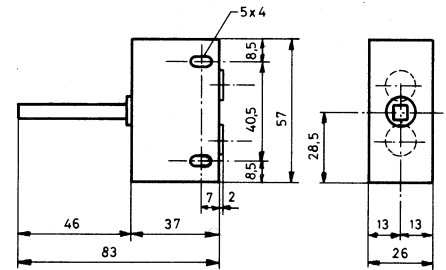
**Mounting plate**



**Microswitch MSU3**



**Microswitch MSU4**



**Details for ordering**

| Type                 | Part no | Designation                      | Weight  |
|----------------------|---------|----------------------------------|---------|
| MSU1                 | 150374  | Microswitch                      | 0.045kg |
| MSU3                 | 150455  | Microswitch                      | 0.085kg |
| MSU4                 | 244604  | Microswitch                      | 0.095kg |
| Accessories for MSU1 | -       | 190376 Plate for recess mounting | 0.040kg |
|                      | -       | 190428 Mounting bracket          | 0.095kg |
|                      | -       | 190444 Mounting plate            | 0.035kg |