



IS433 / IS434 / IS435

Photoelectric infrared beams

with twin beams for indoor and outdoor applications

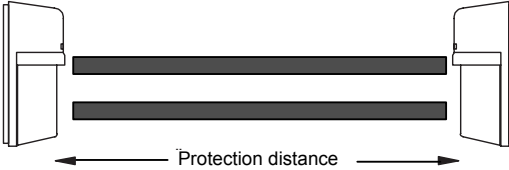
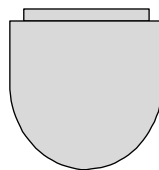
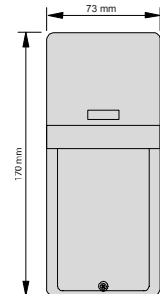
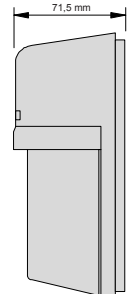
- **Perimeter protection from 20 to 60 m outdoor and from 40 to 120 m indoor use**
- **Intelligent and synchronised twin beams serve to reinforce the range and stability in severe weather conditions**
- **Automatic gain control**
- **4 separate choices of frequencies**

Approved detection performance. The intelligent twin beams work in an AND-function, which guaranties immunity from falling leaves and small animals. Strong active infrared transmission with a ten times greater infrared power than for the specified maximum distance. Special housing design ensure reliable operation when there is frost or dew.

Automatic gain control. The sensitivity is automatically increased in severe weather conditions to contend with fog, heavy rain, frost or snow.

Highest false alarm immunity. Special light compensation circuit for excellent immunity against sun, car, fluorescent or mercury lights.

Coverage areas and dimensions

Coverage areas		Dimensions													
 <table border="1" data-bbox="279 459 478 526"> <thead> <tr> <th>Type</th> <th>Outdoor</th> <th>Indoor</th> </tr> </thead> <tbody> <tr> <td>IS433</td> <td>20 m</td> <td>40 m</td> </tr> <tr> <td>IS434</td> <td>40 m</td> <td>80 m</td> </tr> <tr> <td>IS435</td> <td>60 m</td> <td>120 m</td> </tr> </tbody> </table>	Type	Outdoor	Indoor	IS433	20 m	40 m	IS434	40 m	80 m	IS435	60 m	120 m			
Type	Outdoor	Indoor													
IS433	20 m	40 m													
IS434	40 m	80 m													
IS435	60 m	120 m													

Technical data

Type	IS433	IS434	IS435
Detection system	Simultaneous breaking of 2 beams		
Infrared beam	Double modulation pulsed beam by LED		
Protection distance	Outdoor < 20 m Indoor < 40 m	Outdoor < 40 m Indoor < 80 m	Outdoor < 60 m Indoor < 120 m
Response time	50 ms to 700 ms (variable)		
Power supply	12 VDC bis 30 VDC (non-polarity)		
Current consumption	55 mA	75 mA	80 mA
Alarm output	30 VDC/DC 0.5 A		
– Realy (changeover contact)	1 ... 3 s		
Tamper output	30 VDC/DC 0.5 A		
– Cover contact (opens on tamper)			
Functions	Beam frequency changeover (4 ch.), Monitor jack output, AGC circuit, frost proof cover		
Beam adjzstment	Horizontal: $\pm 90^\circ$ C, Vertical $\pm 10^\circ$ C		
Environmental conditions	- 25° C ... + 60° C		
Mounting position	Indoor / Outdoor		
Housing protection (EN 60529, EN 50102)	IP43		

Ordering data

Type	Art. No.	Designation	Weight
IS433	529976	Photoelectric beam sensor (20 m)	0.780 kg
IS434	529963	Photoelectric beam sensor (40 m)	0.780 kg
IS435	529905	Photoelectric beam sensor (60 m)	0.780 kg
BP-60TE	538637	Pole cover (2 pcs./set)	

Siemens Building Technologies AG
 Alte Landstr. 411
 CH-8708 Männedorf
 Tel. +41 1 - 922 6111
 Fax +41 1 - 922 6450
 www.sbt.siemens.com

© 2004 Copyright by
 Siemens Building Technologies AG
 Data and design subject to change without notice. Supply subject to
 availability.