

SiPass Entro Lite



SiPass Entro Lite

A compact access control system with a wide range of security features

SiPass Entro Lite suits the small business or the tenant-owner's association where a small number of doors need to be secured. Up to eight card readers can be programmed and controlled centrally from the software.



SiPass Entro Lite

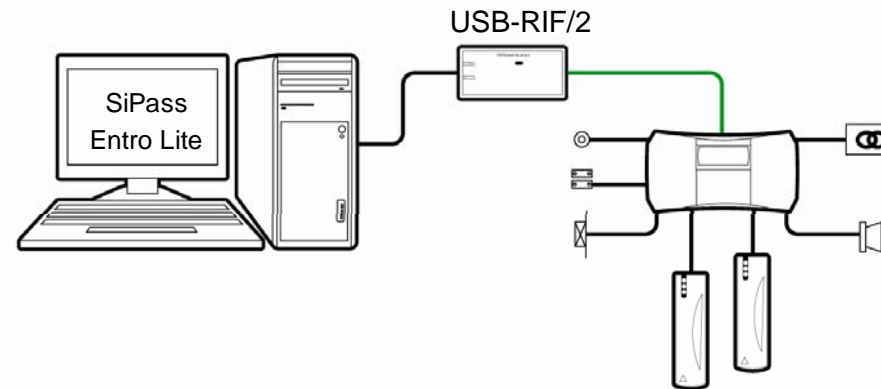


- Simplified and cost efficient access control
- Key functions:
 - Simple to install and handle
 - Very cost efficient
 - Flexible and scaleable
 - Single door or system
 - A maximum of eight doors
 - Possibility to upgrade to SiPass Entro and 512 doors

SiPass Entro Lite as a single-door system



Or



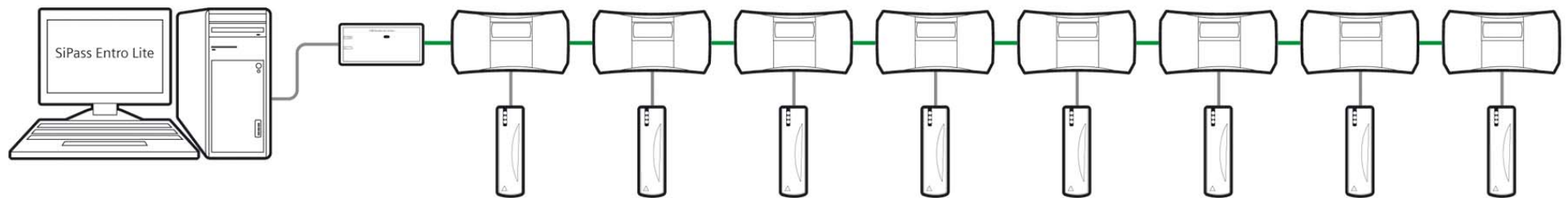
Programming inside the DC800 controller via the built-in keypad

or

Programming from a PC using SiPass Entro Lite software and the USB-RIF/2 reader interface.

Option: enrolment reader

SiPass Entro Lite as a multi-door system



A maximum of eight doors can be programmed from a PC using SiPass Entro Lite software and USB-RIF/2 reader interface.

Option: Enrolment reader

DC800 Door Controller



Fast facts

- Controller for one door
- 1,000 cards/tags
- Reader interface BC-link, Clock&Data and Wiegand
- Built-in calendar clock
- RS485 interface for com.bus
- Door control
- Relay output for Alert, Warning, Duress or Alarm
- Anti-passback (reader in/out)
- Bank lobby function

Readers for DC800



DC800 can control any type of reader using:
BC-link, Clock&Data or Wiegand 26bit, 32bit and 8bit burst inputs.



A tip!
DC800 can also be used with the M43 keypad.
This provides a code-lock solution with built-in time control of the codes.

USB-RIF/2 – USB-reader interface



Data:

- Power supply: 5-10VDC via the USB port
- Reader interfaces:
 - Clock&Data
 - 26 and 32 bit Wiegand
- Com interfaces:
 - RS485 for com bus to DC800
 - USB for com to PC
- Delivered with a one-meter long USB cable

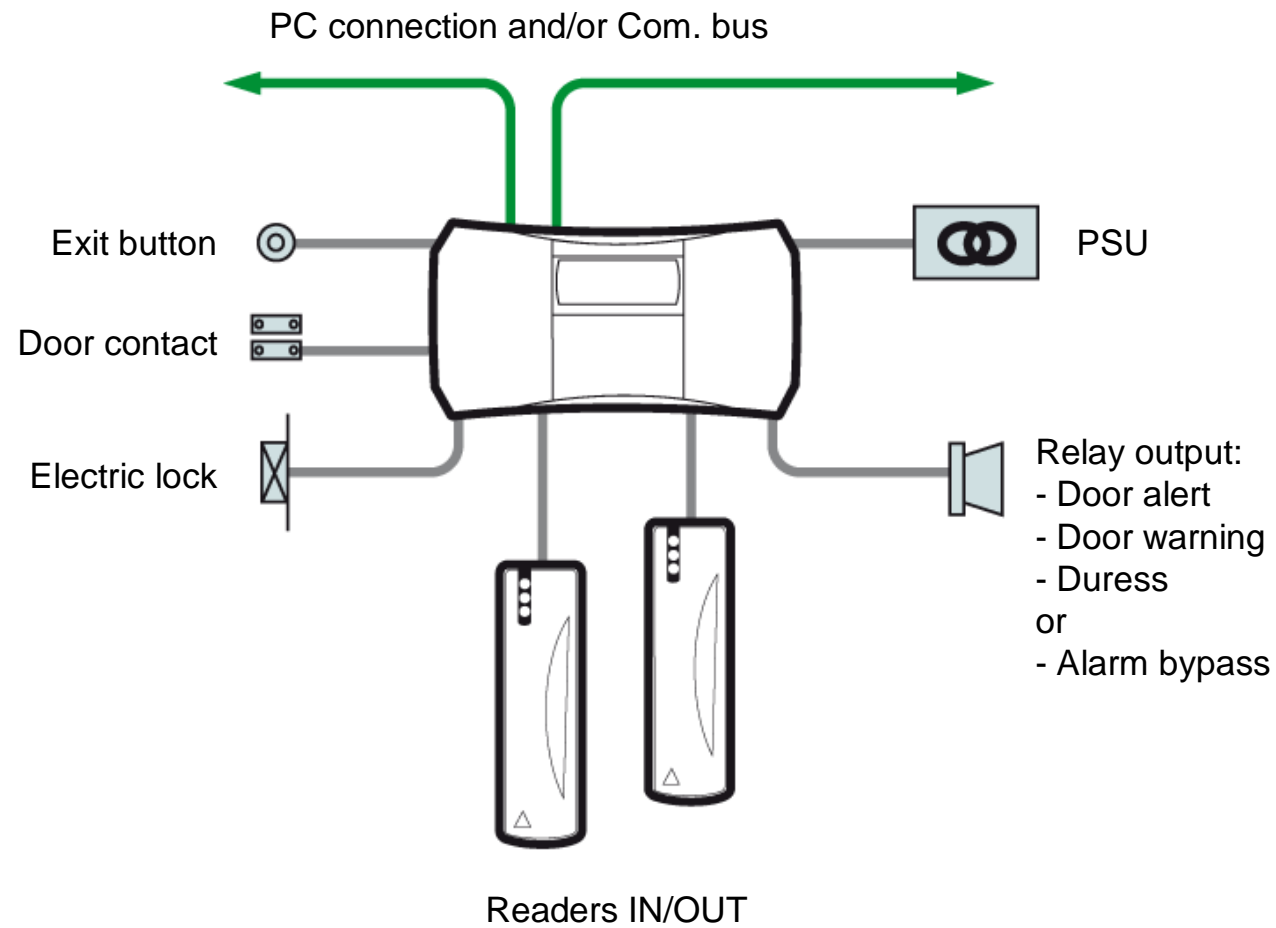
Note: Support for USB-RIF/2 will come in SiPass Entro version 5.2

SiPass Entro Lite

Entro Lite Software

- Software to support up to 8 doors (DC800)
- Nine languages as standard: English, German, French, Spanish, Dutch, Swedish, Danish, Norwegian, Finnish
- 1,000 cards/tags
- Windows XP and 2000
- USB interface with use of the USB-RIF/2
- GUI looks very similar to that of SiPass Entro, but everything is in one single view (program)
- Includes basic access control features
- Doesn't have any features that aren't supported in SiPass Entro

DC800 Connections



Upgrade to SiPass Entro

