

**SiPass Entro MP6.0 –
Access control that's as easy as 1-2-3!**

SIEMENS



SiPass Entro – Presentation Contents

System overview

System features

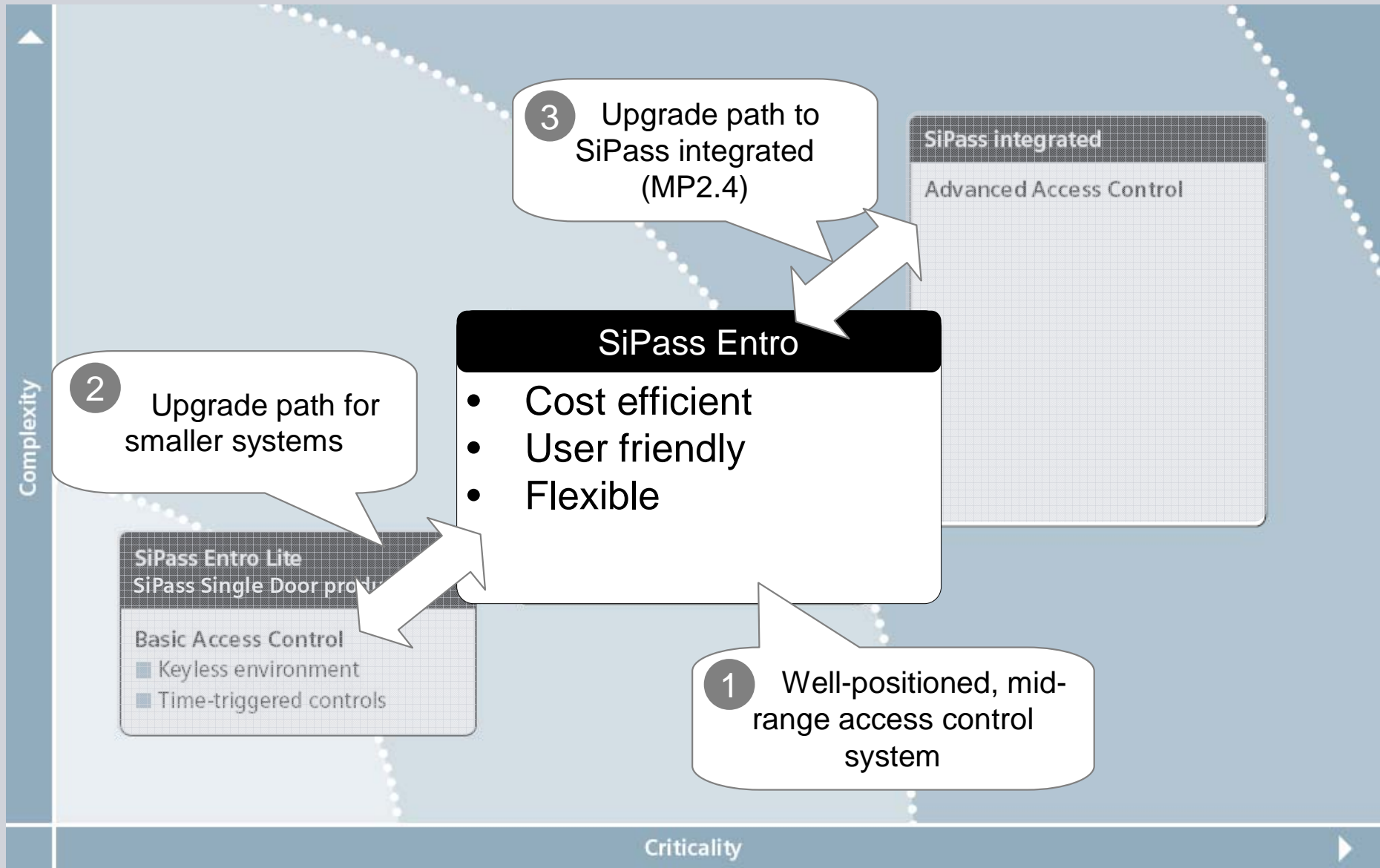
System administration

System hardware

System architecture



SiPass Entro – Positioned for the Midmarket



SiPass Entro – The Perfect System for the Midmarket

- Launched in 1997
- More than 8,000 systems sold monitoring over 80,000 doors
- Suitable for small and medium-sized organizations
- Flexible system structure
- Easy installation and setup
- Automatic hardware detection
- Easily expandable system
- Powerful and easy-to-use software
- Cost efficient system



SiPass Entro 6.0

SiPass Entro – Overview of System Capabilities



The SiPass Entro software can manage up to 10,000 sites, each with the capacity for up to:

- 512 doors
- 40,000 cardholders
- 480 access groups
- 240 time schedules
- 240 zones with five different functions, such as alarm control, anti-passback, roll call, entrance limitations and interlock
- 64 reservation objects
- 192 floors elevator control
- 16 SISTORE DVRs & 128 cameras
- Photo ID card design and printing

SiPass Entro – Software

- Powerful and easy-to-use
- 13 languages as standard:
English, French, German, Dutch,
Swedish, Danish, Norwegian,
Finnish, Czech, Polish, Italian,
Spanish and Portuguese
- Compatible with Windows 2000,
Windows XP and Windows Vista
- Windows 2003/2008 Terminal
Server version available



SiPass Entro – System Components

Segment controller

- SR35i/4+4
- SR35i/8+8
- SR35i/16+16
- SR35i/32+32



Administration

- Software
- USB-RIF/2



Door controllers

- DC22
- DC12
- DC01



Relay controller

- IOR6



Readers and keypads



M43



PP500



PR500



HD500



HF500

RF Components

- RF30-EM
- RF9



Scandinavian
lock case only

Prox Codoor

- PD30-EM
- PD40-EM

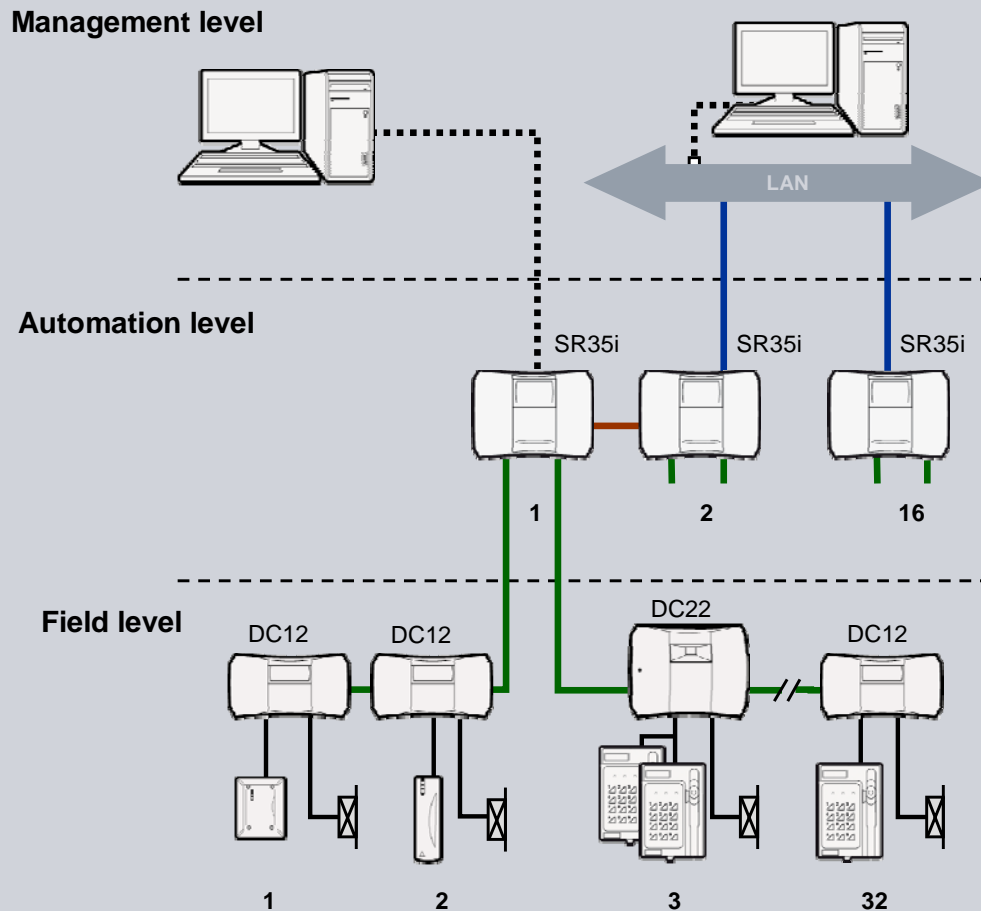


Reservation

- IP811
- CF8



SiPass Entro – System Structure



Three different levels:

- Management: PC with SiPass Entro software
- Automation: segment controllers (SR35i)
- Field: door controllers (DC12, DC22) and readers

Communication:

- RS232
- RS485
- Modem
- TCP/IP on LAN, WLAN or Internet

System:

- Mirrored database between PC <-> SR35i <-> SR35i
- Event buffer (10,000 latest events)

SiPass Entro – Wireless Functionality

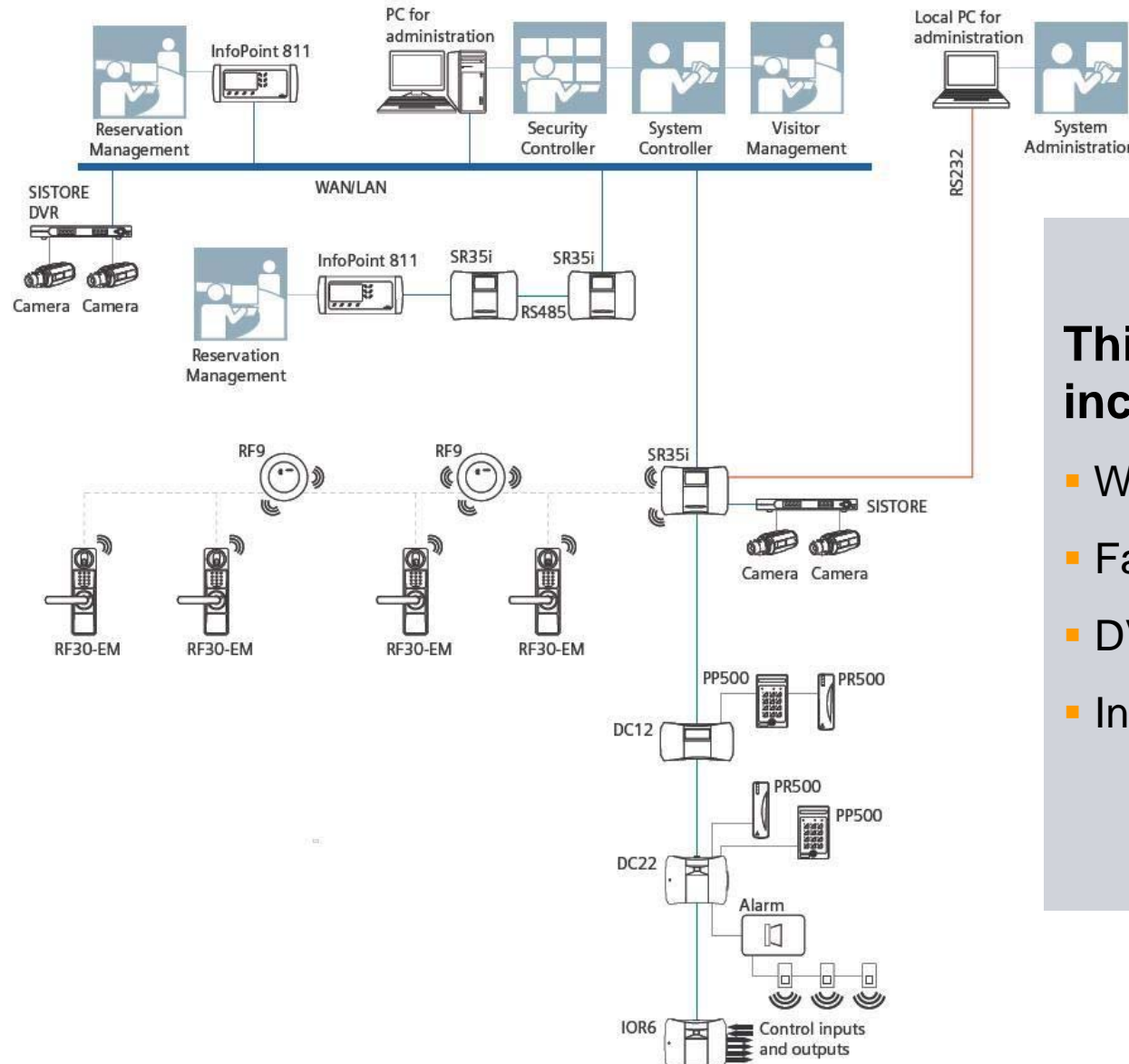
- SiPass Entro MP6.0 provides support for Siemens' new wireless door unit, the **RF30-EM Codoor**.
- New **SR35i segment controller** provides all the functionality of the SR34i controller **plus** wireless online communication with RF30-EM readers and RF9 routers.
- Wireless access control is very cost-efficient and perfect for use on interior doors.



Scandinavian
lock case only



SiPass Entro – System with Wired and Wireless Components



This SiPass Entro system includes:

- Wired and wireless doors
- Facility reservation management
- DVR integration
- Intrusion alarm handling

SiPass Entro – Presentation Contents

SIEMENS

System overview

System features

System administration

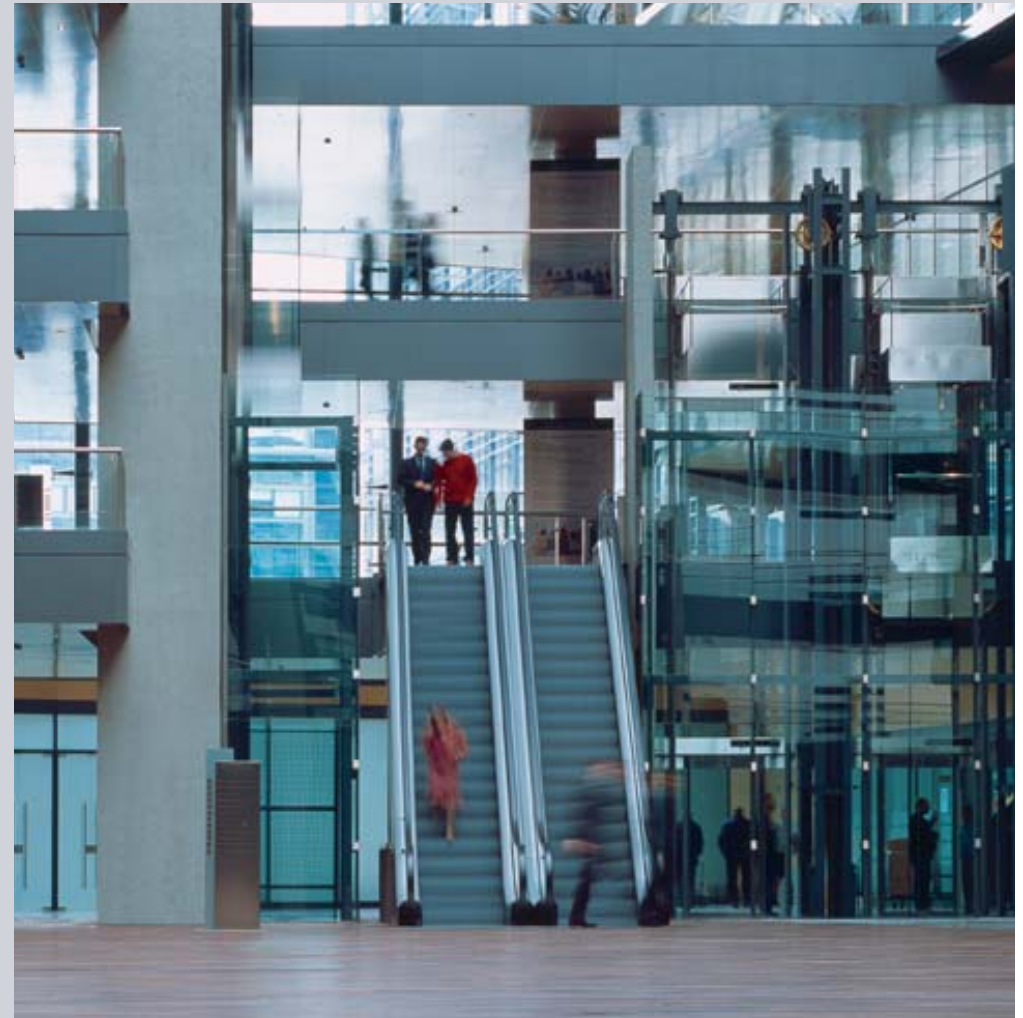
System hardware

System architecture

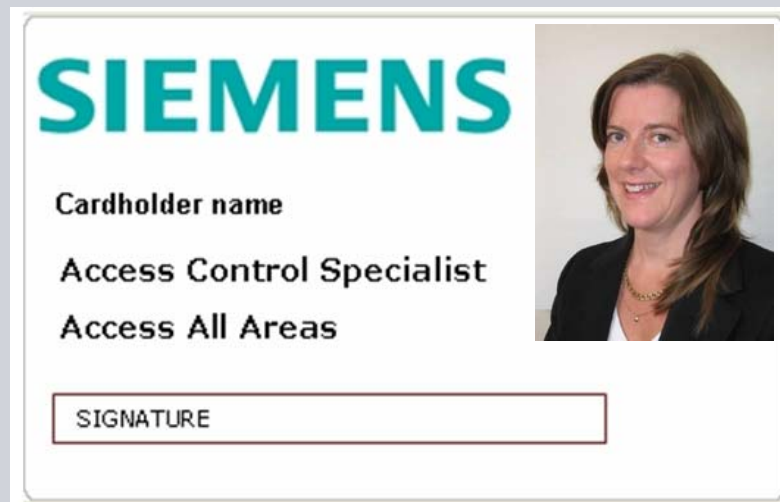


SiPass Entro – Feature Highlights

- Photo ID card design and printing
- Multi-site management
- DVR integration
- Facility reservation
- Global zones
- Alarm control and
Alarm status feedback (ASF)
- Elevator control
- BAPSI interface



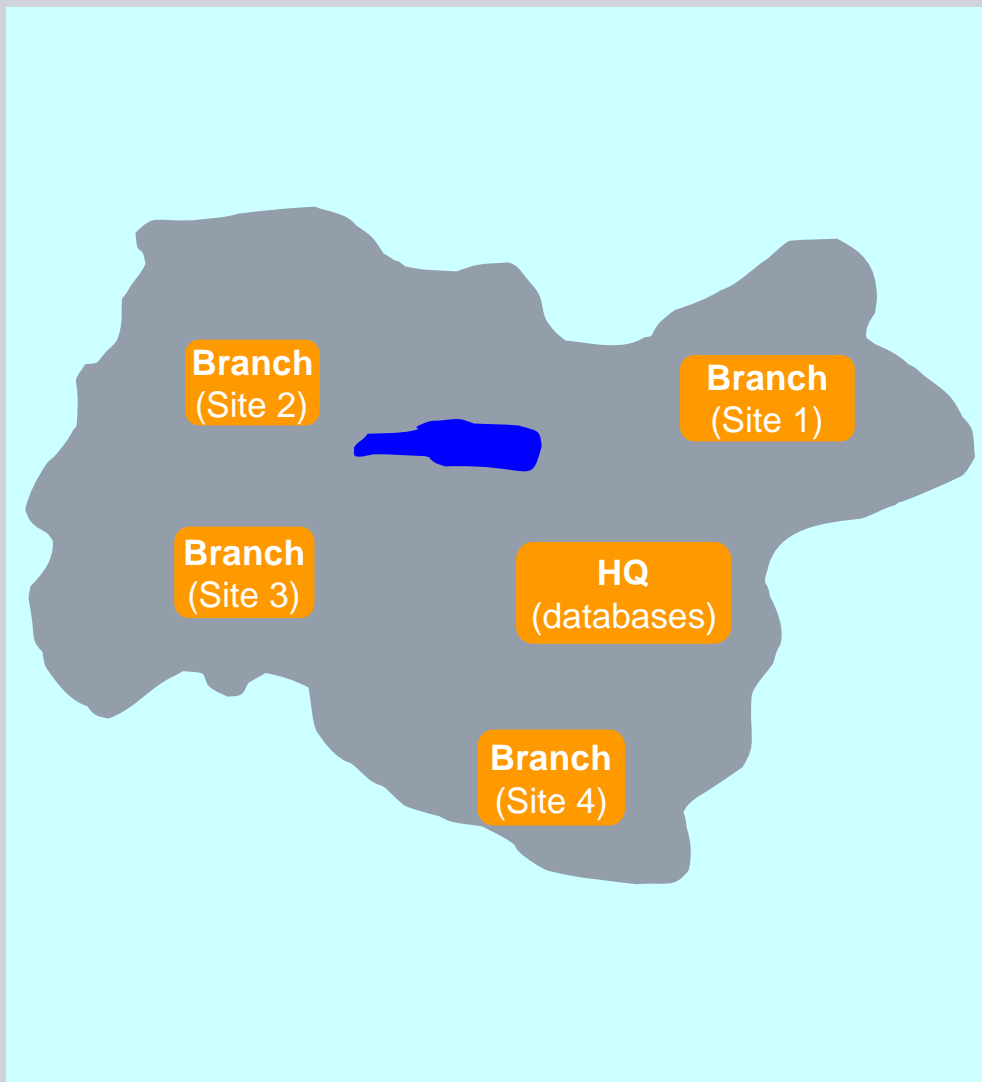
SiPass Entro – Photo ID Card Design and Printing



- Software includes a visual template design tool for designing and printing personalized ID cards/badges
- Supports standard Windows printer drivers
- Also possible to create and print cardholder receipts that the cardholders can sign when their cards are issued

SiPass Entro –

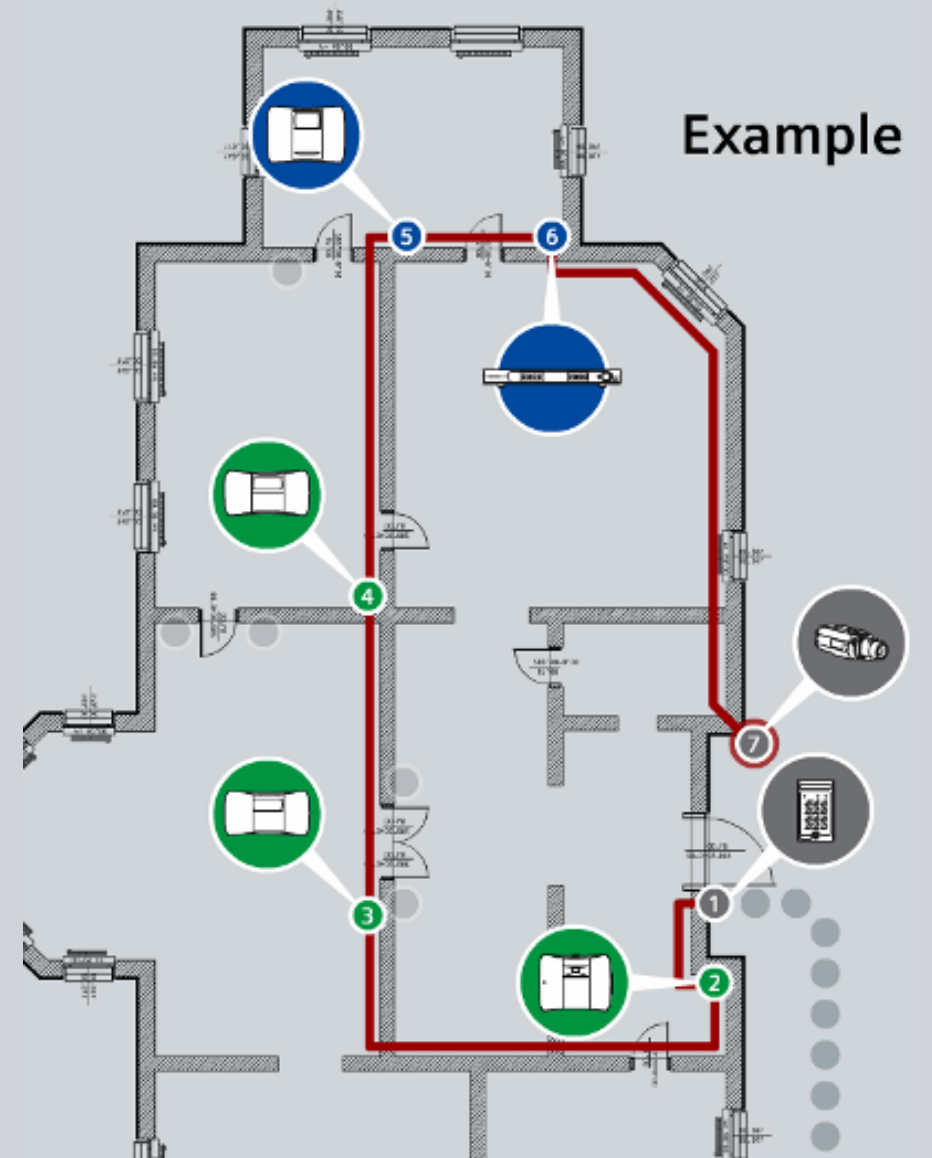
Multi-site Management with Windows Server 2003/2008



- Enables remote services at SiPass Entro sites
- Ability to manage up to 10,000 sites in parallel from different clients at the same time
- One software installation for multiple sites (very easy to maintain)
- Multi-site card management
- No need for system know-how at branches

SiPass Entro – DVR Integration

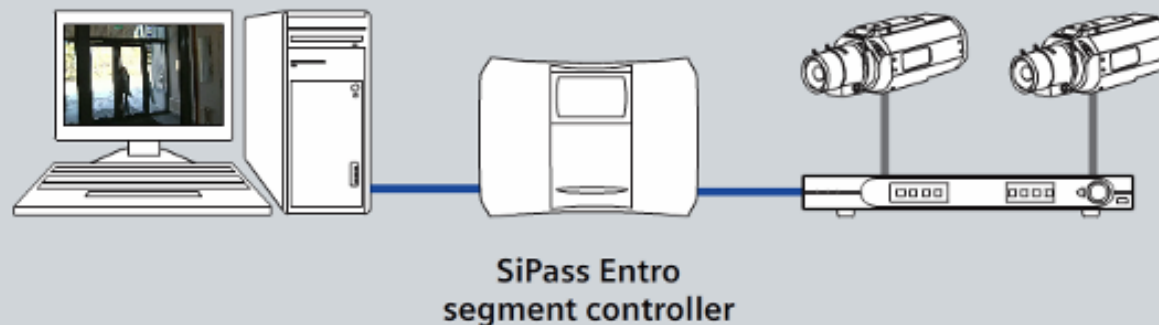
- SISTORE DVRs communicate directly with SR35i
- Recordings are triggered by events in SiPass Entro
- Search & playback of recordings from SiPass Entro event log
- Status and view of cameras from the Entro Door Monitor program
- Live view via SISTORE Remote Access Software (RAS)



SiPass Entro – DVR Integration

How does it work?

- The system architecture is very simple and straightforward, which makes system setup easy.
- The DVRs communicate directly with the SiPass Entro controllers – no server or PC is required.



- The PC is only needed for system setup, searching the event log and viewing recordings.

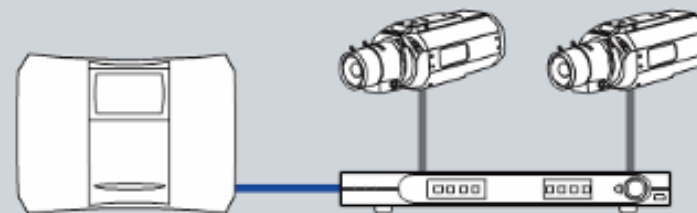
SiPass Entro – DVR Integration

How does it work?

- The system architecture is very simple and straightforward, which makes system setup easy.
- The DVRs communicate directly with the SiPass Entro controllers – no server or PC is required.



No server or
PC is required



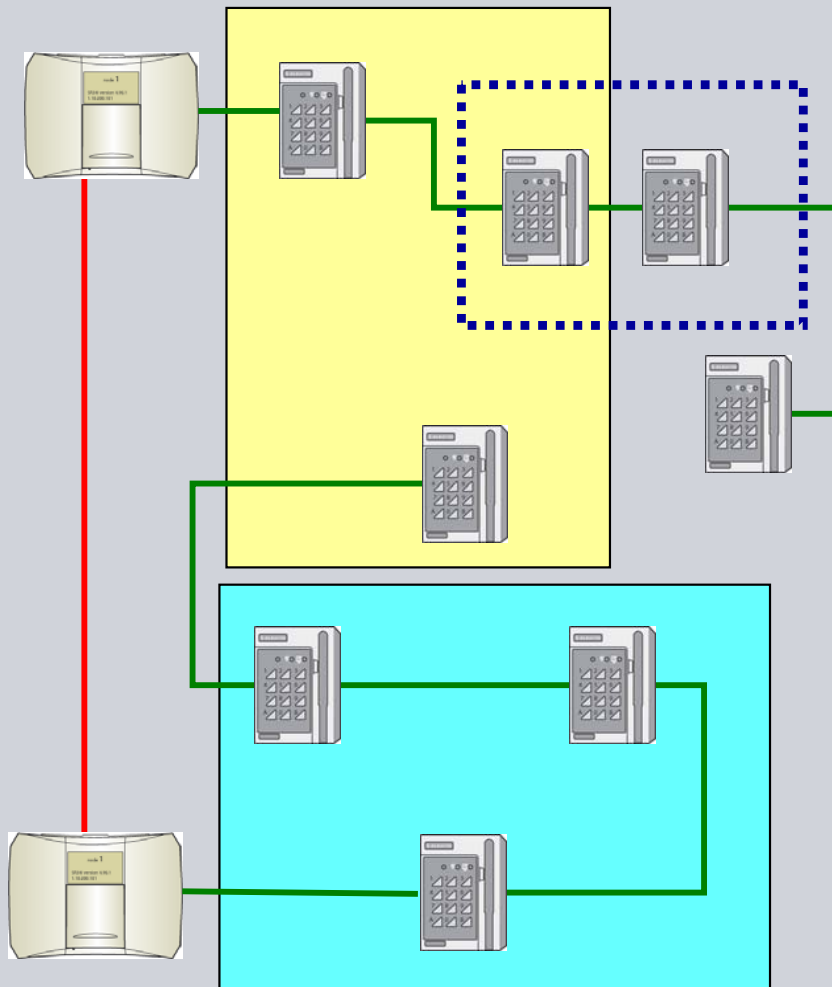
SiPass Entro
segment controller

SiPass Entro – Facility Reservation Function



- For reserving access to premises such as conference rooms, squash/tennis courts, solariums, laundry rooms, etc.
- Reservation can be done via:
 - InfoPoint IP811, reservation terminal
 - Internet from a standard web browser
- Confirmation sent out via e-mail
- Fixed or free time reservation
- Flexible settings for reservation restrictions
- Machine control
- Random reservation
- Debit support of reservations events

SiPass Entro – Global Zones



- Zones can include one or several doors/readers
- The zones are “soft” – that is, the setup is done in the software
- The zones are “global” – they can operate across several SR35i’s
- 240 zones can be created with a mix between:
 - Alarm control
 - Roll call
 - Anti-passback
 - Entrance limitation
 - Interlocking
 - Reservation (max 64)

SiPass Entro – Alarm Control and Alarm Status Feedback (ASF)

- SiPass Entro works with any intrusion system
- Use of alarm zones minimizes wiring between the two systems
- Alarm Status Feedback (ASF) synchronizes the two systems
- Red LED control displays alarm status
- Alarm activation via time schedule
- Pre-warning in readers and relay in DC22
- Ability to set a range of alarm-control rights for different cardholders

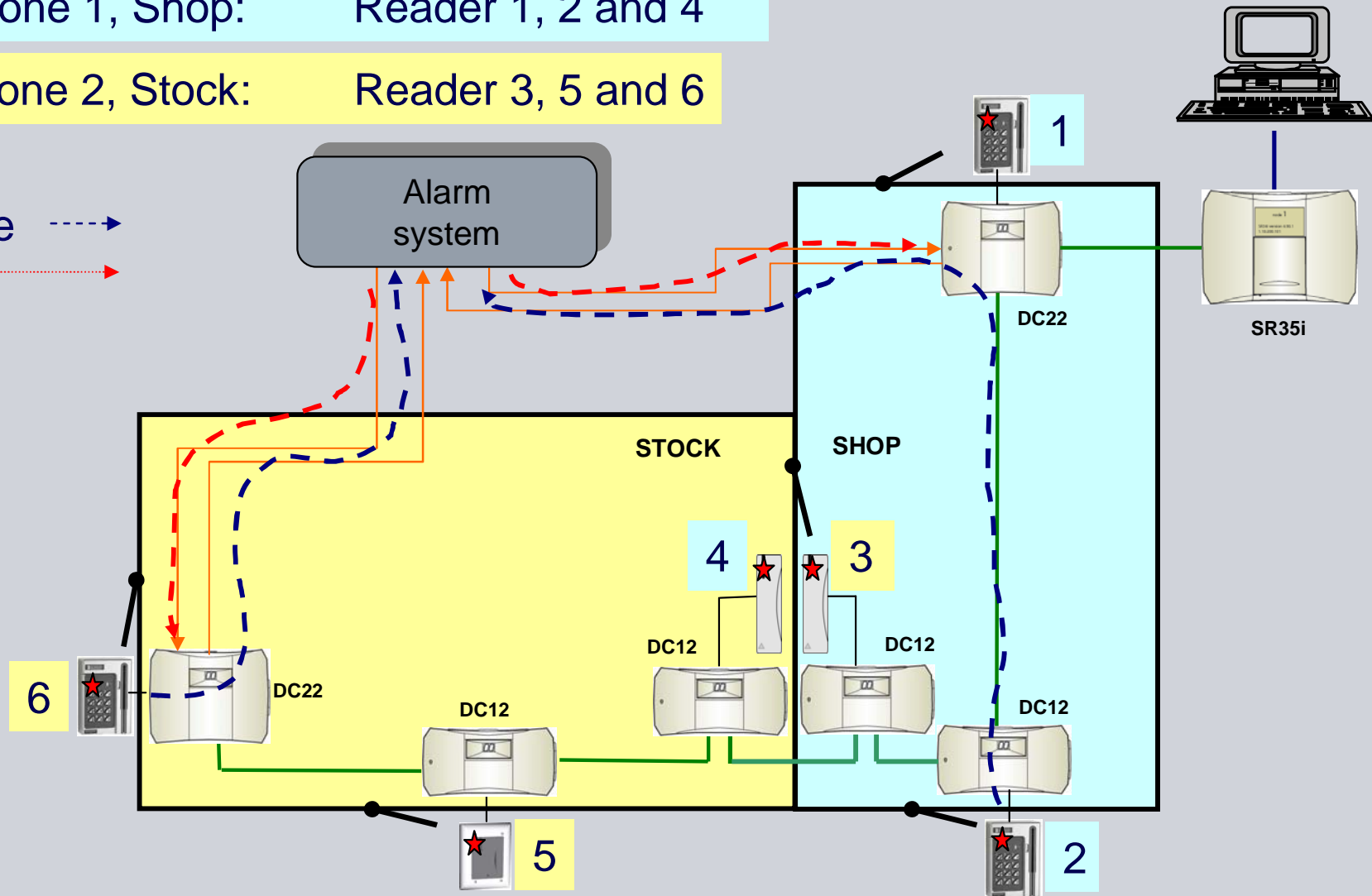


SiPass Entro – Alarm Control Configuration Example

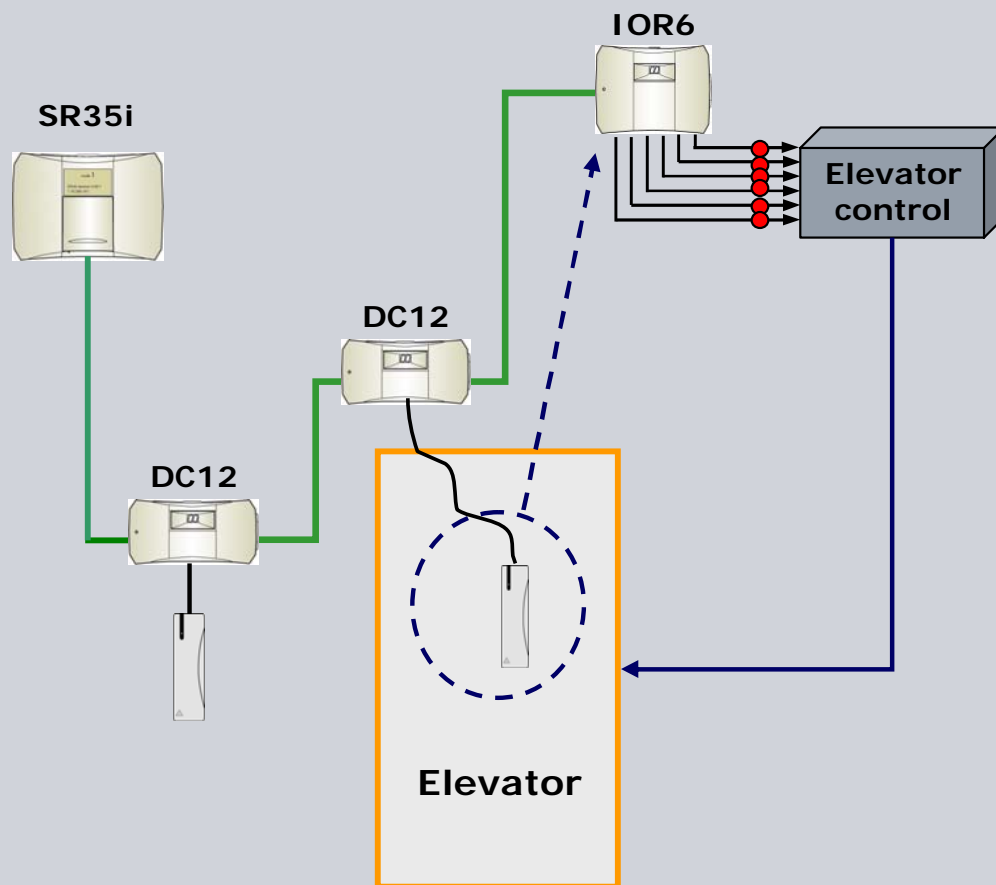
Alarm zone 1, Shop: Reader 1, 2 and 4

Alarm zone 2, Stock: Reader 3, 5 and 6

Activate - - - - ->
ASF - - - - ->

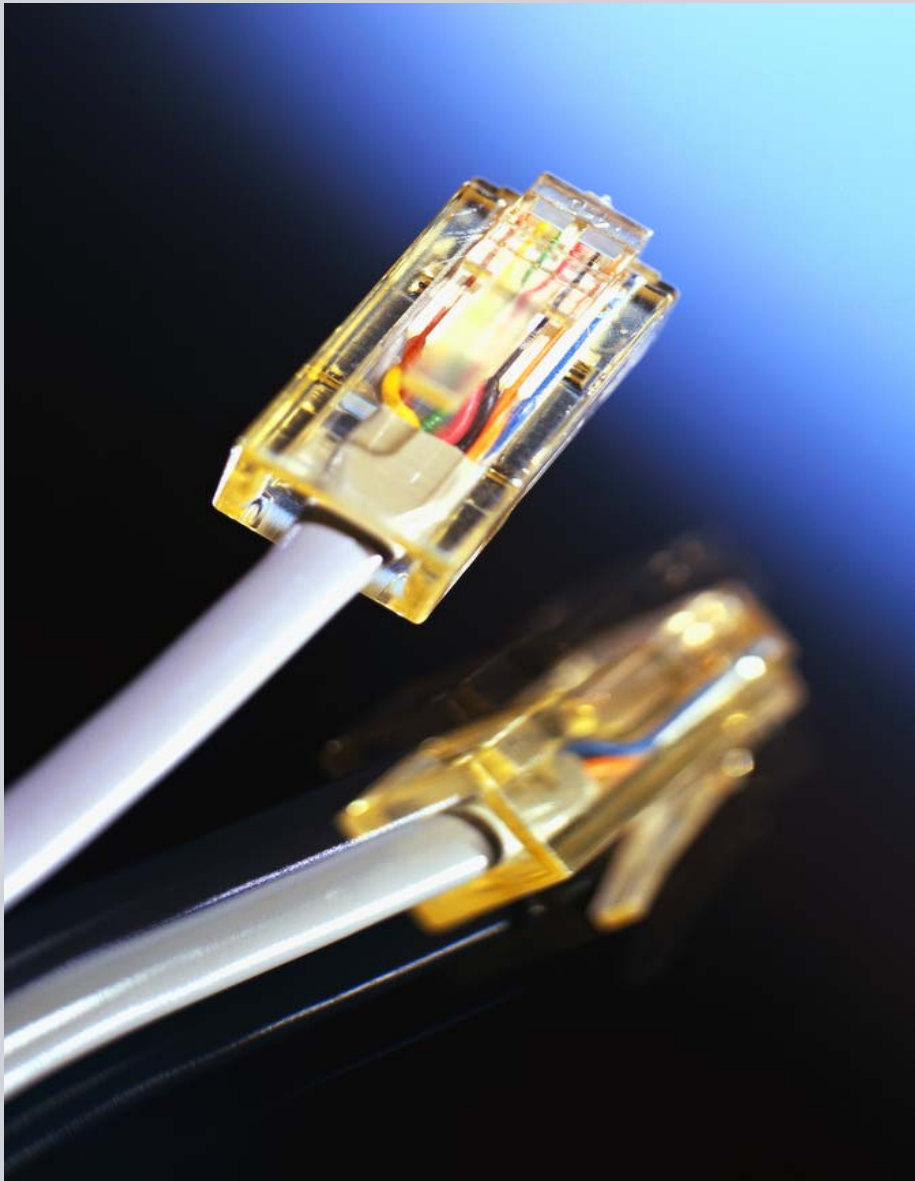


SiPass Entro – Elevator Control



- IOR6 relay unit provides six programmable outputs
- Up to 32 IOR6 devices can be installed in a single system for control of up to 192 floors
- Any reader in the system can be set up in the software to control one or several IOR6
- Access rights to each floor (relay) is controlled by access groups

SiPass Entro – BAPSI Interface



- An open and free TCP/IP-interface
- Embedded in the SR35i
- Online communication direct from SR35i to third-party systems or hardware via TCP/IP
- Encrypted data-com (128-bit)
- Import/export of cardholder data
- Export of events & alarms
- Useful for applications such as:
 - Time and Attendance (T&A)
 - Payroll systems
 - HR systems
- Design specification free of charge

SiPass Entro – Summary of Main Benefits and USPs



- Comprehensive standard access control
- Photo ID card design and printing
- Unique and smart video recording capability
- Integration with intrusion alarm systems
- Easy viewing of cameras and recorded events
- Windows Server 2003/2008 for simplified multi-site management
- Facility reservation function
- Wireless capability

SiPass Entro – Presentation Contents

SIEMENS

System overview

System features

System administration

System hardware

System architecture

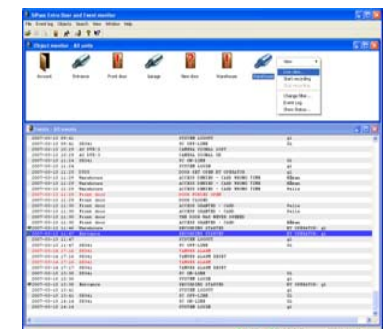
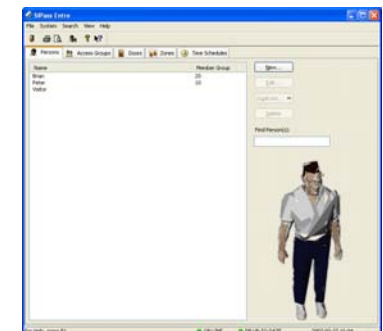
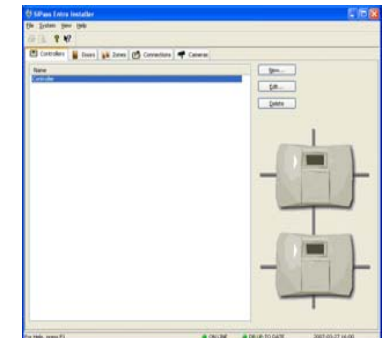


SiPass Entro – System Administration

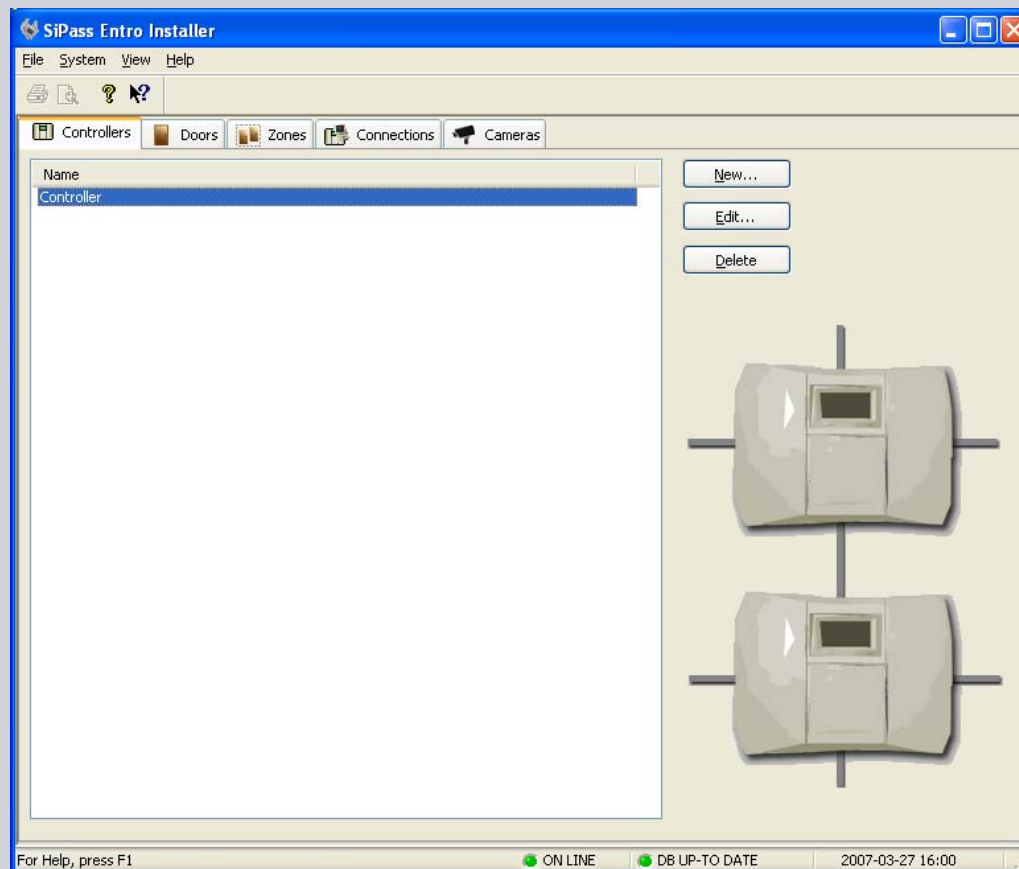
The software is very user-friendly and easy to use.

It consist of three password-protected programs:

- Installer
- Entro (for daily administration)
- Door and Event Monitor

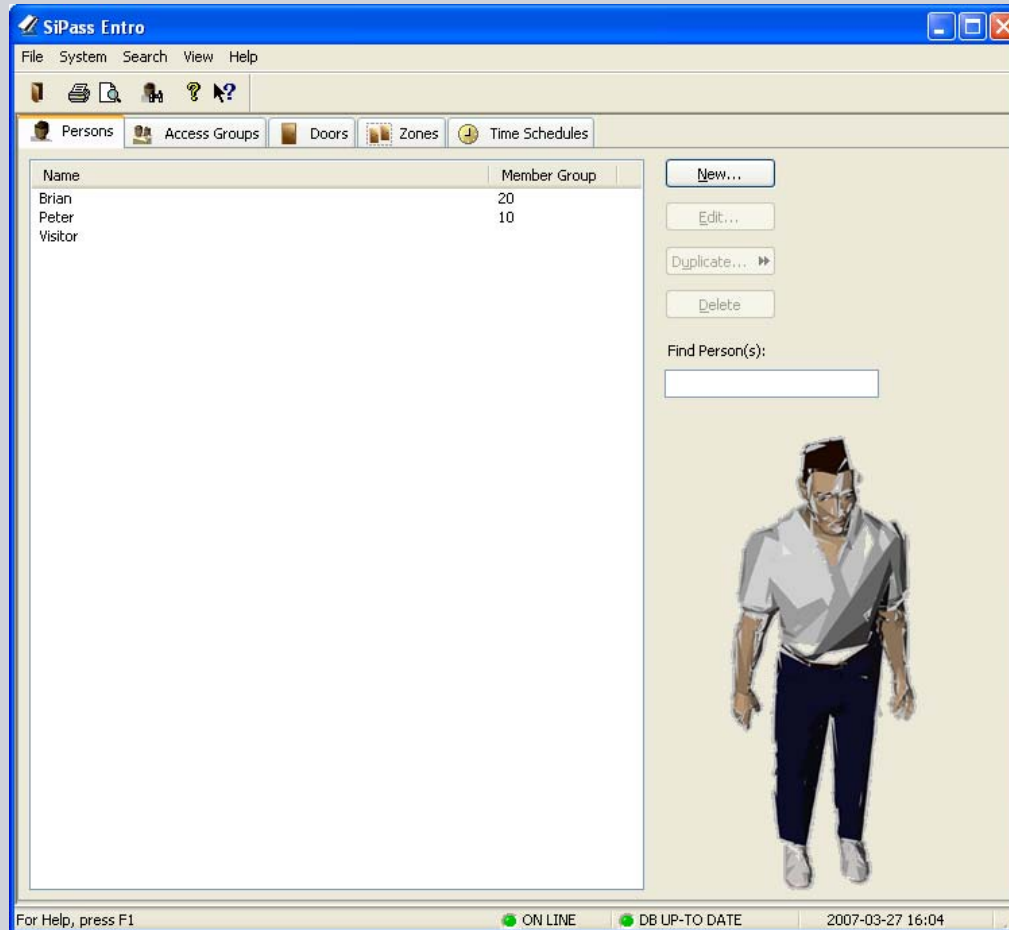


System Administration – Installer Program



- The software automatically finds the installed hardware
- Simply set name on controllers and doors (readers) and define hardware parameters
- Create zones
- Create connections
- System settings

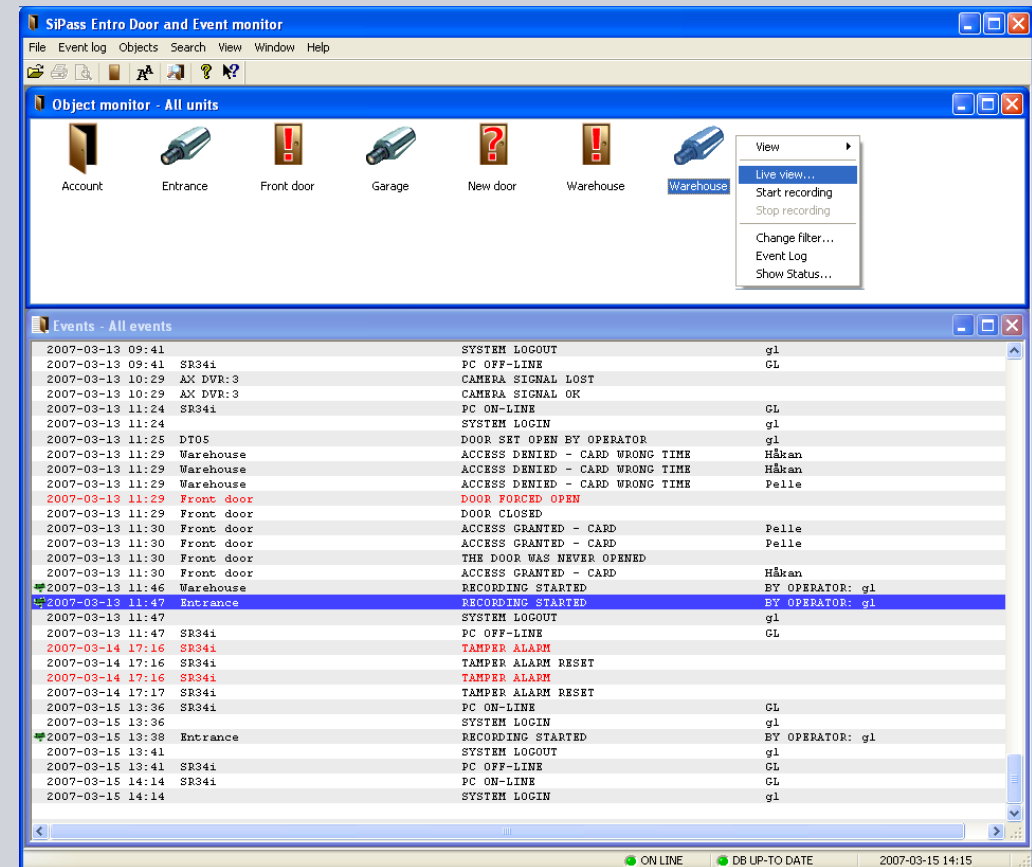
System Administration – SiPass Entro Software for Daily Administration



- Card administration
- Access groups
- Security levels
- Zones
- Time schedules
- Searches in database, etc.

System Administration – Door and Event Monitor Program

- Event log
- Event search
- Door operation
- Door monitoring
- Camera status
- Start live view
- Start/stop recording



Locked and Closed



Unlocked



Door Held or Forced open



Tamper alarm



Alarm Activated



Off line



Camera On line



Camera loss



Camera alarm



Recording

System Administration – USB-RIF Enrolment Reader



The USB-RIF works in three ways:

- **To log on cards**

Just showing the tag/card to the reader open a persons "New" tab with card number already filled in.

- **For system login**

Instead of typing in the user name a card/tag can be used. Simply type in the password to complete the login.

- **For quick searches**

Showing a card already logged into the system will open the actual cardholders "Edit" tab.

SiPass Entro – Presentation Contents

SIEMENS

System overview

System features

System administration

System hardware

System architecture

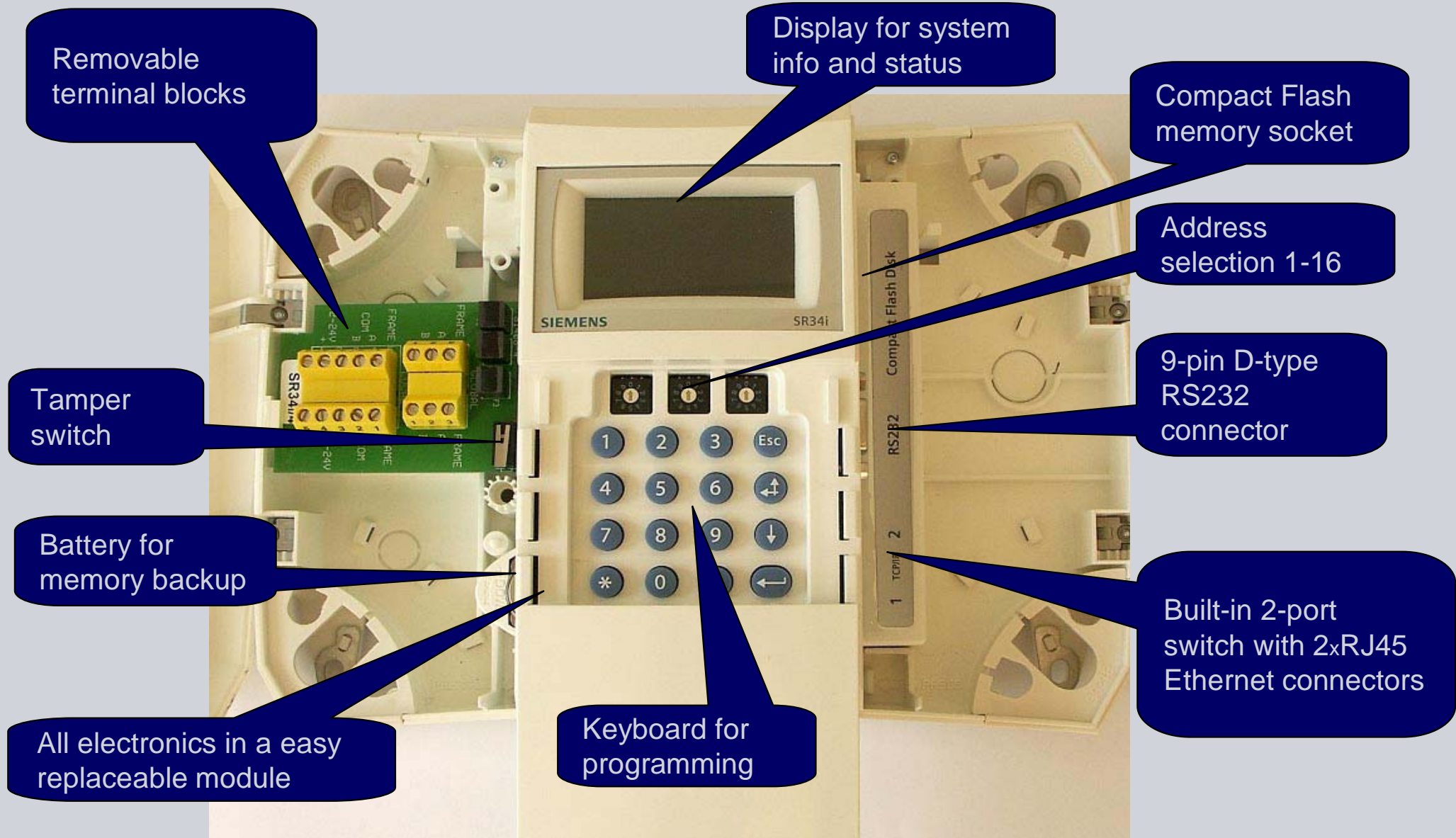


SiPass Entro Hardware – SR34i Segment Controller



- A range of capacity levels (4, 8, 16 or 32 doors)
- Standard interfaces:
 - RS232 for PC or modem
 - RS485 for global and local bus
 - TCP/IP for LAN/WAN
- Built in two-port switch
- Integrated Web server
- Integrated keyboard and display for programming and system feedback
- Up to 16 controllers in one system

A Look Inside the SR34i



SiPass Entro Hardware – Introducing the SR35i Segment Controller!

**The SR35i replaces the SR34i.
It offers all of the functionality
of the SR34i plus:**

- Onboard antenna and wireless communication via Zigbee
- Full support for RF30-EM wireless readers and RF9 routers
- Encrypted transmission and wireless network status monitoring
- Support for up to 32 wired doors and up to 32 wireless ones



SiPass Entro Hardware – RF30-EM Wireless Reader



**Note: Designed for use on
Scandinavian lock cases only!**

- Battery-powered EM4102 prox reader, keypad, door controller and lock mechanism in a single housing
- Completely wireless and very easy to install (takes only half an hour!)
- Mounts directly onto a standard Scandinavian lock case (no cutting required)
- Stylish and robust – it blends into virtually any environment
- Versatile – can be used standalone or in a Bewator Entro system

RF30-EM Wireless Reader – Award-winning Technology

- The RF30-EM's onboard antenna communicates with SR35i and/or RF9 from distances of up to 25 meters
- Built-in IR sensor alerts the unit when someone is in front of it (saves power when not in use)
- Includes LEDs and buzzer for status indication

Scandinavian
lock case only



Best new access control
product – **finalist!**

New System Components – RF9 Router

- Used to extend the radio link from the SR35i to the RF30-EM readers
- Also acts as a tool for measuring radio coverage
- Operates using an external power supply (8 – 30 VAC / 8 – 40 VDC)
- Possible to use 9V battery during installation
- LED for signal strength and communication quality



SiPass Entro Hardware – DC22 Door Controller



- Display for status and error codes
- Reader interface for:
BC-Link, Clock&Data and Wiegand
- Monitors door status in terms of:
 - Open/Closed
 - Locked/Unlocked
- Six relay outputs for:
 - 2 x Electric locks
 - 2 x Warning
 - Alert
 - Alarm control
- Input for ASF
(Alarm Status Feedback)
- Can store 100 priority cards
- Upgradeable flash memory

SiPass Entro Hardware – DC12 Door Controller



- Display for status and error codes
- Reader interface for:
BC-Link, Clock&Data and Wiegand
- Monitors door status in terms of:
 - Open/Closed
- One relay output for:
 - Electric lock
- Can store 100 priority cards
- Upgradeable flash memory

SiPass Entro Hardware – DC01 Door Controller



- No reader connection
- Output for electric lock (timer operated)
- Input for door contact
- Input for exit request

SiPass Entro Hardware – IOR6 Relay Central



The IOR6 is used for:

- **Elevator control** – up to 192 floors, controlled by any reader in the system
- **Machine control** – for controlling machines, lights, etc. when using of reservation functionality
- **Timer control** – activate each relay via a time schedule
- **Alarm outputs** – to activate each relay via an alarm event (set by a filter)
- **Power-fail input** – from battery back-up (generates an event/alarm)
- **Emergency-opening input** – from a fire alarm, opens all door in the system

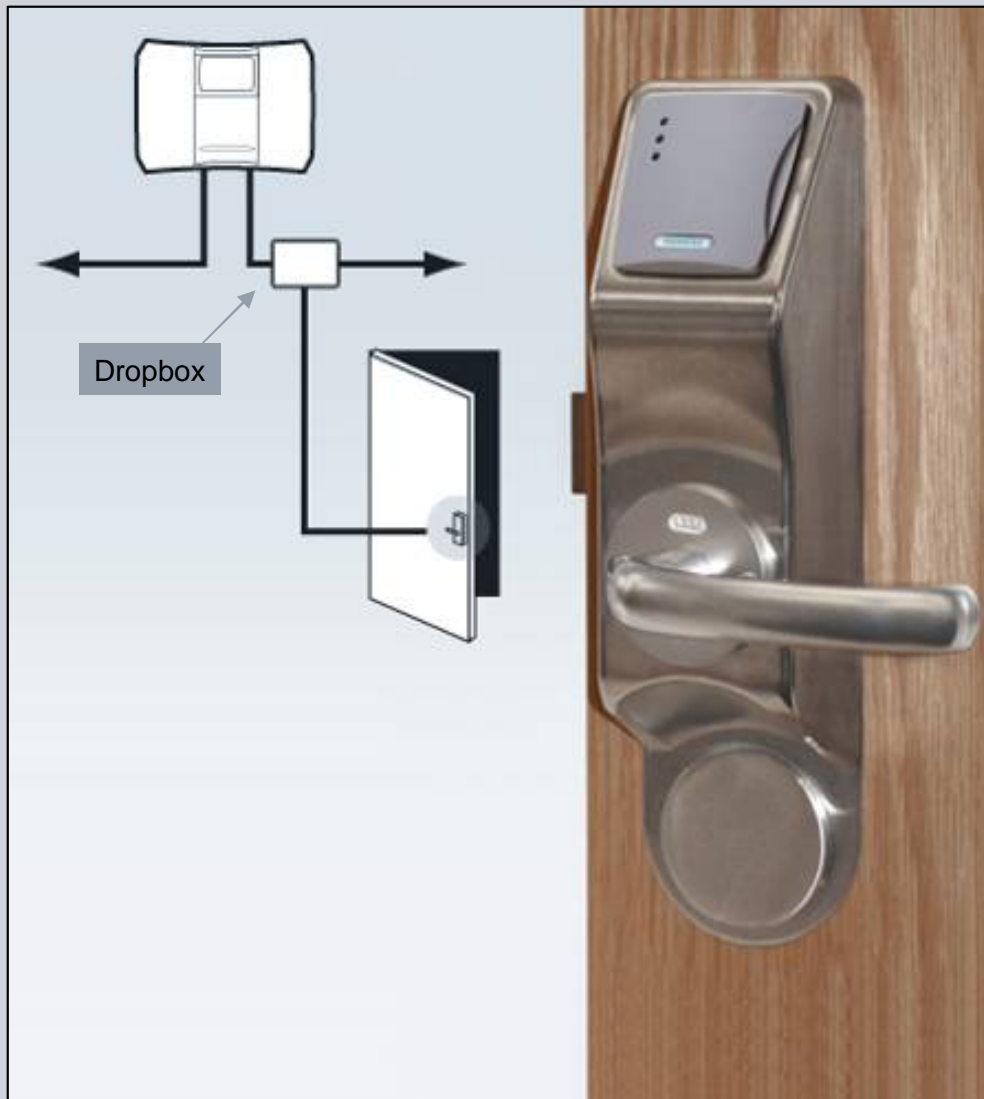
SiPass Entro Hardware – InfoPoint IP811 Reservation Terminal



IP811

- Reservation terminal with Web functions
- TFT color screen (400x200)
- Menu driven, easy to use
- TCP/IP connection 10 Mbit
- Integrated proximity reader for login (EM or Cotag)

SiPass Entro Hardware – Prox Codoor



- Door controller, reader and lock in one housing
- Low cost
- EM reading technology (125kHz)
- Cable connection for com-bus and power (no battery required)
- Fits “standard” lock cases
 - PD40-EM for Euro
 - PD30-EM for Scandinavia
- Dropbox is included

SiPass Entro Hardware – Readers

- Reading technologies
 - Magnetic stripe
 - EM (125 kHz)
 - Cotag
 - Cotag hands-free

- Reader interfaces
 - BC-Link
 - Clock&Data
 - Wiegand 26-bit 8-bit burst
 - Wiegand 32-bit 8-bit burst



SiPass Entro Starter Kit (EM)

Includes all the system components required to set up a two-door access control system:

- SiPass Entro software
- One four-door SR35i segment controller
- Attractive price
- Two DC12 door controllers
- Two PR500-EM proximity readers
- 20 pre-programmed ISO EM cards

Minimum quantity of 10 kits per order



SiPass Entro EM Door Kit

- Includes one DC12 door controller and one PR500-EM proximity reader
- Attractive price
- Minimum quantity of 10 kits per order



SiPass Entro Cotag Door Kit

- Includes one DC12 door controller and one PR500-Cotag proximity reader
- Attractive price
- Minimum quantity of 10 kits per order



SiPass Entro Mifare Door Kit

- Includes one DC12 door controller and one AR6111-MX Mifare reader
- Attractive price
- Minimum quantity of 10 kits per order



SiPass Entro – Presentation Contents

SIEMENS

System overview

System features

System administration

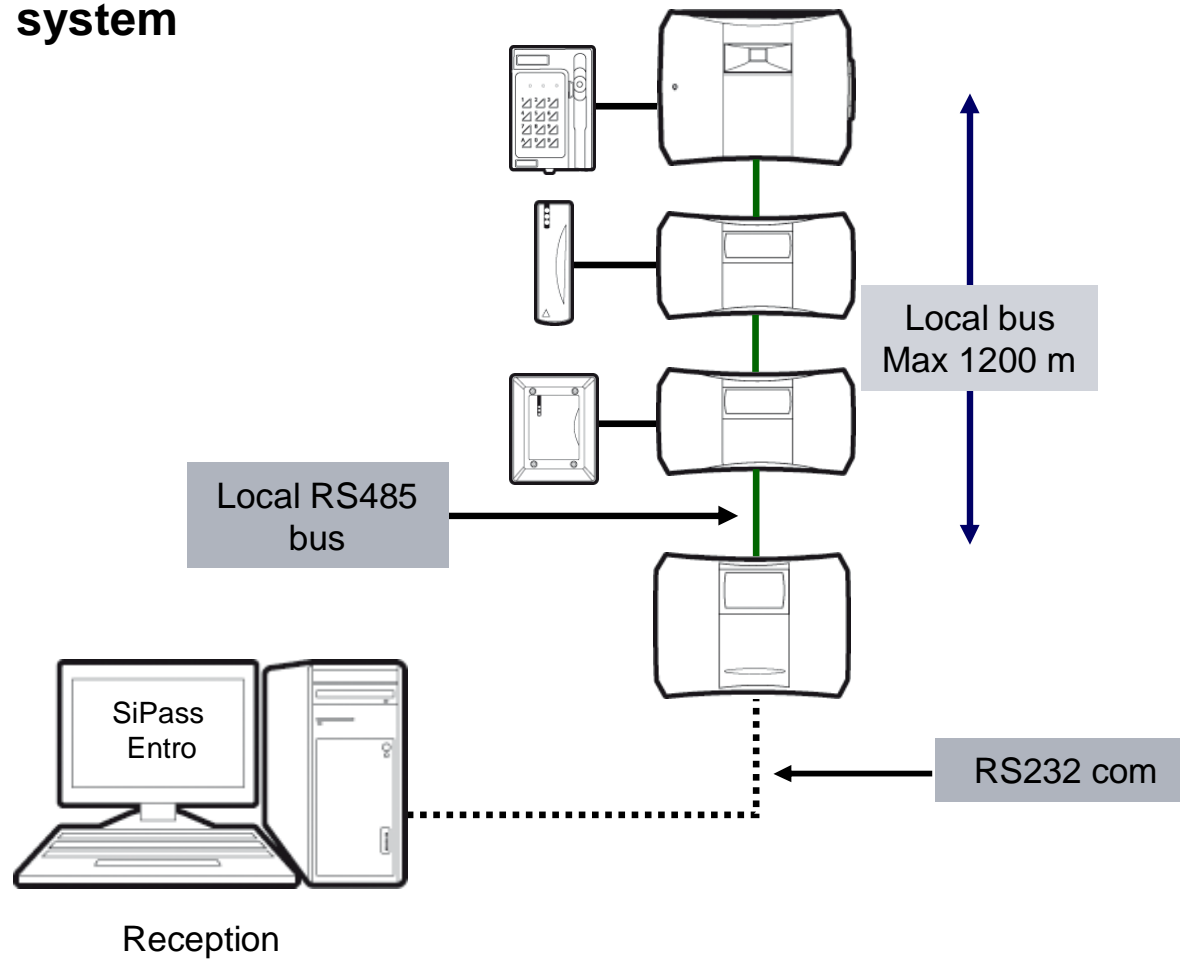
System hardware

System architecture



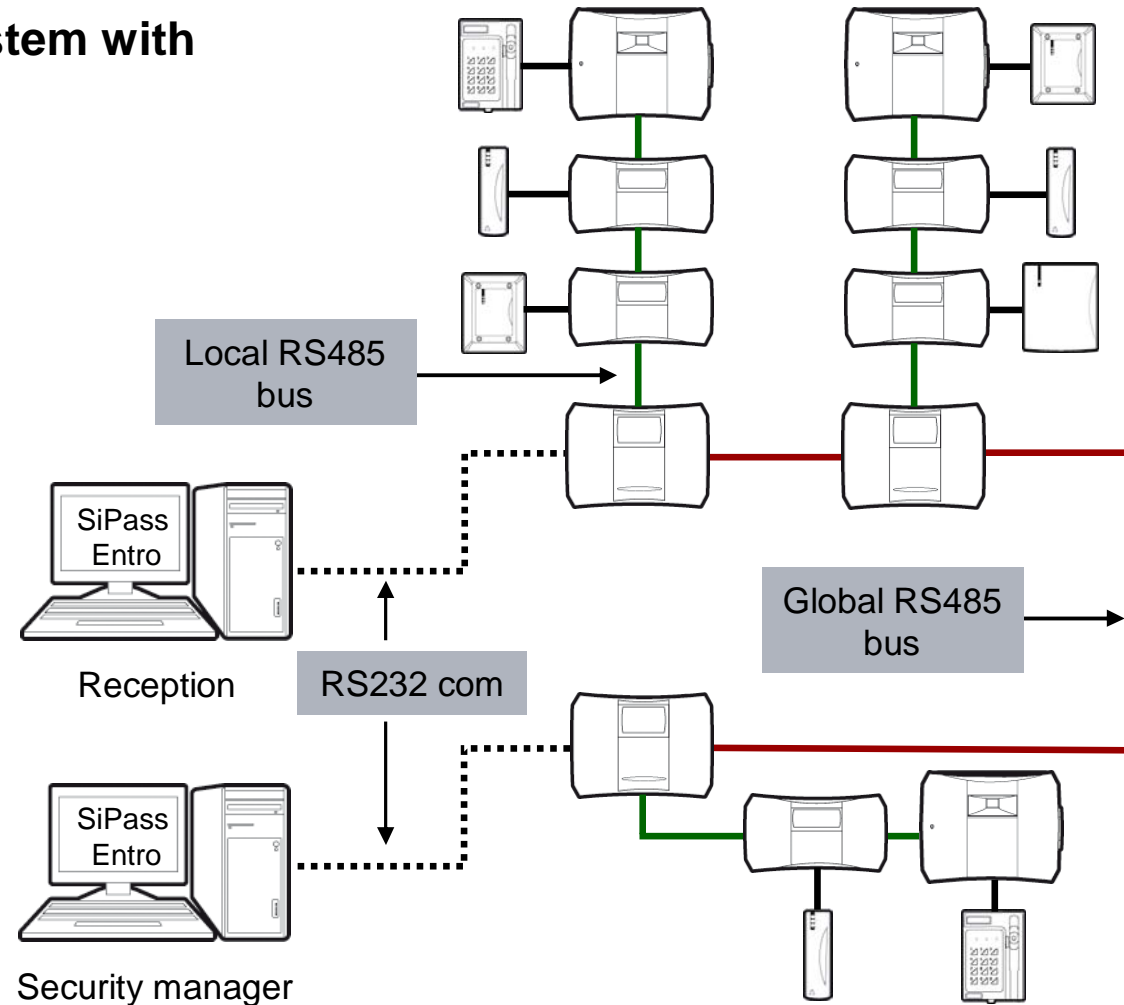
SiPass Entro – Configuration Example 1

Start with a small system



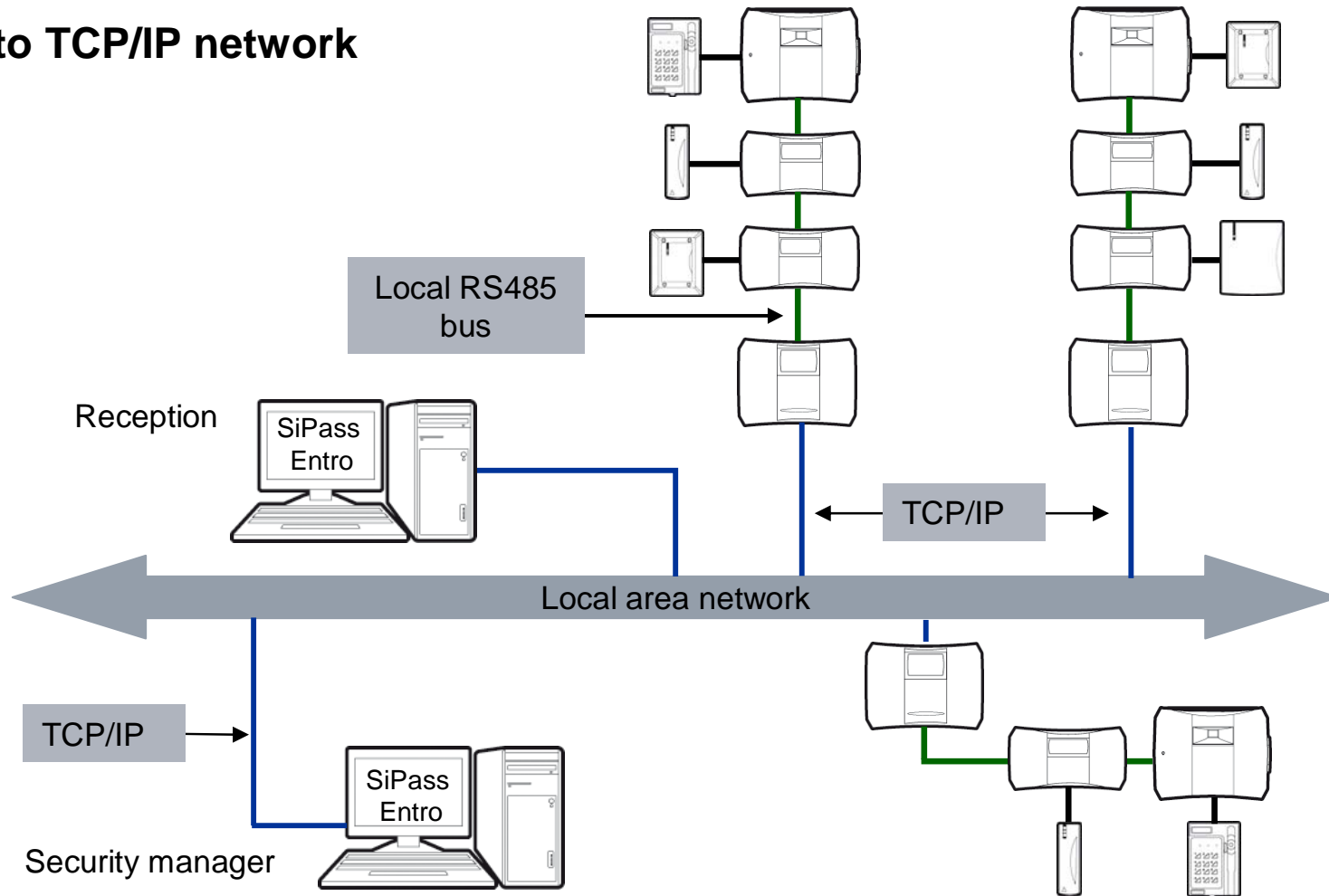
SiPass Entro – Configuration Example 2

Expand to a bigger system with
several SR35i units
(still using RS485)



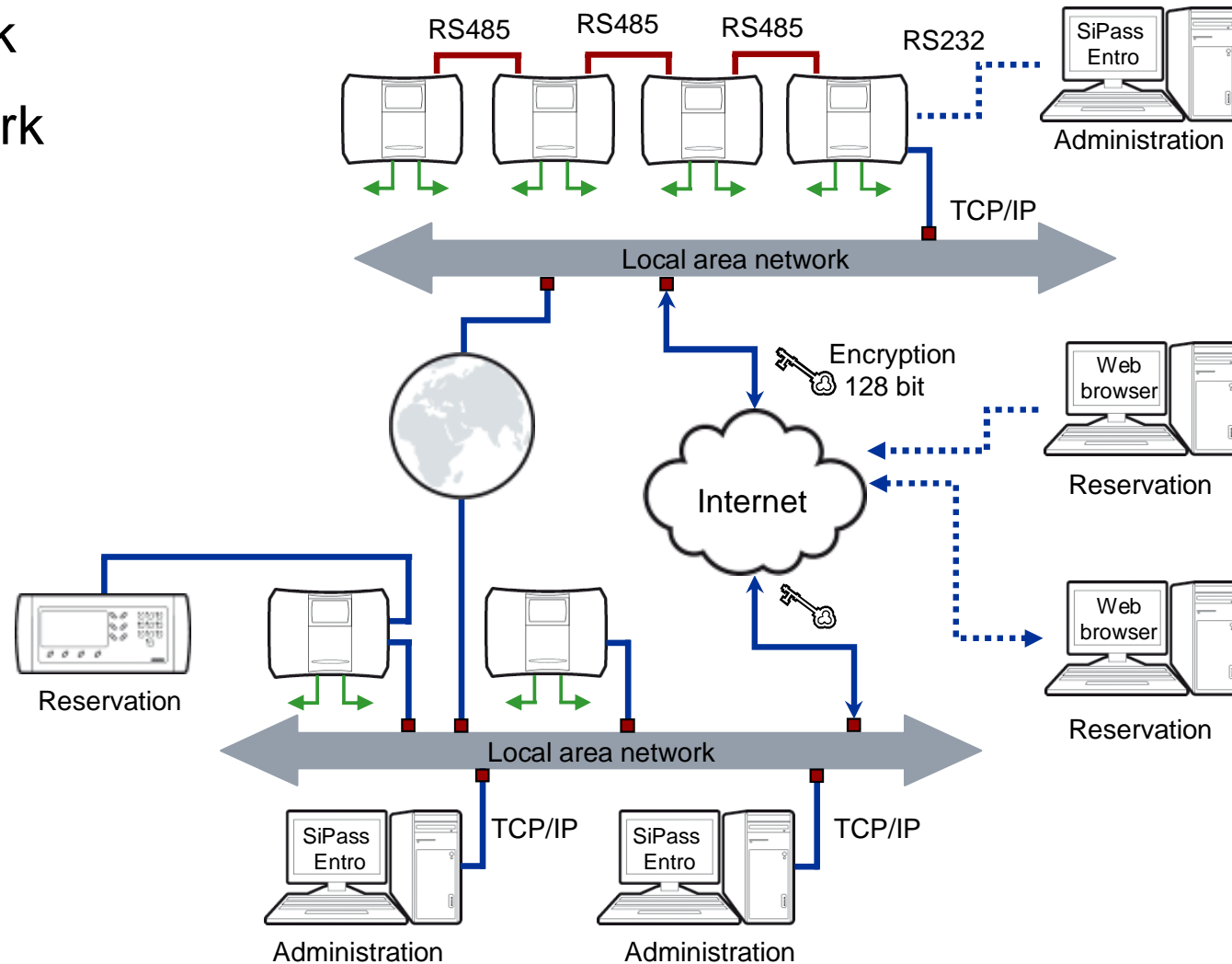
SiPass Entro – Configuration Example 3

Change over to TCP/IP network



SiPass Entro – A Truly Global System

Local network
Global network
Internet
Reservation



SiPass Entro – Summary of Main Benefits and USPs



- Comprehensive standard access control
- Photo ID card design and printing
- Unique and smart video recording capability
- Integration with intrusion alarm systems
- Easy viewing of cameras and recorded events
- Windows Server 2003/2008 for simplified multi-site management
- Facility reservation function
- Wireless capability

