

SIEMENS

SiPass® Entro



SiPass® Entro: Flexible, Scalable and User-friendly

- More than 6,500 systems sold so far, monitoring more than 60,000 doors in 20 countries
- Nine language versions available: English, German, French, Spanish, Dutch, Swedish, Danish, Norwegian, Finnish
- Has all the major access control features that the market requires
- Unique Web-based reservation feature
- BAPSI – Open TCP/IP software interface for third-party applications

SiPass® Entro: Applications

- Simplicity of administration makes SiPass® Entro the obvious choice for organizations of any size.
- The wide variety of card technology and readers available enable perfect adaptation to almost any environment, including:
 - Industrial and commercial facilities
 - Office buildings and public institutions
 - Residential complexes
 - Sports and leisure facilities



SiPass® Entro: Functional Highlights

SiPass® Entro software can manage up to 10,000 Entro systems/sites, each with up to:

- 512 doors
- 480 access groups
- 240 time plans
- 240 zones (alarm control, anti-passback, roll call, entrance limitations, interlock)
- 64 reservation objects



SiPass® Entro: System Overview

Different levels

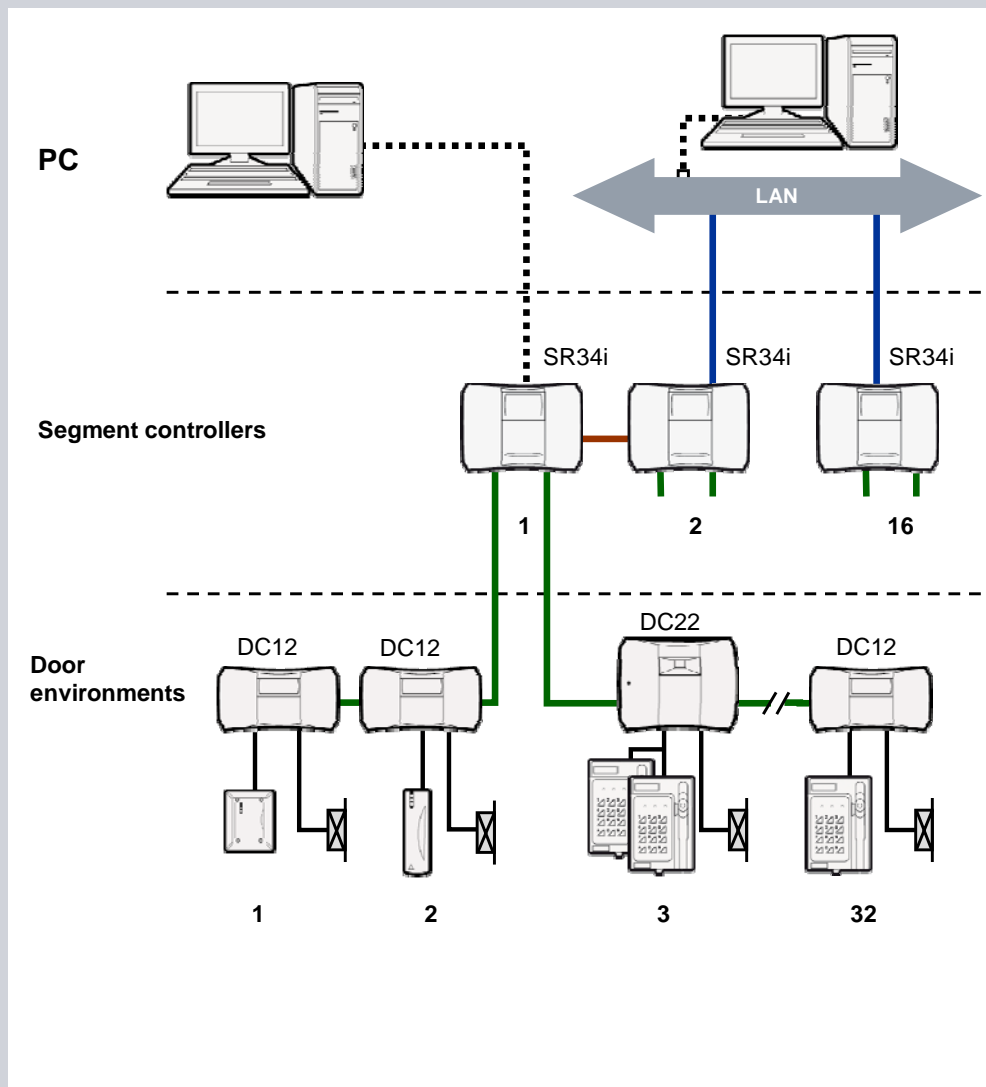
- PC for Entro software
- Segment controllers (SR34i)
- Door environments: door controllers (DC12, DC22) and readers

Communication

- RS232
- RS485
- Modem
- TCP/IP on LAN or WAN

System

- Mirrored database between PC <-> SR34i <-> SR34i
- Event buffer (10,000 latest events)



SiPass® Entro: System Components

Segment controller

- SR34i/4
- SR34i/8
- SR34i/16
- SR34i/32



Administration

- Software
- USB-RIF/2



Door Terminal

- DC22
- DC12
- DC01



Relay central

- IOR6



Readers and keypads



Keypad M43



Prox+PIN BC43



Prox PR500



Prox HD500



Hands Free HF500

Prox Codoor

- PD30-EM
- PD40-EM



Reservation

- IP811
- CF8



SR34i Segment Controller



- A range of capacity levels (4, 8, 16 or 32 doors)
- Standard interfaces:
 - RS232 for PC or modem
 - RS485 for global and local bus
 - TCP/IP for PC and global bus on LAN/WAN
- Integrated Web server
- Integrated keyboard and display for programming and system feedback
- Up to 16 controllers in one system

DC22 Door Controller



- Display for status and error codes
- Reader interface for BC-Link, Clock&Data, Wiegand (26 and 32 bit)
- Monitors door status in terms of open/closed and locked/unlocked
- Six relay outputs for 2 x lock, 2 x warning, alert and alarm
- Input for ASF (alarm status feedback)
- Can store 100 priority cards
- Upgradeable flash memory

DC12 Door Controller



- Display for status and error codes
- BC-Link, Clock&Data or Wiegand reader interface
- Monitors open/closed status of doors
- One relay output for lock
- Can store 100 priority cards
- Upgradeable flash memory

PD30-EM and PD40-EM Prox Codoor



- System Prox Codoor
- EM reading technology
- Cable connection (no battery required)
- Low-cost solution as it's a door controller, reader and lock in one

InfoPoint IP810 and IP811



IP810

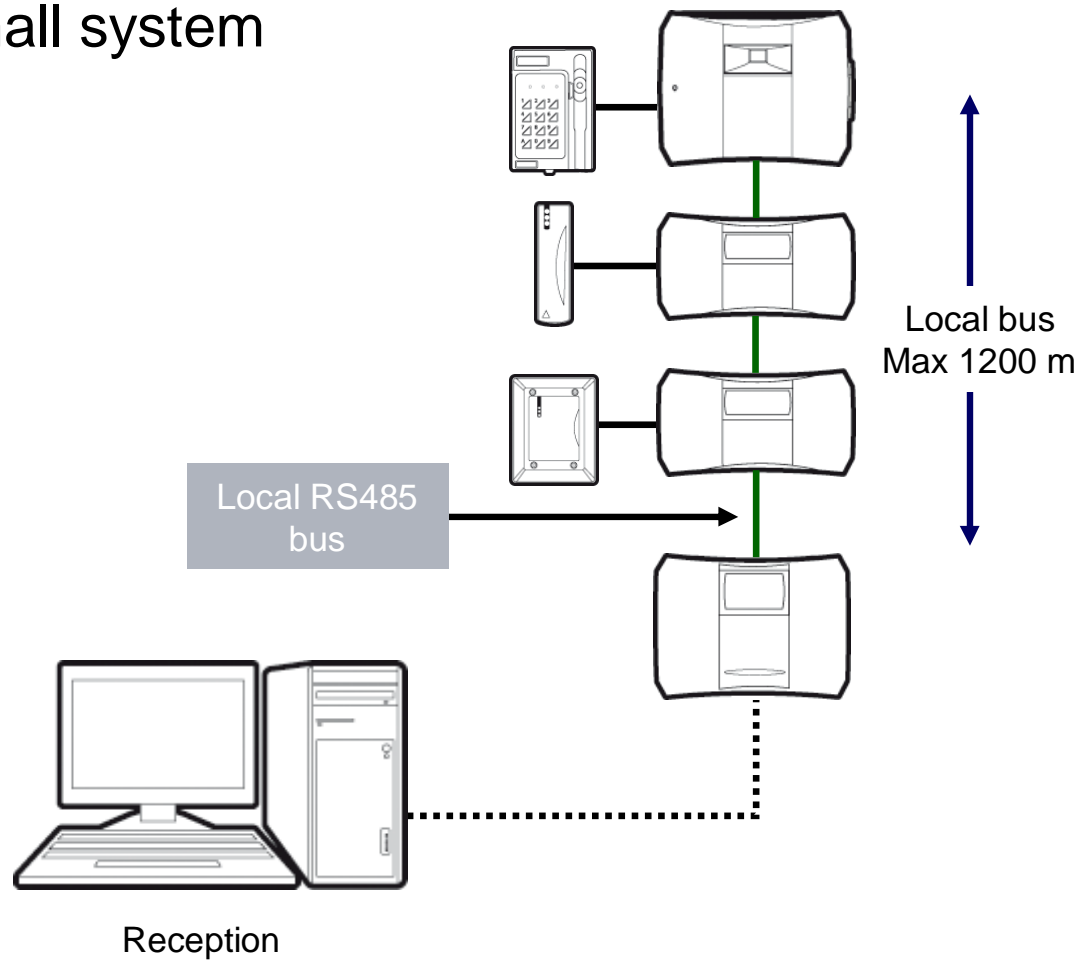


IP811

- Reservation terminal with Web functions
- TFT color screen (400x200)
- Menu driven, easy to use
- Several languages
- TCP/IP connection 10 Mbit
- Integrated proximity reader for login (EM or Cotag)

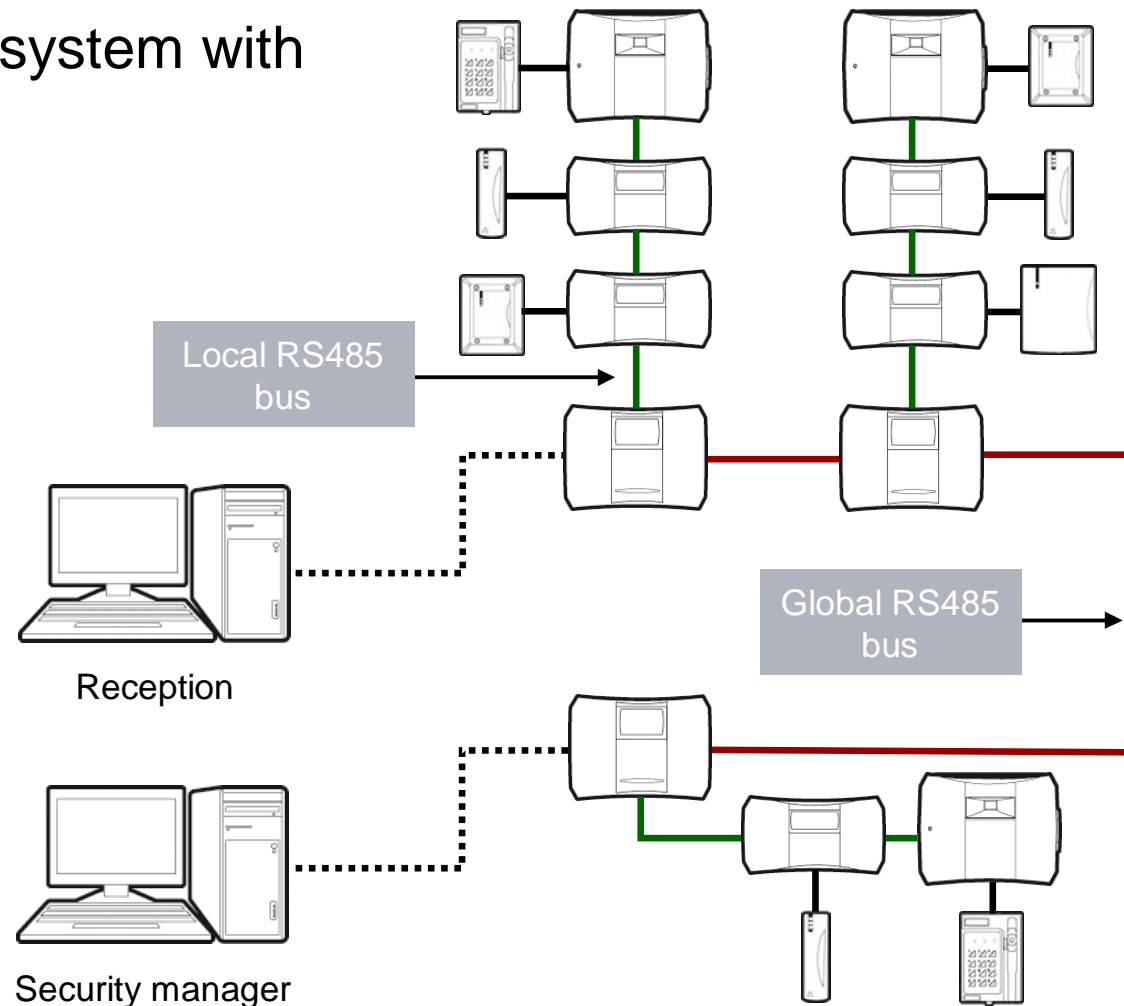
SiPass® Entro: Configuration Example 1

Start with a small system



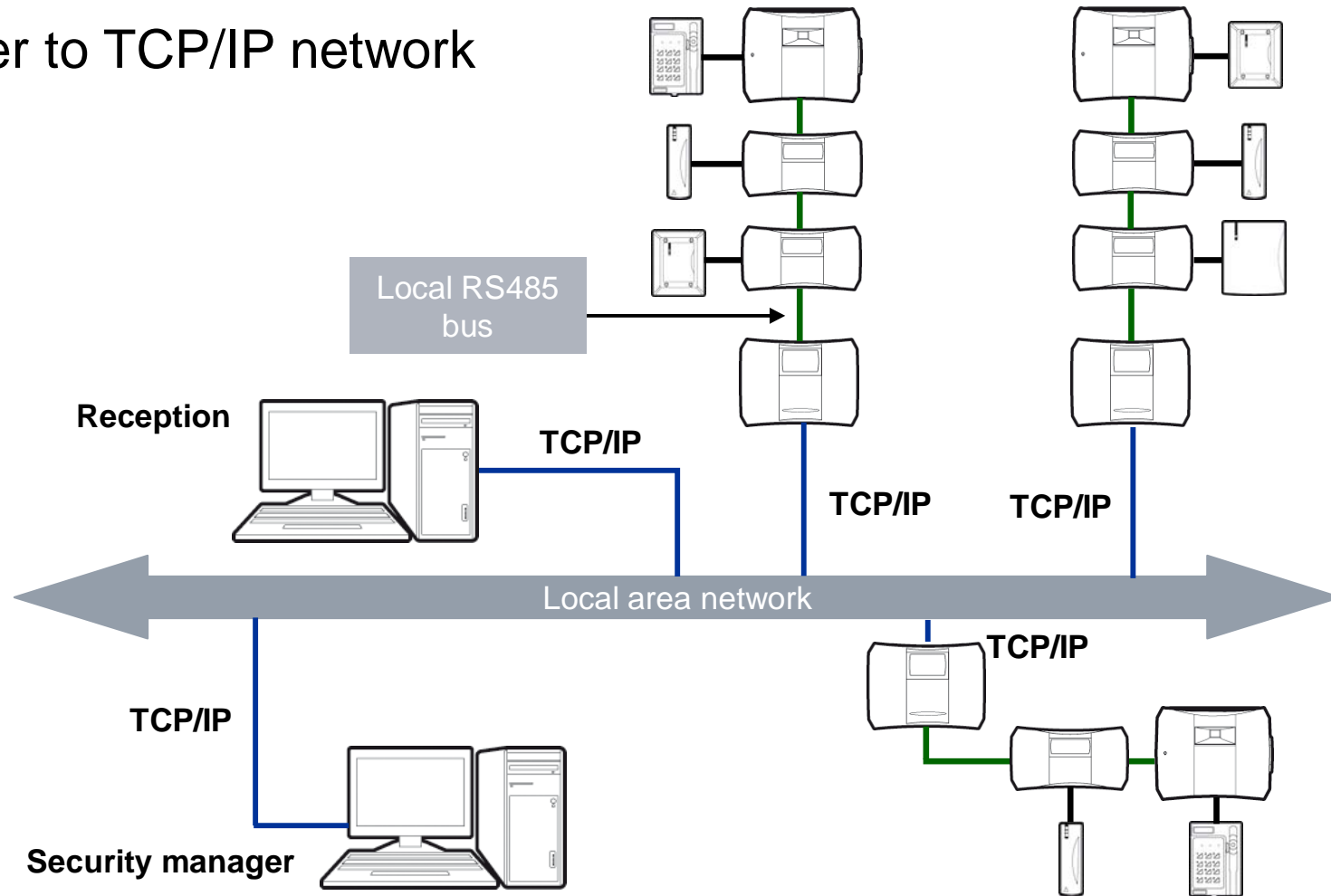
SiPass® Entro: Configuration Example 2

Expand to a bigger system with several SR34i units (still using RS485)



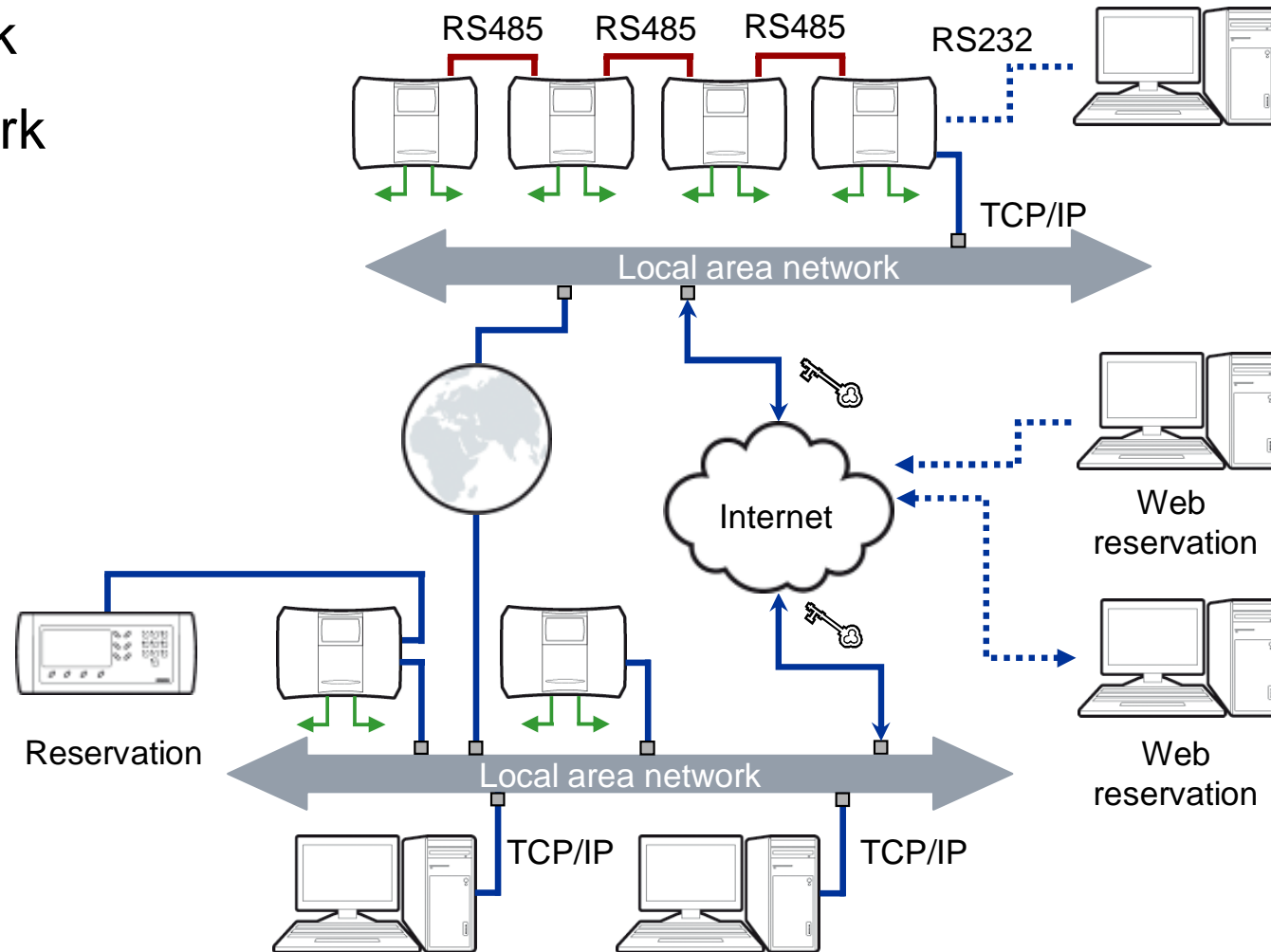
SiPass® Entro: Configuration Example 3

Change over to TCP/IP network



SiPass® Entro: A Truly Global System

Local network
 Global network
 Internet
 Reservation



Secure Your Premises with SiPass® Entro

- A cost-effective way to achieve a higher level of security
- Contact your SiPass® dealer for more information
- Visit our Web site:
www.siemens.com/access

