



AR6473-RX, AR6473-MT, AR6473-MT

Access Control

Card reader

Access control reader for contact less reading technologies in 125 kHz and 13.56 MHz frequency

- Access Control reader with CerPass reader protocol
- Vacuum-Fluorescent-Display
- Application with SiPass, CerPass and SIPORT

The card reader types AR6473-RX/-MT/-LE are part of the Prestige series in the awarded Access reader design. The readers are designed for access control application using CerPass reader protocol.

A 2x20 digit Vacuum-Fluorescent-Display allows to display 10 user specific information such as "Not valid" or "Enter PIN". In addition the reader is equipped with a keypad for PIN-code entry.

The Prestige readers are available equipped with reading modules for contact less standard technologies in 125 kHz (Miro, CerPass Proximity, Hitag 1 and Hitag 2), 13.56 MHz frequency (ISO14443A - Mifare[®], my-id proximity) and 13.56 MHz frequency (Legic[®]).



Industrie Forum Design, Hannover
IF Design Award Winner 2001



AR6473-xx card reader for contact less reading technologies (125kHz and 13,56MHz)

- Prestige card reader for access control application
- 2x20 digits Vacuum-Fluorescent-Display for displaying of 10 user specific information
- Information texts can be entered using the configuration tool (LAN interface)
- Firmware update using configuration tool
- Keypad, 12 keys: 10 keys 0 – 9, C and E key (function keys are not active)
- Card readers can be connected to the access control systems **SiPass**, **CerPass** and **SIPORT**.
- RS-485 interface with CerPass reader protocol, reader address 1-15 selectable
- Supplied either via power supply unit of door controller / RIM or an external power supply
- Information to be read out of cards:
 - SiPass and CerPass: max. 10-digit card information
 - SIPORT: max. 13 digit card information
- Tamper contact
- "Touch and Go" operation

AR6473-RX (125kHz)

- 125 kHz technology
- Reading of unique ID number of contact less Miro¹, Hitag1 and Hitag2 cards as well as the code of CerPass Proximity cards
- Reads the personalised ID-number of Hitag1 and Hitag2 ID-cards. The read ID numbers are not compatible with the ID numbers read by the card readers AR618x-RX.
- Reading distance up to 5 cm, depending on installation surroundings²

AR6473-MT (13,56MHz: ISO14443A)

- 13,56 MHz technology
- Reading of unique ID-number of contact less ISO14443A - Mifare[®] and my-id proximity (SLE55R04, SLE55R16) cards
- Reading of personalised ID-number of Mifare[®] (data in sector/blocks of the Mifare[®] chip)
- Reading distance up to 4 cm, depending on installation environment²

AR6473-LE (13,56MHz: Legic[®])

- 13,56 MHz technology
- Reads the unique serial number of Legic[®] proximity ID-cards (Default setting)
- Reads personalised information out of a personalised segmented Legic[®] card. Set up parameters – segment number, LGH (Legic Group Header), format - has to be changed via the serial interface of the reader module.
- Initialisation of the card reader using SAM card
- Reading distance up to 4 cm, depending on installation surroundings²

¹ Only in combination with SIPORT systems.

² Depending of the used transponders (size, assembly) a decrease of the reader's range is possible.

Compatibility

By use of the reader interface RS-485 with CerPass reader protocol.

	CerPass	SiPass	SIPORT		
	CC30xx	DRI	DC2000	AC4000	K24
AR6473-RX AR6473-MT AR6473-LE	✓	✓	✓	✓	-

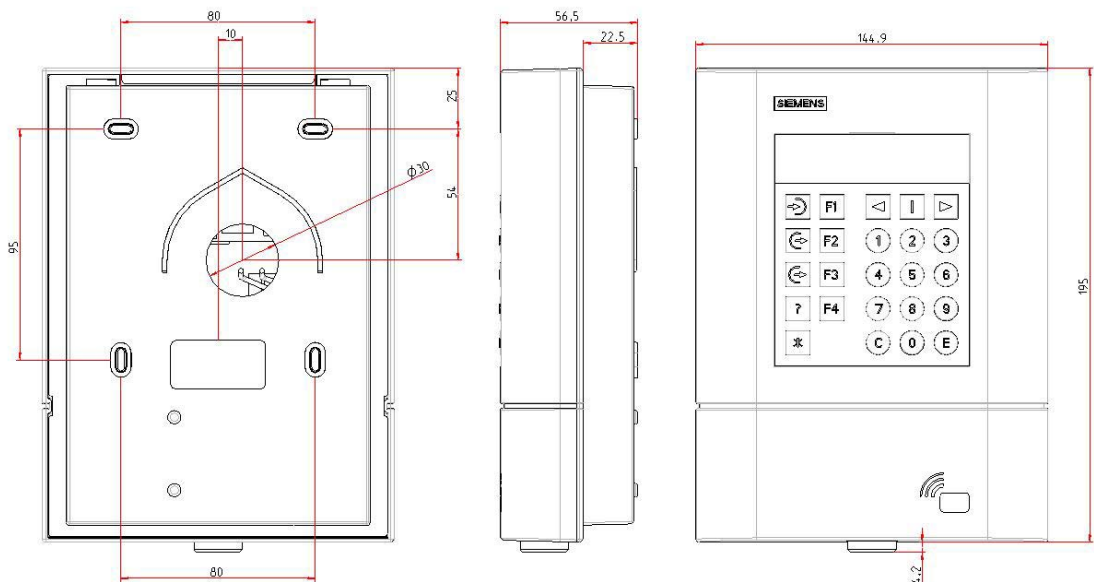
Installation

Recommended for wall installation on even surface. For installation and connection please follow the instructions of the operating manual.


A wall-mounting bracket with a 15° angle is available as an option.

Dimensions (in mm)

AR6473-xx



Technical data

Power supply	10 – 30 VDC
Power consumption	5 W (24 VDC Power supply)
	10 W (10VDC Power supply)
Interfaces	
RS-485	CerPass reader protocol
10Base-T	Configuration interface (RJ-45)
Fuse	F1: T1000mA / 250VAC
Operating temperature	-20 to +60 °C
Keypad	yes, > 1.000.000 operations
Display	Vacuum Fluorescent Display, 2 lines, 20 digits per line
Protection class	IP54, IP65 with gasket
Standards	
Conforming	to VDE 0830 i.e. separate door control unit with power supply, detached from the reader terminal
Dimensions in mm (h x w x d)	195 x 150 x 56
Colour	similar RAL9006, white aluminium
Material	PC / ABS plastic (injection moulding), varnish
Relative humidity	95% (non condensing)

Details for ordering

Type	Part no	Designation	Weight
AR6473-RX	6FL7174-8AB	AR6473-RX – Contact less reader for access control and time recording, with vacuum-fluorescent-display, PIN-code keypad, for card technologies Miro, CerPass Proximity, Hitag1 and Hitag2 (125kHz)	0,61 kg
AR6473-MT	6FL7174-8AC	AR6473-MT – Contact less reader for access control and time recording, with vacuum-fluorescent-display, PIN-code keypad, for card technology ISO14443A: Mifare® and my-id proximity SLE55R04/16 (13.56 MHz)	0,61 kg
AR6473-LE	6FL7174-8AD	AR6473-LE – Contact less reader for access control and time recording, with vacuum-fluorescent-display, PIN-code keypad, for card technology Legic® (13.56 MHz)	0,61 kg
ARZ6600-PS	6FL7172-8DA	External power supply 12 VDC / 10 W in a aluminium housing	0,8 kg
ARZ6600-W1	6FL7172-8DD	Wall-mounting bracket 15° angle for reader AR6543-xx, AR664x-xx, Zincor steel, varnished	0.2 kg
	6FL7195-3QC02-1EN0	Miro card, white, blank (100 pcs.)	
	6FL7195-3AU02-1EN0	Hitag1 card, white, blank, uncoded (100 pcs.)	
	GBQ:507024	DZ3022 proximity card, white, blank	
	6FL7195-3VU02-1DN0	Mifare® card, white, blank, uncoded (100 pcs.)	

Issued by
Siemens Gebäudesicherheit GmbH & Co. oHG
D-76187 Karlsruhe

www.sbt.siemens.com

© 2003 Copyright by
Siemens Building Technologies AG
Data and design subject to change without notice.
Supply subject to availability.

Printed in the Federal Republic of Germany
on environment-friendly chlorine-free paper.

Document no. **A24205-A335-B156**
Edition 10.2003