



AR6543-RX
AR6543-MT



ID-Card Reader

Access control and time recording for contact less reading technologies in 125 kHz and 13.56 MHz frequency

The card reader types AR6543-RX/MT are part of the Prestige series in the new Access reader design.

The readers are designed for access control and time recording applications.

A 2x20 digit Vacuum-Fluorescent-Display allows to display date and time, booking reason as well as user specific information (such as time balances, text messages etc.). In addition the reader is equipped with 9 function keys and a keypad for PIN-code entry.

The readers are available equipped with reading modules for contact less standard technologies in 125 kHz (Miro, CerPass Proximity, Hitag 1 and Hitag 2) and 13.56 MHz frequency (ISO14443A - Mifare® and SLE55R04/16 -).



Industrie Forum Design, Hannover
IF Design Award Winner 2001

AR6543-RX/-MT card reader for contact less reading technologies (125kHz und 13,56MHz)



- Card reader for access control and time recording
- Designed for the access control and time recording systems SIPOINT NT Access / Time-Recording / Time-Rec.-SAP and SIPOINT NT Light
- 2x20 digits Vacuum-Fluorescent-Display for displaying of date/time, booking reason or user specific information (such as time balances or messages)
- 5 function keys for standard functions (e.g. coming / leaving etc.)
- 4 freely programmable function keys, each of them capable of 8 different functions (e.g. special absence reasons, extended time balances)
- Extensive parameterisation possibilities for badge data, card formats, PIN, display messages etc.
- Reader firmware can be downloaded from the SIPOINT system via reader interface
- For connection to the door control units DC2000, K24 and AC4000, data transmission via RS485-party-line (2 wire), pluggable termination resistor
- BPA9+ -reader protocol (reader address 1 to 4)
- Voltage supply via power supply unit of door controller
- Sabotage contact
- "Touch and Go" operation

AR6543-RX (125kHz)

- 125 kHz technology
- Reading of unique ID number of contact less Miro, Hitag1 and Hitag2 cards as well as the code of CerPass Proximity cards
- Reading of personalised ID-number of Hitag1 and Hitag2 cards (Hitag2 is always operated in password mode)
- Reading distance up to 7 cm, depending on installation surroundings

AR6543-MT (13,56MHz: ISO14443A)

- 13,56 MHz technology
- Reading of unique ID-number of contact less ISO14443A - Mifare® and SLE55R04, SLE55R16 - cards
- Reading of personalised ID-number of Mifare® (data in sector/blocks of the Mifare® chip) and SLE55R04, SLE55R16 cards (data in public data blocks)
- Reading distance up to 5 cm, depending on installation surroundings

Installation

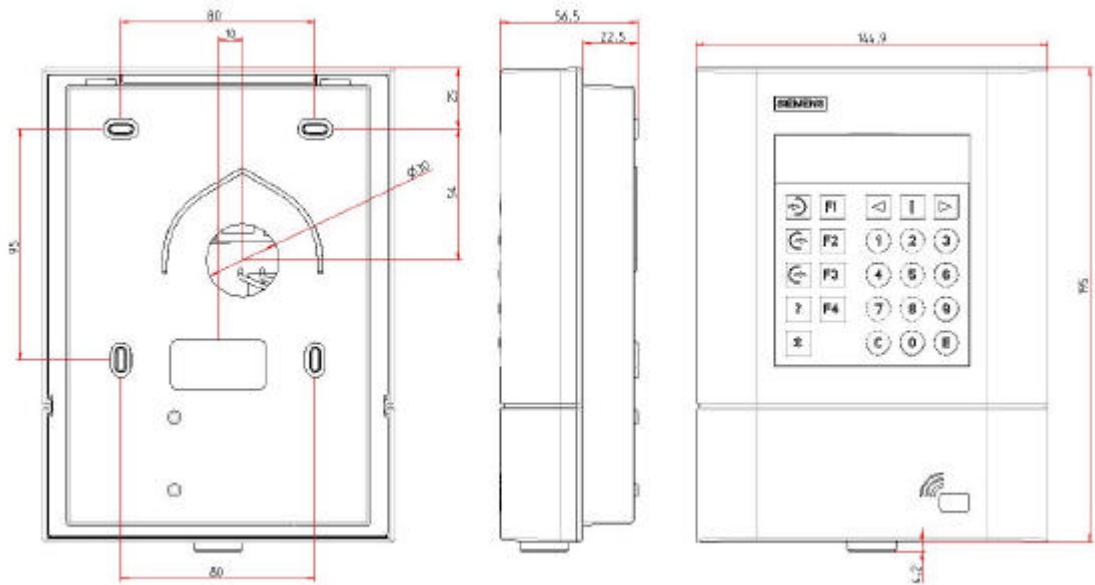
Installation is foreseen for an even mounting surface using the gasket included in the scope of delivery (necessary for IP65 installation).

The reader is connected to the door controller DC2000 / AC4000 / K24 via RS485, 2-wire.

A wall-mounting bracket with a 15° angle is available as an option (IP65 only with use of cable entry (made of rubber, part of delivery)).

Dimensions (mm)

AR6543-xx



Technical data AR6543-RX/MT

Voltage supply	12 - 24 V AC/DC (10,2 – 27,6V)
Power consumption	Approx. 350 mA (max. 5W)
Conforming	To VDE 0830 i.e. separate door control unit with power supply, detached from the reader terminal
Operating temperature	-20 to +60 °C
Display	Vacuum Fluorescent Display, 2 lines, 20 digits per line
Keypad	Yes > 1.000.000 operations
Colour	Similar RAL 9006, white aluminium
Protection class	IP54, IP65 with gasket
Relative humidity	95% (non condensing)
Standards	EN 60950, EN 300330, EN 300683
Connectivity	DC2000 / AC4000 or K24 door controller (BPA9+ protocol)
Dimensions	150 x 195 x 56 (W x H x D) mm
Material	PC / ABC plastic (injection moulding), varnished

Part numbers

Type	Part-number	Description	Net weight (approx.)
AR6543-RX	6FL7172-8AA	AR6543-RX – Contact less reader for access control and time recording, with vacuum-fluorescent-display, 9 function keys and PIN-code keypad, for card technologies Miro, CerPass Proximity, Hitag1 and Hitag2 (125kHz)	1.30 kg
AR6543-MT	6FL7172-8AC	AR6543-MT – Contact less reader for access control and time recording, with vacuum-fluorescent-display, 9 function keys and PIN-code keypad, for card technology ISO14443A: Mifare® and SLE55R04/16 (13.56 MHz)	1.30 kg
	6FL7195-3QC02-1EN0	Miro card, white, blank (100 pcs.)	
	6FL7195-3AU02-1EN0	Hitag1 card, white, blank, uncoded (100 pcs.)	
	GBQ:507024	DZ3022 proximity card, white, blank	
	6FL7195-3VU02-1DN0	Mifare® card, white, blank, uncoded (100 pcs.)	
ARZ6600-HZ	6FL7172-8DB	Heating, 12Volt, 20W (necessary within outdoor installations)	0.3 kg
	6FL7163-8AN	Power supply for heating ARZ6600-HZ	0.7 kg
ARZ6600-W1	6FL7172-8DD	Wall-mounting bracket 15° angle for reader AR6543-xx, AR664x-xx, Zincor steel, varnished	0.2 kg

© Siemens Building Technologies AG
Subject to change