



AR6641-RX
AR6641-MT



ID-Card Reader

Access control for contact less reading technologies in 125kHz and 13,56MHz frequency

The card readers types AR6641-RX/-MT are part of the prestige series in the new Access reader design. They are specially designed for access control applications in combination with the access control system SIPOINT NT / SIPOINT NT light.

The readers are capable of stand-alone operation and dispose of an own RAM-memory for storage of badge data and access events. They are equipped with integrated door control functionality.

Connection to the SIPOINT system can either be via an RS485-interface or via an LAN-adapter, which can be integrated into the reader.

The readers are available equipped with reading modules for contact less standard technologies in 125 kHz (Miro, CerPass Proximity, Hitag 1 and Hitag 2) and 13.56 MHz frequency (ISO14443A - Mifare® and SLE55R04/16 -).



Industrie Forum Design, Hannover
IF Design Award Winner 2001

AR6641-RX/-MT card reader for contact less reading technologies (125kHz und 13,56MHz)



- Card reader for access control
- Designed for the access control and time recording systems SIPORT NT Access / Time-Recording and SIPORT NT Light
- 3 LEDs (yellow, red, green) for status display
- Stand-alone reader with integrated door control functionality
- Battery buffered memory (128 kB) for storage of badge data and access profiles as well as bookings and alarm in offline operation
- 4 digital inputs for door monitoring (door contact, access completed signal, door handle contact, REX-button connection)
- Relay output for connection of door opener
- Reader firmware can be downloaded from the SIPORT system via reader interface
- Connection to SIPORT system via RS485-interface or via an optional LAN-adaptor (pluggable MNET-module) that can be integrated into the reader
- BPA9+ reader protocol
- Sabotage contact
- "Touch and Go" operation

AR6641-RX (125kHz)

- 125 kHz technology
- Reading of unique ID number of contact less Miro, Hitag1 and Hitag2 cards as well as the code of CerPass Proximity cards
- Reading of personalised ID-number of Hitag1 and Hitag2 cards (Hitag2 is always operated in password mode)
- Reading distance up to 7 cm, depending on installation surroundings

AR6641-MT (13,56MHz: ISO14443A)

- 13,56 MHz technology
- Reading of unique ID-number of contact less ISO14443A - Mifare® and SLE55R04, SLE55R16 - cards
- Reading of personalised ID-number of Mifare® (data in sector/blocks of the Mifare® chip) and SLE55R04, SLE55R16 cards (data in public data blocks)
- Reading distance up to 5 cm, depending on installation surroundings

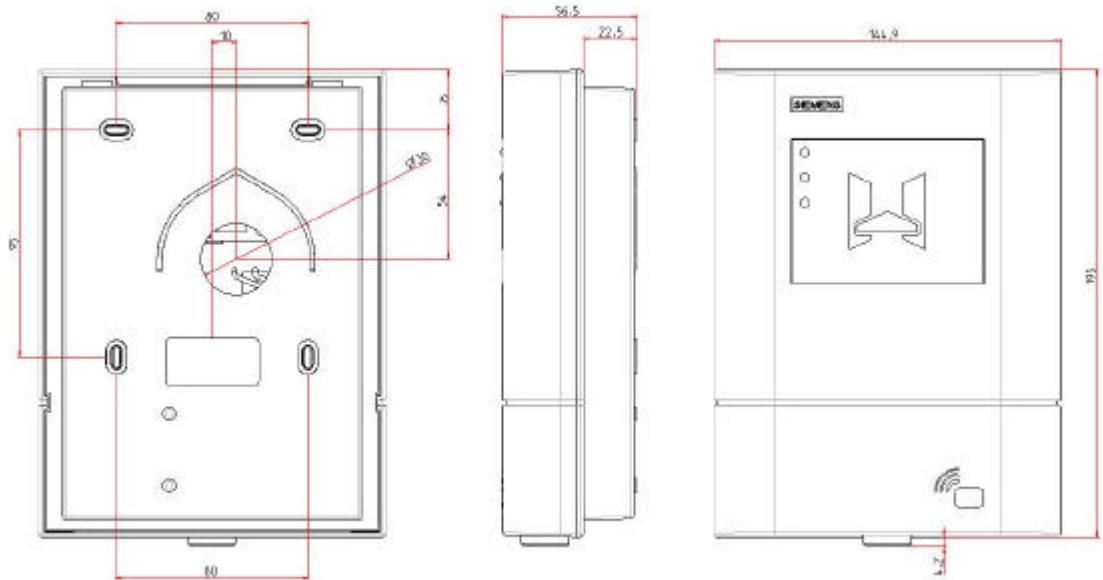
Installation

Installation is foreseen for an even mounting surface using the gasket included in the scope of delivery (necessary for IP65 installation).

A wall-mounting bracket with a 15° angle is available as an option (IP65 only with use of cable entry (made of rubber, part of delivery)).

Dimensions (mm)

AR6641-xx



Technische Daten

AR6641-RX/MT

Voltage supply	12 - 24 V AC/DC (10,2 – 27,6V)
Power consumption	approx. 300 mA (max. 5W)
Operating temperature	-20 to +60 °C
Colour	Similar RAL 9006, white aluminium
Protection class	IP54, IP65 with gasket
Relative humidity	95% (non condensing)
Standards	EN 60950, EN 300330, EN 300683
Connectivity	BPA9+ protocol
Dimensions	150 x 195 x 56 (W x H x D) mm
Material	PC / ABC plastic (injection moulding), varnished

Part numbers

Type	Part-number	Description	Net weight (approx.)
AR6641-RX	6FL7172-8BA	AR6641-RX – contact less reader for access control, stand-alone capability, memory 128kbytes, 3 LEDs for status display, for card technologies Miro, CerPass Proximity, Hitag1 and Hitag2 (125kHz), including separate power supply in aluminium housing	1.30 kg
AR6641-MT	6FL7172-8BD	AR6641-MT – contact less reader for access control, stand-alone capability, memory 128kbytes, 3 LEDs for status display, for card technologies ISO14443A Mifare® and SLE55R04/16 (13.56MHz), including separate power supply in aluminium housing	1.30 kg
	6FL7195-3QC02-1EN0	Miro card, white, blank (100 pcs.)	
	6FL7195-3AU02-1EN0	Hitag1 card, white, blank, uncoded (100 pcs.)	
	GBQ:507024	DZ3022 proximity card, white, blank	
	6FL7195-3VU02-1DN0	Mifare® card, white, blank, uncoded (100 pcs.)	
ARZ6600-HZ	6FL7172-8DB	Heating, 12Volt, 20W (necessary within outdoor installations)	0.3 kg
	6FL7163-8AN	Power supply for heating ARZ6600-HZ	0.7 kg
ARZ6600-W1	6FL7172-8DD	Wall-mounting bracket 15° angle for reader AR6543-xx, AR664x-xx, Zincor steel, varnished	0.2 kg
	6FL7045-8BA	MNET-Module, pluggable LAN-adapter for reader AR664x-xx	0.2 kg

© Siemens Building Technologies AG
Subject to change