



AR6643-RX
AR6643-MT



ID-Card Reader

Access control and time recording for contact less reading technologies in 125 kHz and 13.56 MHz frequency

The card reader types AR6643-RX/MT are part of the Prestige series in the new Access reader design.

The readers are capable of stand-alone operation and dispose of an own RAM-memory for storage of badge data and access events. They are equipped with integrated door control functionality.

A 2x20 digit Vacuum-Fluorescent-Display allows to display date and time, booking reason as well as user specific information (such as time balances, text messages etc.). In addition the reader is equipped with 9 function keys and a keypad for PIN-code entry.

The readers are available equipped with reading modules for contact less standard technologies in 125 kHz (Miro, CerPass Proximity, Hitag 1 and Hitag 2) and 13.56 MHz frequency (ISO14443A - Mifare® and SLE55R04/16 -).



Industrie Forum Design, Hannover
IF Design Award Winner 2001

AR6643-RX/-MT card reader for contact less reading technologies (125kHz und 13,56MHz)



- Card reader for access control and time recording
- Designed for the access control and time recording systems SIPORT NT Access / Time-Recording / Time-Rec.-SAP and SIPORT NT Light
- 2x20 digits Vacuum-Fluorescent-Display for displaying of date/time, booking reason or user specific information (such as time balances or messages)
- 5 function keys for standard functions (e.g. coming / leaving etc.)
- 4 freely programmable function keys, each of them capable of 8 different functions (e.g. special absence reasons, extended time balances)
- Stand-alone reader with integrated door control functionality
- Battery buffered memory (128 kB) for storage of badge data and access profiles as well as bookings and alarm in offline operation
- 4 digital inputs for door monitoring (door contact, access completed signal, door handle contact, REX-button connection)
- Relay output for connection of door opener
- Reader firmware can be downloaded from the SIPORT system via reader interface
- Connection to SIPORT system via RS485-interface or via an optional LAN-adapter (pluggable MNET-module) that can be integrated into the reader)
- BPA9+ reader protocol
- Sabotage contact
- "Touch and Go" operation

AR6643-RX (125kHz)

- 125 kHz technology
- Reading of unique ID number of contact less Miro, Hitag 1 and Hitag 2 cards as well as the code of CerPass Proximity cards
- Reading of personalised ID-number of Hitag1 and Hitag2 cards (Hitag2 is always operated in password mode)
- Reading distance up to 7 cm, depending on installation surroundings

AR6643-MT (13,56MHz: ISO 14443A)

- 13,56 MHz technology
- Reading of unique ID-number of contact less ISO14443A - Mifare® and SLE55R04, SLE55R16 - cards
- Reading of personalised ID-number of Mifare® (data in sector/blocks of the Mifare® chip) and SLE55R04, SLE55R16 cards (data in public data blocks)
- Reading distance up to 5 cm, depending on installation surroundings

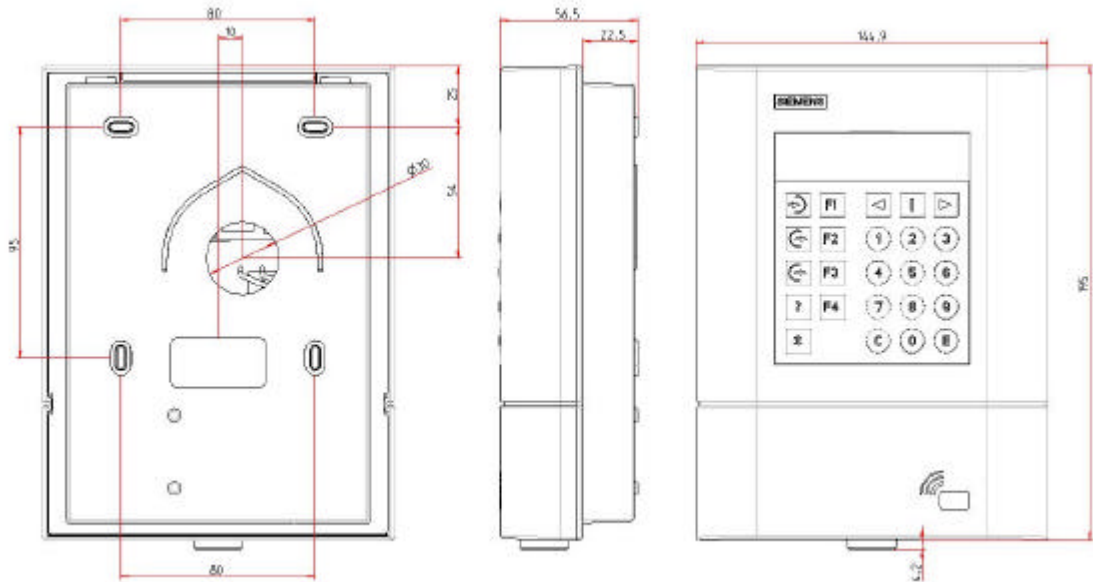
Installation

Installation is foreseen for an even mounting surface using the seal included in the scope of delivery (necessary for IP65 installation).

A wall-mounting bracket with a 15° angle is available as an option (IP65 only with use of cable entry (made of rubber, part of delivery)).

Dimensions (mm)

AR6643-xx



Technical data AR6643-RX/MT

Voltage supply	12 - 24 V AC/DC (10,2 – 27,6V)
Power consumption	Approx. 350 mA (max. 5W)
Operating temperature	-20 to +60 °C
Display	Vacuum Fluorescent Display, 2 lines, 20 characters per line
Keypad	Yes > 1.000.000 operations
Colour	Similar RAL 9006, white aluminium
Protection class	IP54, IP65 with gasket
Relative humidity	95% (non condensing)
Standards	EN 60950, EN 300330, EN 300683
Connectivity	BPA9+ protocol
Dimensions	150 x 195 x 56 (W x H x D) mm
Material	PC / ABC plastic (injection moulding), varnished

Part numbers

Type	Part-number	Description	Net weight (approx.)
AR6643-RX	6FL7172-8BB	AR6643-RX – Contact less reader for access control and time recording, stand-alone capability, memory 128kbytes, with vacuum-fluorescent-display, 9 function keys and PIN-code keypad, for card technologies Miro, CerPass Proximity, Hitag1 and Hitag2 (125kHz), including separate power supply in aluminium housing	1.30 kg
AR6643-MT	6FL7172-8BE	AR6643-MT – Contact less reader for access control and time recording, stand-alone capability, memory 128kbytes, with vacuum-fluorescent-display, 9 function keys and PIN-code keypad, for card technologies ISO14443A: Mifare® and SLE55R04/16 (13.56MHz), including separate power supply in aluminium housing	1.30 kg
	6FL7195-3QC02-1EN0	Miro card, white, blank (100 pcs.)	
	6FL7195-3AU02-1EN0	Hitag1 card, white, blank, uncoded (100 pcs.)	
	GBQ:507024	DZ3022 proximity card, white, blank	
	6FL7195-3VU02-1DN0	Mifare® card, white, blank, uncoded (100 pcs.)	
ARZ6600-HZ	6FL7172-8DB	Heating, 12Volt, 20W (necessary within outdoor installations)	0.3 kg
	6FL7163-8AN	Power supply for heating ARZ6600-HZ	0.7 kg
ARZ6600-W1	6FL7172-8DD	Wall-mounting bracket 15° angle for reader AR6543-xx, AR664x-xx, Zincor steel, varnished	0.2 kg
	6FL7045-8BA	MNET-Module, pluggable LAN-adapter for reader AR664x-xx	0.2 kg

© Siemens Building Technologies AG
Subject to change