



Cerberus® CerPass

Proximity chipcard reader

DA3022
DA3023

-
- **Data storage medium: Credit card size badge or key ring token with a microchip and 40 bit coding**
 - **Passive storage media without batteries**
 - **Very simple, convenient handling: The card is read without physical contact and consequently wear-free**
 - **Scanning ranges up to 20cm**
 - **Reader with PIN keypad for greater security**
 - **Reader status displayed by multi-colour LED**
 - **Audible read confirmation**
 - **Tamper protection**
 - **Connection via standard telephone cable**
 - **Attractive, compact housing**
 - **Reader cover available in dark grey or blue, other colours on request**
 - **Simple installation on any type of surface**

Application

The CerPass reader is the interface between an access control system and the system user. It reads the information stored on the card and transmits it to the CC30XX door controller.

Principle of operation

A microchip is laminated into the card that has the thickness of a standard ISO credit card. The code stored in the chip cannot be modified. The card contains no battery which ensures a long service life and environmental compatibility. When the card is put within the scanning range of the reader, the card transmits the data (card number) stored in the chip via a radio link to the proximity reader. The CerPass reader transmits the card data to the door controller where the identification and access decision are made.

A multicolour LED display and an internal buzzer provide information on the system response.

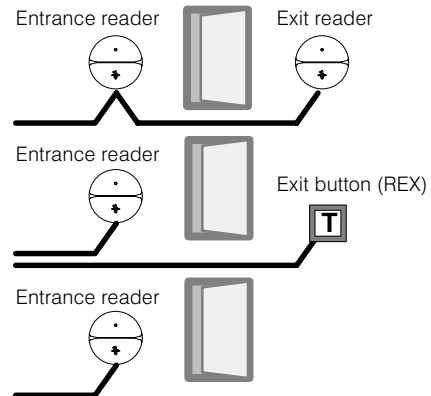
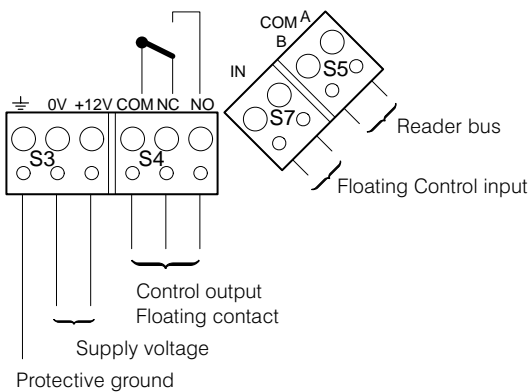
For applications with more stringent security requirements readers with a PIN keypad are used.

A tamper signal is triggered if an attempt is made to remove the reader cover. The power for the reader is supplied by the door controller. Local supply is also possible.

Design

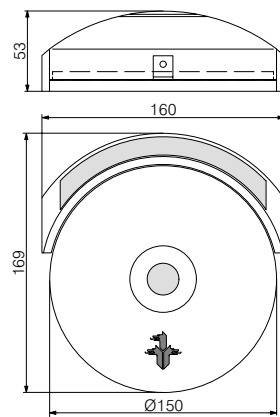
- Simple, modular design and easy installation
- Wiring is introduced from the back
- Auxiliary base for surface wiring
- Connection via plug-in screw terminals
- Safety screw protects against unauthorized opening of the reader
- Proximity reader designed for surface mounting
- All readers are available with PIN keypad.

Connection / Examples

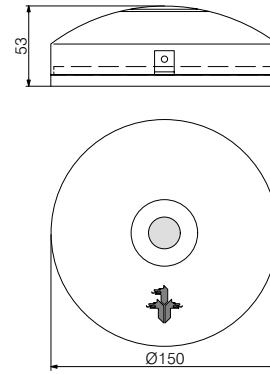


Dimensions

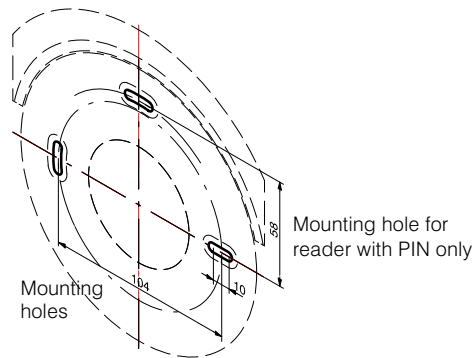
Reader with PIN keypad



Reader without PIN keypad



Installation



Details for ordering

	Type	Part no	Designation	Weight
Base	DA3022	506397	Proximity chipcard reader, 20cm	0.200kg
	DA3023	506407	Proximity chipcard reader, 10cm/PIN	0.260kg
	DAZ3021	506452	Reader cover, proximity, blue	0.080kg
	DAZ3022	506465	Reader cover, proximity, dark grey	0.080kg
	DAZ3023	506960	Reader cover, proximity, special colour (on request)	0.080kg
Accessories	DZ3021	497642	Proximity chipcard ISO CERBERUS	0.005kg
	DZ3023	497668	Proximity key ring token CERBERUS	0.010kg
	DAZ3000	491376	Tool for all reader models	0.100kg
	DAZ3041	506478	Auxiliary base, surface wiring	0.025kg
	DAZ3042	506481	Auxiliary base, surface wiring/PIN	0.040kg
	DAZ3100	506931	Reader heater without PIN	0.150kg
	DAZ3101	515935	Reader heater with PIN	0.170kg
	DAZ3150	507134	Rain hood for insert and proximity readers	0.100kg

Technical data

	DA3022	DA3023
Operating voltage (nom. 12Vdc)	8.5 to 15Vdc	
Operating current (typical values)		
- Quiescent	typ. 150mA	typ. 110mA
- Active (buzzer/relay)	max. 175mA	max. 150mA
Reading principle	proximity sensor	
Read direction or orientation	any	
Scanning range	up to 20cm	
Frequency	120kHz range	
Operation	without PIN keypad	with PIN keypad
Status indication by 3-color LED		
- orange steady	reader ONLINE and ready	
- orange flashing	fault or tamper contact open	
- red	card read, access denied	
- green	card read, access granted	
- green flashing	card read, enter PIN/PIN entered, read card	
Status signalization by buzzer		
- short, soft	card readable	
- laut	signalization of programmable events, e.g. door left open too long, access denied	
Reader relay	changeover contact, floating	
- contact rating	max. 0.8A/24Vdc	
- switching cycles	>20x10 ⁶	
Tamper switch	closed when cover is mounted	
Data line to controller	standard RS485 length max. 1000m, twisted pair, shield recommended	
Terminal block	0.2...1,5mm ² / AWG24...15	
Environmental conditions		
- Operating temperature	-15 to +55°C	
- Storage temperature	-40 to +80°C	
- Category of enclosure (IEC529)	IP54	
Colours		
- Reader base, black	RAL9005 (black)	
- Leserdeckel, dunkelgrau	RAL7021 (charcoal grey)	
- Reader cover, blue	RAL5010 (gentian blue)	
- Reader cover, special colour	RAL... (as specified)	