



Access control

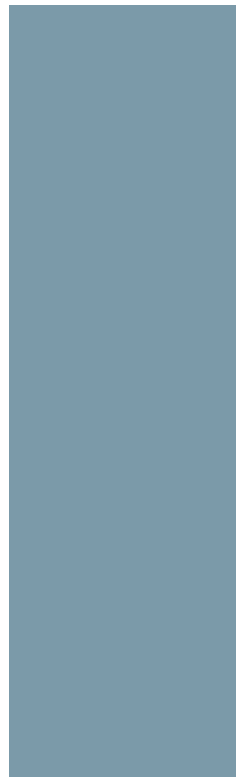
SiPass Single Door Products

Security made simple



Answers for infrastructure.

SIEMENS



SiPass Single Door Products – now you can forget your keys

Keys cause a lot of headaches. They are constantly getting lost, misplaced or copied without permission. And, of course, people forget to turn them in when they move out of their apartment or leave the company. It is both expensive and frustrating to repeatedly have to change the locks as a result of these kinds of security breaches. Simply managing multiple sets of keys is a time-consuming task, and there is always a risk that a set of keys will end up in the wrong hands.

SiPass® Single Door Products simplify the lives of buildings owners, managers, employees, tenants, and visitors by making it very easy to create key-free environments in which the right people are able to easily gain access to the right places, while the 'wrong people' are kept out.

Robust, reliable and cost-efficient devices for individual doors

The advantage of SiPass Single Door Products is that they eliminate the need to call a locksmith to change locks every time you have a security breach. When a code becomes too well known or a card gets lost, simply change the code or cancel the lost card and issue a new one. It couldn't be easier.

The SiPass Single Door Products range includes:

■ Standard codelocks

Standard codelocks are the easiest and most cost-efficient option for key-free security. They require no keys, cards or tags – users need only remember a 4-digit code.

■ Codoor codelocks

CD3500 and CD4000 are very attractive, battery-powered codelocks that incorporate a keypad, a locking device and a power unit in a single housing that fits directly onto an interior door.

■ Fingerprint Codoor

Fingerprint Codoor offers all the advantages of Codoor codelocks, with the additional benefit of being able to read fingerprints rather than codes. Unlike group-level codes, fingerprints are personal, which makes Fingerprint Codoor suitable for applications that require a very high level of security.

■ Compact card readers

Compact card readers offer a higher level of security than codelocks because – like fingerprints – the access cards they read are personalized. For an even higher level of security, our compact card readers can be set up so that they only unlock the door for people who both present a valid access card and enter their personal code.

■ The DC800 door controller

The DC800 is designed for split-mounted applications. It provides all the benefits of compact card readers but is a more flexible choice, as it can be used with a wide range of different readers and it can be programmed with or without a PC.

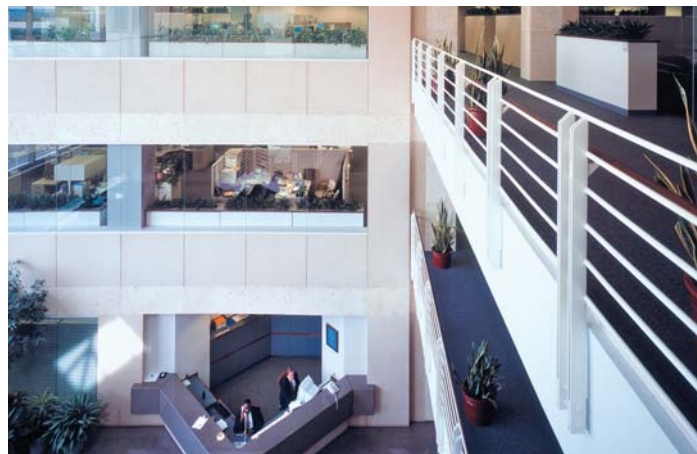
Highlights

- Key-free security
- Robust, impact-resistant housings
- Backlit keypads
- Strong, easy-to-press stainless steel buttons
- Surface or flush mounting options
- Cost-efficient
- Easy to install and use

Residential buildings



Commercial & office buildings





Standard codelocks

The SiPass® series of standard codelocks are a cost-efficient and effortless way of managing access to buildings or rooms. No keys, cards or tags are required users need only to remember a 4- or 6-digit code to enter. The units allow for multiple codes meaning that residents and/or employees can have one code and property caretaker, postman and other service providers can be issued another code.

With robust impact-resistant cast metal housing, durable easy-to-press stainless steel buttons with back lighting; standard codelocks are suitable for either outdoor or indoor use. Installation is quick and easy since all functions are included in the unit itself, once connected to an electric lock and a power source all programming is performed directly on codelocks buttons.

■ **Application examples:**

- Residential and office building entrances
- Warehouses
- Delivery bays
- Storage buildings and rooms
- Parking garages
- Meeting rooms, etc.

■ **K42**

The K42 codelock is the best-selling codelock in the world. It has the capacity of two 4-digit codes. One code can be used by residents or employees, while the other is used by the property caretaker, postman, newspaper delivery and other service providers, for example.

■ **K44 Duo**

The K44 Duo codelock is programmable for up to two doors. This is useful, for example, in situations such as when one wants to use the same keypad to control access both through a garage door and the entrance door located next to the garage door. The doors can either have the same code or different codes.

The K44 Duo has a total code capacity of 30 codes, (twenty 4-digit codes and ten 6-digit codes).

■ **K44 Duo additional features**

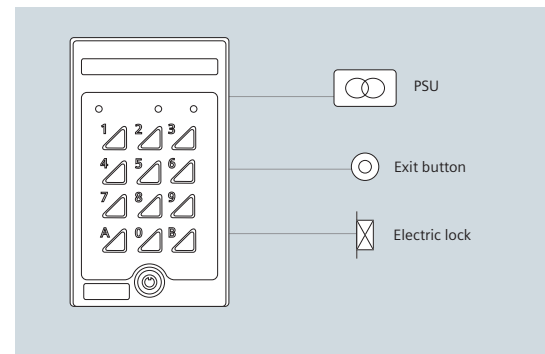
- Duress code
- Alarm output
- Blocking mode
- Tamper switch
- Doorbell button

The duress code unlocks the door but also activates the alarm output, which is useful when someone is forced to open a door.

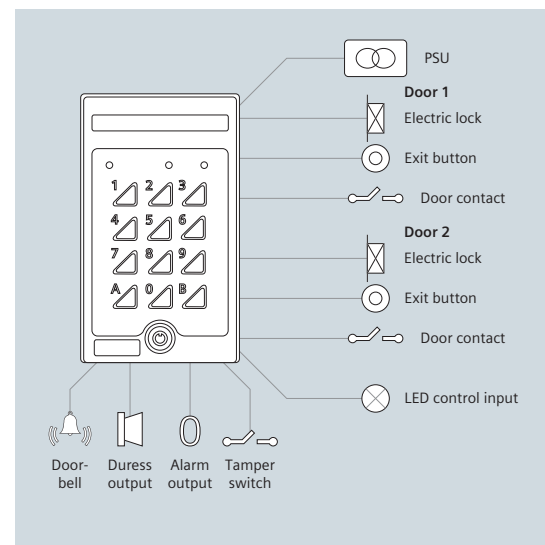
The alarm output can activate an alarm if the door does not close properly, or if the unit is being tampered with.

The blocking mode requires the correct code to be entered twice in a row to unlock the door if a wrong code is entered 3 times in a row.

K42



K44 DUO



Codoor codelock

Codoor codelock models CD3500 and CD4000 are all-in-one, battery-powered codelocks that fit directly onto a door. They are intended for indoor use only. Installation is very easy and usually takes less than 15 minutes. A major advantage of Codoor codelocks is that the installation does not require any cuts in the door or any cabling.

Codoor codelocks are suitable for applications such as doors to storage rooms, locker rooms, conference rooms, staff rooms, or even the doors to private offices.

When a Codoor is installed, the handle on the outside of the door is disengaged so that the door does not open when the handle is pressed down. The correct code must be entered in order to unlock the door. The handle on the inside of the door is not

affected by Codoor, however – it works normally for people leaving the premises. The programming of codes is carried out directly on the built-in keypad. The lock can be set manually to “unlocked”. Repeated keying of the wrong code blocks the Codoor from further attempts, and the correct code has to be entered two times in a row to open. Codoors operate using either standard alkaline or lithium-cell batteries.

Codoor CD3500 is designed to fit a Scandinavian lock case, with a distance of 105 mm to 116 mm between the center of the door handle and the center of the lock cylinder. Codoor CD4000 is designed to fit European lock cases that follow the DIN 18251 standard, with a distance of 72 mm between the center of the door handle and the center of the lock cylinder.

CD4000



Fingerprint Codoor

Fingerprint Codoor models FP4000 and FP5000 offer all the advantages of Codoor codelocks, with the additional benefit of being able to read fingerprints. Unlike codes, fingerprints are personal, which makes Fingerprint Codoor suitable for applications that require a higher level of security.

The unit incorporates an electronic fingerprint reader, a locking device and a power unit all in the same housing. They are suitable for indoor use only and offer the use of up to 32 different fingerprint templates. All programming is done directly in the Fingerprint Codoor unit itself.

To open the door all the users need to do is place a finger on the reader. The Fingerprint Codoor also includes a built-in code-lock with up to four 4-digit codes – the keypad is located underneath the fingerprint reader. The codelock function is useful for cleaning staff, visitors or temporary employees, for example.

The FP4000 is designed to fit European lock cases following the DIN 18251 standard, and the FP5000 is designed to fit a standard Scandinavian lock case.

FP4000



Quick and easy installation



Compact card reader

BC615 EM



The BC615 is a compact card reader that uses an access card to allow entrance. Since access cards are personal the actual entrance can be traced back to a specific card. In combination with a personal PIN code this makes for a higher level of security and control. If someone presents a lost or stolen card to the reader but does not have the correct PIN code then access is denied.

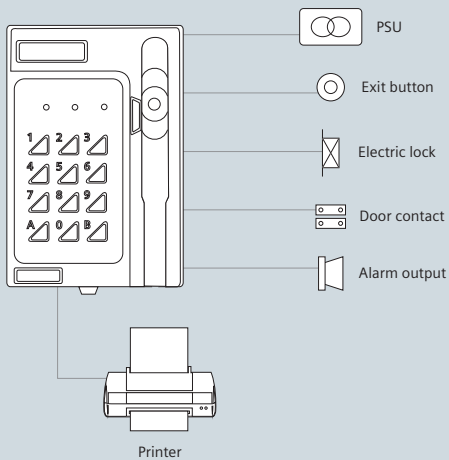
With its impact-resistant cast metal housing, durable easy-to-press stainless steel buttons; the BC615 is suitable for either outdoor or indoor use. Installation is quick and easy since all functions are included in the unit itself, once connected to an electric lock and a power source all programming is performed directly on the BC615 buttons. The BC615 is available with three reading technologies – magnetic stripe, EM4102 or Cotag.

BC615 compact card readers provide a high level of security since they only unlock the door for people who are able to present a valid personal access card – or, alternatively, both a personal access card and their own personal PIN code. An event log of up to 1,000 events is stored in the unit showing which user was where and when. So if you want to know who unlocked the main door yesterday evening at 20.00 h all you need to do is make a printout of the event log.

With the built-in calendar clock security levels can be changed depending of time of day or week. Only a card may be required during business hours, but on weekends or off hours a card and personal PIN code are required to enter. Additionally the cards that are read can be programmed to only allow access at particular times of the day or week, if desired.

The BC615 is designed to be used on a single door, but the BC615 range of compact card readers can also be connected to a SiPass® Entro system in conjunction with CR1, if so desired.

BC615



Highlights

- Uses personal access card and PIN code
- Time controlling with built-in calendar clock
- Event log of the last 1,000 events
- Easy to install and maintain
- Quick to cancel or issue new cards
- LED indicates if a PIN code is required
- Tamper proof



DC800 door controller – for split-mounted applications

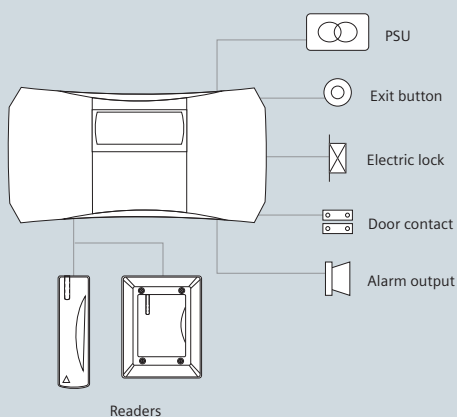
The DC800 is designed for split mounting. A split-mounted solution separates the control device (DC800) – which is mounted in a secure area inside the building – from the card reader that is installed outside the locked door. This protects the control device from vandalism. As a result, split-mounted access control solutions provide a very high level of security.

The DC800 door controller can manage access rights for up to 1,000 cardholders and offers a range of different reader options – card only, group code only, or card plus personal code. It can also be connected to readers on both sides of the door to control and track both entries and exits. With the integrated calendar clock it is possible to program different access settings for special times of the day, week, or for holidays further, it includes a “door control” function – that is, an alarm is activated when the door does not close properly.

SiPass Entro Lite software installed is required to view and search the event log.).

The DC800 single-door application can at any point be upgraded to a multi-door system without any hardware redundancy.

DC800



Programming is easy via the built-in keypad, or if you desire, from a PC with SiPass® Entro Lite software installed. If a number of DC800 devices are installed at the same site (or at different sites), it is very efficient to make whatever programming changes are required on a laptop computer and then simply bring the laptop to each installed DC800, and connect it to execute the necessary changes.

The DC800 stores up to 1,000 events – valid entries, forced-entry attempts, communication disturbances, etc. – in its offline event log (note that a PC with the

Highlights

- Split-mounted for increased security
- Offers a wide range of reader options
- Supports 1,000 cardholders
- Easy to administer and maintain
- Programmable for groups
- 10 time schedules
- Event log of 1,000 events
- Easy to upgrade to an access control system at a later date

Accessories

Siemens offers a range of high-quality accessories that enhance the performance and durability of our SiPass Single Door Products range.

Rain covers



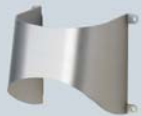
The rain cover offers protection from the natural elements and is recommended for outdoor installations. The covers have pre-cut holes for cabling and mounting.

SH1 is a universal weather-proof cover designed for use with SiPass card readers.

SH2 is a weather-proof cover designed for use with SiPass codelocks.

SH4 is a weather-proof cover for use with the BC615 compact card reader.

Spy-proof



The spy-proof cover is used where higher security is needed. The cover makes it very difficult for a person to observe the codes entered. It can be used together with the K42 and K44 Duo codelocks.

Flush mounting



The flush mounting kits provide an unobtrusive and aesthetically pleasing installation. They have pre-cut holes for installation and mounting. Not shown in the picture is the cover piece which fits externally and aligns against the sides of the product.

BB3 is a flush mounting kit designed for use with SiPass codelocks.

BB4 is a flush mounting kit designed for use with the BC615 magnetic stripe reader.

BB4Prox is a flush mounting kit designed for use with the BC615 proximity compact card readers (EM & Cotag).

The SK5 security unit



The SK5 security unit is mounted indoors away from the reader, if the units tamper switch is triggered than the SK5 cuts all power to the lock and activates the alarm output. The SK5 is designed for use with all SiPass Single Door Products that have a tamper switch. It includes a buzzer with a reset button and an alarm output.

CR1 Network interface



The CR1 is required to connect a BC615 card reader to a SiPass Entro system. It is an interface that converts between FS232 and RS485.



| Technical information Sipass Single Door Products | K42 | K44Duo | CD3500/ CD4000 | FP4000/ FP5000 | BC615 | DC800 |
|--|----------|----------|------------------------|---------------------|-------------------------|--------------------------------------|
| Maximum number of codes | 2 | 30 | 9 | 4 | 15 | 10 |
| Tamper switch | No | Yes | No | No | Yes | Yes |
| Suitable for outdoor use | Yes | Yes | No | No | Yes | No |
| Opening time | 1-30 sec | 1-99 sec | max 7 sec | max 7 sec | 1-99 sec | 1-99 sec |
| Backlit | Yes | Yes | No | No | Yes | No |
| Supported card technologies | | | | | Magstripe, Cotag, EM | |
| Reader interface | | | | | | Wiegand, Clock&Data and BCLink |
| Upgradability to access control system | No | No | No | No | Yes | Yes |
| Number of cardholders/fingerprints | | | | 32 | 1000 | 1000 |
| Number of time schedules | | | | | 15 | 10 |
| Event log | No | No | No | No | Yes | Yes |
| Integrated calendar clock | No | No | No | No | Yes | Yes |
| Personalized access rights | No | No | No | Yes | Yes | Yes |
| Battery lifetime (lithium batteries) | | | Approx. three years | Approx. one year | | |
| Door monitoring | No | Yes | No | No | Yes | Yes |

Welcome to the world of innovative thinking

■ Innovation

For the last 160 years, Siemens has been investing a great deal in both manpower and research and development. This has ensured a constant stream of new insights, technologies and inventions that enable us to continuously improve the reliability of our products and systems to make them easier to install and operate.

Advances in digital technologies are creating a whole new world of possibilities. Siemens has been at the leading edge of progress in this field and continues to redefine both current and future technologies.

■ Interoperability

Interoperable systems are now supplied alongside such basic requirements as lighting, heating and water in a building. As a company, we know that integration supports the business environment through the interaction of products and systems. We break down the barriers between our access control, intrusion detection and video surveillance product lines in our security portfolio and listen to what the market actually wants. We then develop to deliver both fully integrated and interoperable security systems, based on our 30 years of know-how in security.



Siemens Switzerland Ltd
Building Technologies Division
International Headquarters
Gubelstrasse 22
6301 Zug
Switzerland
Tel +41 41 724 24 24
Fax +41 41 724 35 22

Siemens Building Technologies
A Division of Siemens Ltd (Australia)
885 Mountain Hwy
Bayswater, VIC, 3153
Australia
Tel +61 3 9721 2000
Fax +61 3 9720 9966

Siemens Limited
Building Technologies
Units 1006-10
10/F, China Resources Building
26 Harbour Road
Wanchai
Hong Kong
Tel +852 2870 7888
Fax +852 2407 4457

Siemens Pte Limited
Building Technologies
The Siemens Center
60 MacPherson Road
348615
Singapore
Tel +65 6490 6000
Fax +65 6490 6001

Siemens Building Technologies
Security Products Limited
Brecon House
Llantarnam Park
Cwmbran
NP44 3AB
United Kingdom
Tel +44 871 386 0800
Fax +44 871 386 0888

The information in this document contains general descriptions of technical options available, which do not always have to be present in individual cases. The required features should therefore be specified in each individual case at the time of closing the contract.

Subject to change • Order no. A6V10209445 •
© Siemens Switzerland Ltd • Printed in Switzerland • 10805 Ah