



CD3500

Access Control

Codoor codelock – Scandinavian

- **Stand alone programmable codelock for single door**
- **Simple and quick to install**
- **Internal power supply**
- **Built in safety backup**

CD3500 is a battery-powered codelock that fits directly on the door inside a building. It locks the door from the outside and when the correct code is entered it allows the door to be opened once. The programming of codes is carried out directly on the button panel. The lock can be set manually to “unlock”. Repeated keying of the wrong code blocks the unit from further attempts. The batteries used are standard alkaline or lithium cells.

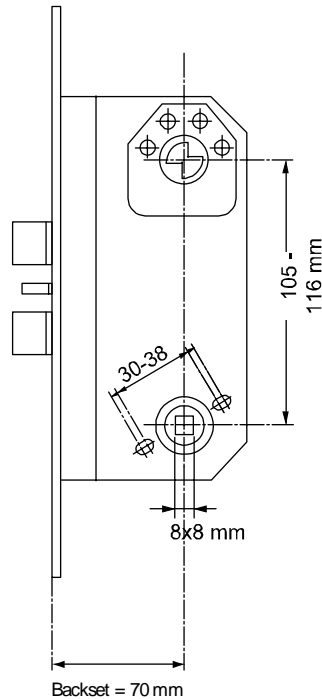
Lithium cell batteries provide a number of advantages:

- The voltage level is constant during the whole life cycle.
- The battery recovers faster when there is a more frequent use of the CD3500.
- They are more environmentally friendly since they have a longer lifetime.
- Storing time can be up to ten years.

Prerequisites

The CD3500 is suitable for lock cases with a distance of between 105 mm and 116 mm between the center of the door handle and the center of the lock cylinder. It is designed to fit a Scandinavian lock case.

The illustration below gives the dimension of a lock case.



Technical data

	CD3500
Code capacity	9
Color	Stainless steel
IP rating	IP 30
Environment	Indoors, dry
Operating temperature	0 to +50 °C
Operating voltage	9 VDC. Two batteries, 9V type 6LR61 (not included).
Operational time	Up to 150,000 openings (lithium batteries) or 50,000 openings (alkaline batteries), or one year, whichever comes first
Dimensions (W x H x D)	64 x 245 x 47 mm

Details for ordering

Type	Part no	Designation	Weight
CD3500	S24246-C8100-A1	Codoor codelock	1.0 kg

Issued by
Siemens Building Technologies
Fire & Security Products GmbH & Co. oHG
D-76181 Karlsruhe
www.buildingtechnologies.siemens.com

© 2008 Copyright by
Siemens Building Technologies
Fire & Security Products GmbH & Co. oHG
Data and design subject to change without notice.
Supply subject to availability.