



FP5000

Access Control

## Fingerprint Codoor – Scandinavian

---

- **Quick and easy to install**
- **Stores up to 32 fingerprint templates**
- **Capacitive three-dimensional sensor**
- **Internal power supply**

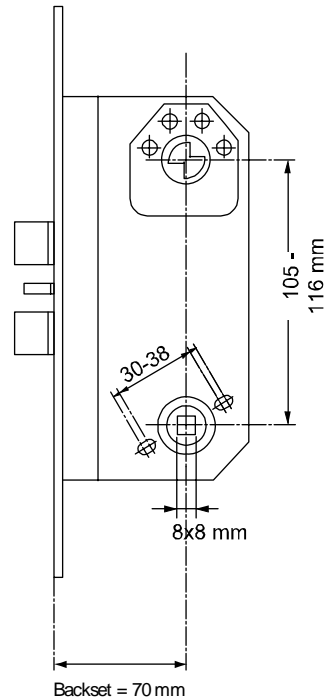
Fingerprint Codoor, a complete reader unit suitable for fitting to a single door, incorporates an electronic fingerprint reader locking device and a power unit in the same housing.

Fingerprint Codoor offers the use of up to 32 different fingerprint templates and up to four 4-digit codes. These can be used in parallel with fingerprint reading. When Fingerprint Codoor is fitted, the outside door handle is disengaged and may be pressed down without opening the door. To open the door a finger has to be placed on the reader (or a code must be entered). The handle on the inside of the door is not affected by Fingerprint Codoor, and works normally for people leaving the premises.

## Prerequisites

FP5000 is suitable for lock cases with a distance of between 105 mm and 116 mm between the center of the door handle and the center of the lock cylinder. It's designed to fit a Scandinavian lock case.

The illustration below gives the dimension of a lock case.



## Technical data

<b>FP5000</b>	
Color	Stainless steel
Environment	Indoors, dry
Operating temperature	0 to +50 °C
Operating voltage	9 VDC. Two batteries, 9V type 6LR61 (not included).
Dimensions (W x H x D)	64 x 245 x 59 mm
Sensor	Capacitive three-dimensional (requires that the finger is "alive")
IP rating	IP30
Operational time	Approx. 16,000 openings (lithium batteries) or one year, whichever comes first

## Details for ordering

Type	Part no	Designation	Weight
FP5000	S24246-C8151-A1	Fingerprint Codoor	1 kg

Issued by  
 Siemens Building Technologies  
 Fire & Security Products GmbH & Co. oHG  
 D-76181 Karlsruhe  
[www.buildingtechnologies.siemens.com](http://www.buildingtechnologies.siemens.com)

© 2008 Copyright by  
 Siemens Building Technologies  
 Fire & Security Products GmbH & Co. oHG  
 Data and design subject to change without notice.  
 Supply subject to availability.