



Access control

SiPass[®] Entro – Open the door to comprehensive security





SiPass® Entro: Scalable, flexible and user-friendly access control

In an increasingly uncertain world, implementing a reliable access control system is a crucial step toward improving the security of buildings and protecting property, data and human lives.

Thousands of organizations worldwide place their trust in SiPass® access control systems by Siemens.



SiPass Entro offers perfect adaptation to almost any environment

■ Ideal for organizations of all sizes

SiPass® Entro is ideal for small and large companies in sectors such as industrial manufacturing, services, health care and retail, as well as public agencies and residential complexes.

■ Powerful, easy-to-use software

SiPass Entro includes Windows-based software that can control up to 10,000 systems/sites, each with up to 512 doors and 40,000 cardholders.

■ Wide range of compatible readers

A wide range of card and reader technologies are available, including hands-free, long-range and automatic vehicle identification (AVI).

■ Works with intrusion detection

SiPass Entro can simplify the arming and disarming of intrusion detection systems via the use of dual-purpose readers for both access control and intrusion detection.

■ Integration with SISTORE™ DVRs

SiPass Entro includes integrated digital video recorder (DVR) functionality that enables the seamless connection and operation of Siemens' SISTORE™ range of DVRs.

■ Extensive range of external controls

The system can handle a large number of external controls, including elevator control, alarm outputs, machine control and fire alarm inputs.

■ Emergency support

The system includes roll-call and anti-passback functionality that is invaluable in an emergency.

■ Integrated reservation function

The system's integrated facility reservation function works via the Internet and/or via one or more InfoPoint terminals.

■ Open system for easy integration

SiPass Entro is an open system that is easy to integrate with third-party systems for accounting or time and attendance, for example.

■ User-friendly hardware

The segment controller's built-in display and keypad enable on-site programming – a significant benefit in terms of daily operation and service activities.

■ Cost-efficient and flexible

All versions of SiPass Entro are backward-compatible to allow for future expansions to meet changing needs.

■ Reliable and robust

Since it was launched in 1997 more than 6,000 systems have been installed, monitoring more than 60,000 doors around the world.

Highlights

- Ideal for organizations of all sizes
- Powerful, easy-to-use software
- Wide range of compatible readers
- Works with intrusion detection
- Integration with SISTORE DVRs
- Extensive range of external controls
- Emergency support
- Integrated reservation function
- Open system for easy integration
- User-friendly hardware
- Cost-efficient and flexible
- Reliable and secure



SiPass® Entro components

■ SiPass® Entro software

SiPass® Entro includes easy-to-use, Windows-based software that is installed locally on a standard PC. It can control up to 10,000 systems/sites that can each manage up to 512 doors and 40,000 cardholders.

Simplicity and clear operation principles virtually eliminate the chance of mistakes, thereby improving security. The PC can be connected to the SiPass Entro system via direct cable, LAN, the Internet or a modem, which means that SiPass Entro can fit any infrastructure and even be managed remotely from any location.

The PC connection is required only for adding, modifying or deactivating cards and producing reports. In all other respects SiPass Entro is a fully autonomous system with all the data needed for operation stored in the SR34i segment controllers.

SiPass Entro supports various operating authorizations – for example, reception personnel may be authorized only to handle card activation while administrators are authorized to implement basic modi-

fications of the system. SiPass Entro can also simplify the arming and disarming of intrusion detection systems via the use of dual-purpose readers for both access control and intrusion detection.

Alarm bypass and alarm control functions are unique advantages of SiPass Entro. It's easy to define alarm zones using the Entro software. At each reader or door assigned to an alarm zone, the alarm can be activated or deactivated. SiPass Entro's alarm status feedback (ASF) function can indicate the status (armed/disarmed) of the zone at any reader in the zone (via the red reader LED).

It is possible to activate roll-call and anti-passback functions wherever reliable information is needed about which people are located in a given area. This is particularly critical during emergencies when decisions affecting human lives and property must be made quickly.

In applications that include SISTORE™ DVRs, the SiPass Entro software fully integrates the DVRs into the access control system, which makes event-triggered recording very easy.

■ Segment controller

The SR34i segment controller is the heart of the SiPass Entro system. It processes all the information in the system and stores the complete database. As a result, the system is robust, easy to maintain and able to operate without a connected PC. The integrated display and keypad enable on-site programming without the use of additional devices, which is a significant benefit in terms of daily operation and service activities. The integrated Web server and flash memory port provide the basis for additional online functions that can be customized for specific customer requirements. The integrated dual port switch makes network installation a simple matter.

SiPass Entro controller units can communicate using a wide variety of methods, such as standard RS-485, TCP/IP networks, modems or WLAN. These communication channels can also be combined as required. Regardless of the physical network used, 128-bit encryption is always applied.

SiPass® Entro software



SR34i segment controller



■ **Door controllers**

The DC12 door controller is used to connect all elements of a door. It supports all standard modes from the basic one entry reader to two entry-and-exit readers for an anti-passback system. In addition to Siemens readers, it is possible to connect most third-party readers that support Wiegand and Clock&Data standards.

The DC22 door controller has all of the features of the DC12 and also supports alarm status feedback in conjunction with alarm systems. It also has two outputs for electric locks (day/night lock) as well as two relays for implementing alarm controls.

Both door controllers have an integrated status display, which facilitates simple installation and service.

■ **InfoPoint reservation terminal**

SiPass Entro includes a reservation function that works via the Internet and/or via

one or more InfoPoint reservation terminals. An InfoPoint terminal can be mounted at the entrance to a facility or room so that users can view and edit their reservations directly in the terminal. InfoPoint has an integrated function to transfer information to and from the SR34i segment controller (which acts as a Web server).

■ **Readers, cards and tags**

The full range of SiPass Entro readers, cards and tags are available for use. By using a combination of magnetic stripe and proximity card readers (with or without keypads), it is possible to create a "tailor-made" Entro system to suit the specific security needs of any organization.

■ **External controls**

SiPass Entro can handle a large number of external controls via its IOR6 input/output controllers. Typical examples are elevator control, alarm outputs, machine control and fire alarm inputs.

■ **SISTORE DVRs**

Each segment controller in a SiPass Entro system can be connected to a SISTORE digital video recorder. In total, up to 16 DVRs and 128 cameras can be integrated into a SiPass Entro system. Depending upon the type of DVR chosen, the configuration of the recording rules can be set using the SiPass Entro software. Video recordings are stored in the SiPass Entro event memory and can be recalled and played at the touch of a button.

■ **Open system**

It is easy to integrate SiPass Entro with a number of third-party systems – such as those for accounting or for tracking time and attendance – via BAPSI open interface technology.

SISTORE™ MX digital video recorder

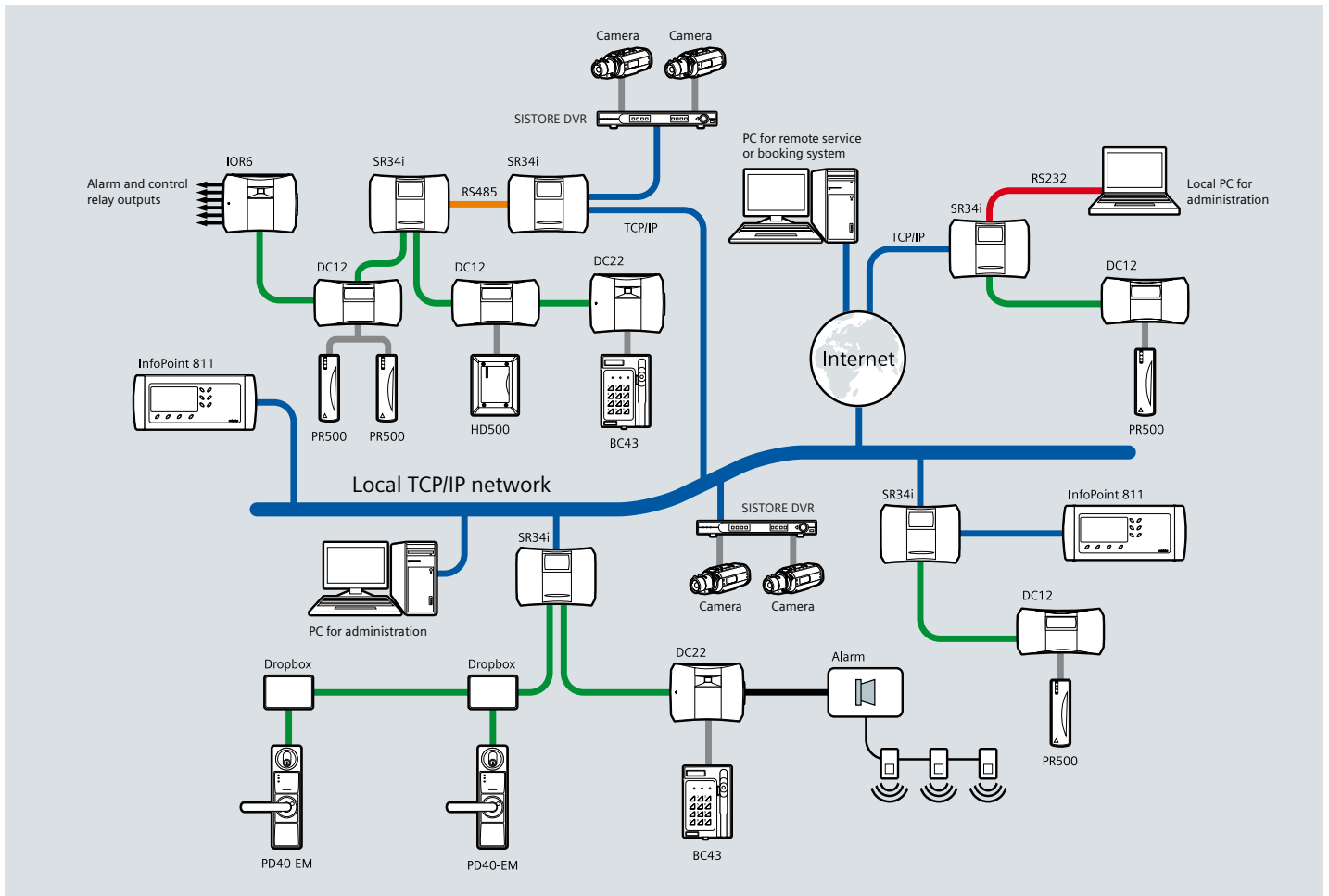


InfoPoint



Proximity reader and tag





SiPass® Entro applications

SiPass® Entro's flexibility, scalability and user-friendliness have made it the obvious choice for companies in a wide range of business sectors, including industrial manufacturing, services, health care and retail, as well as public agencies and residential complexes.

■ Manufacturing, distribution and other commercial facilities

Whether large or small, most manufacturers and distributors must manage access to warehouses, halls, garages and other kinds of facilities. They also need fast and easy access to accurate information about the location of employees in high-risk or critical plant areas in order to respond appropriately in emergencies.

SiPass Entro provides a variety of features that improve security in an industrial environment, including the anti-passback function, time and attendance monitoring, hands-free and/or long-range read-

ers, automatic vehicle identification (AVI) at gates or barriers and links to alarm systems.

■ Office buildings

More and more, the modern office environment is characterized by shared facilities, mobile work spaces and temporary employees. If security is not to be achieved at the expense of unacceptable limitations on people's freedom of movement, a flexible and user-friendly access control system is a must. SiPass Entro enables you to classify people at a location as employees, customers, service providers, temporary employees, and so on, and assign them different access privileges and/or time restrictions.

■ Residential complexes

SiPass Entro is ideally suited to increasing the level of security, service and comfort of residential complexes, without the risk of lost keys and the hassle of managing

checkout and usage lists. It can secure all outer doors and garage entrances, provide access to service providers and manage residents' facility reservations. The system can be combined with one of Siemens' door-entry phone systems for additional convenience and security.

■ Sports and leisure facilities

SiPass Entro offers affordable systems for smaller sports and leisure facilities, such as tennis courts and tanning salons, which often have limited personnel. SiPass Entro's reservation function in combination with the open interface makes it possible to book these facilities via the Internet. SiPass Entro ensures a better overview of the use of facilities and at the same time reduces the risk of misuse.

Technical data

Door capacity	512
Card capacity	40,000
Access groups	480
Time schedules	240
Zones	240 global zones, including: alarm control with ASF, anti-passback, roll-call, entrance limitation, interlock
Elevator control	Yes, up to 192 floors
Built-in reservation function	Yes, up to 64 reservation objects
Machine control	Yes, in conjunction with reservation
Door configuration	Entry and exit readers
Day&Night lock control	Yes, with DC22 door controller
Communication interfaces	RS232, RS485, TCP/IP for LAN/WAN
Reader interfaces	BC-Link, Clock&Data, Wiegand 26-bit, 32-bit and 8-bit burst
Optional interfaces	Open TCP/IP interface to other third-party systems through BAPSI
Software	Client-based software supplied on CD-ROM that can support up to 10,000 systems/sites
Operating system	Windows XP, Windows 2000
Standard languages	English, German, French, Spanish, Dutch, Danish, Norwegian, Swedish and Finnish
Multiple-user database	Up to 16 clients
Administrator rights	Configurable in 5 different levels
Backup/restoration of system data	Manual and automatic through mirrored database
Import/export of cardholder data	Yes
Event log	Yes, with real-time update
Event buffer	10,000 in offline mode
Export of events	Yes
DVR integration	Siemens SISTORE AX, CX and MX - one SISTORE DVR per segment controller - maximum of 16 DVRs and 128 cameras

Welcome to the world of innovative thinking

■ Innovation

Siemens invests a great deal in both manpower and research and development. This results in a steady stream of new insights, technologies and inventions that enable us to improve the reliability of our products and systems, ensuring the securest products and making our systems even more simple and convenient to operate.

Advances in digital technologies are creating a whole new world of possibilities. Siemens is at the leading edge of progress in this field and continues to redefine both current and future technologies.

■ Reliability

With a history of over a hundred years, if you need an established, reliable partner you are in the very best of hands with Siemens. System expansions and upgrades can be continuously made over a period of years, which ensures your investment for the future.

■ Security

Siemens products and systems provide you with security. Today, tomorrow and for decades to come. That's why countless customers around the world place their trust in Siemens.



Siemens Switzerland Ltd
Building Technologies Group
International Headquarters
Gubelstrasse 22
6301 Zug
Switzerland
Tel +41 41 724 24 24
Fax +41 41 724 35 22

Siemens Building Technologies
A Division of Siemens Ltd (Australia)
885 Mountain Hwy
Bayswater, VIC, 3153
Australia
Tel +61 (0)3 9721 2000
Fax +61 (0)3 9720 9966

Siemens Limited
Building Technologies
Units 1006-10
10/F, China Resources Building
26 Harbour Road
Wanchai
Hong Kong
Tel +852 2870 7888
Fax +852 2407 4457

Siemens Pte Limited
Building Technologies
The Siemens Center
60 MacPherson Road
348615
Singapore
Tel +65 6490 6000
Fax +65 6490 6001

Bewator Limited
A Siemens Business
Brecon House
Llantarnam Park
Cwmbran
NP44 3AB
United Kingdom
Tel +44 (0)871 386 0800
Fax +44 (0)871 386 0888

The information in this document contains general descriptions of technical options available, which do not always have to be present in individual cases. The required features should therefore be specified in each individual case at the time of closing the contract.

Windows is a registered trademark of Microsoft Corporation.

Subject to change • Order no. A24205-A335-B430 • V1.1 • © Siemens Switzerland Ltd