



From CerPass to SiPass™

Modernization Solutions for Access Control Systems

■ Step into the future

The stepwise replacement of a proven Siemens installed and maintained CerPass access control system makes sense for various reasons:

- An increase in only limited accomplishable security requirements.
- An increase in running costs of operating the system.
- Specific system flexibility limitations.
- The desire for simplified business processes.

As a leading provider of security solutions, Siemens offers comprehensive modernization concepts which have been properly thought-out and tested. With our experience from numerous modernization projects, you can ensure a smooth transition to a more efficient access control system.

■ Modernization will bring you numerous benefits

SiPass™ has a number of interfaces for integrative data management. It simplifies the exchange of data with personnel management systems and offers user-friendly operation. Thereby, contributing to the reduction of process-related costs. All good reasons for the stepwise transition to a more modern technology.

■ Investment protection

- The existing CerPass peripheral devices (reader, cabling, controller) can be integrated into the SiPass™ system.
- Existing customer specific data can be taken over.

■ Flexible applications

- Configurable for specific requirements, structures and processes.
- Integrated interfaces for time and attendance applications and personnel administration.

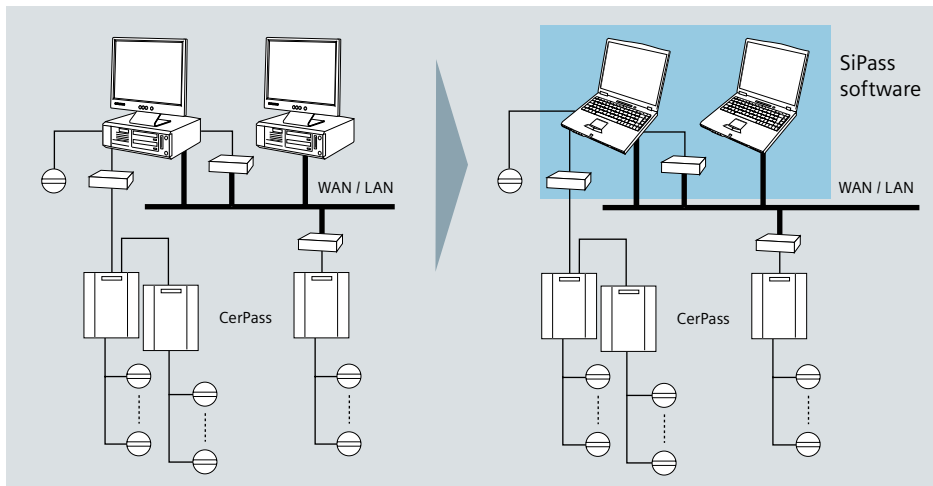
■ User-friendly

- Simple system administration through the integration of SiPass™ in existing IP networks.
- User-friendly through use of the Microsoft Windows based interface.

■ Scalable

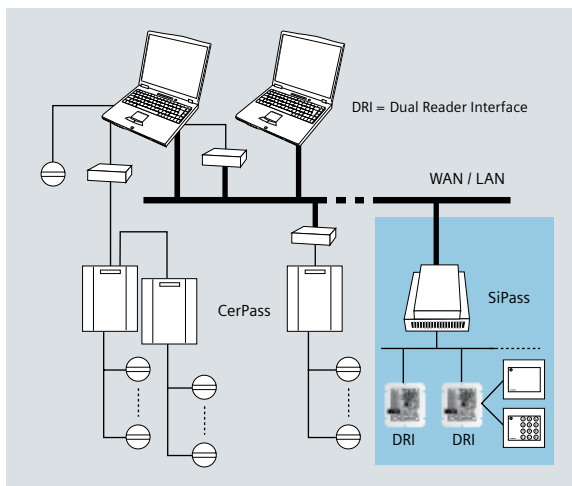
- System expansion through SiPass™ hardware (mix operation) enables scalability to meet different requirements.
- Enhanced functionality, for example the control of video surveillance systems to improve alarm verification procedures.

Modernization: From CerPass to Siemens SiPass™



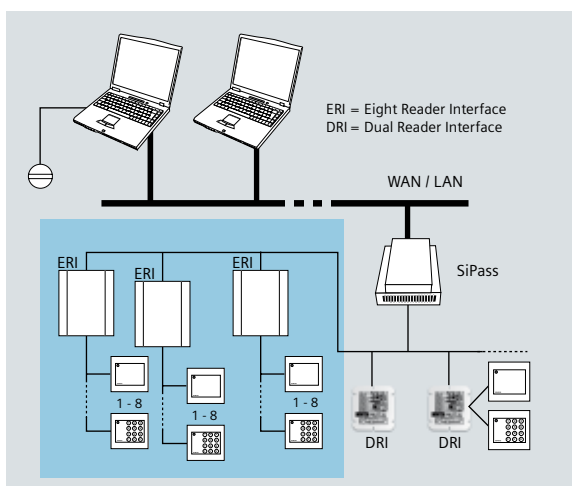
■ Step 1

Software migration from CerPass to SiPass™ and reuse of existing hardware.



■ Step 2

Expansion of the system with SiPass™ components (mix operation).



■ Step 3

Modernization of the CerPass peripheral devices (reader and controller) to SiPass™ and use of new applications (e.g. smart card).

Compatible with SiPass™ Identification System			
System	R/W*	EN*	RD*
Mifare	✓	✓	7
Legic	✓	✓	10
Access Link	✓	✓	60
Hitag	✓	✓	60
Miro	-	-	60
Long distance	-	-	1000
Biometric	FP*	IK*	-
Magnetic	✓	-	-
Other	bar code...		

* R/W=read/write, EN=encoded
RD=Read distance in cm, FP=Fingerprint
II=Iris Identification

Quality and reliability are the preferences of our world today – both are synonymous with Siemens. Advantage Services™ provides a comprehensive service portfolio for your building's infrastructure covering building automation, fire and security. These services are designed to enhance performance, deliver protection and create real value over the entire life cycle of your facility, thereby allowing you to concentrate on your core business.

Siemens Switzerland Ltd
Building Technologies Group
International Headquarters
Gubelstrasse 22
CH-6301 Zug
Tel +41 41 724 24 24
Fax +41 41 724 35 22
www.siemens.com/buildingtechnologies