

FT2001-A1, F50F410

Sinteso™

Mimic display driver, LED flat cable

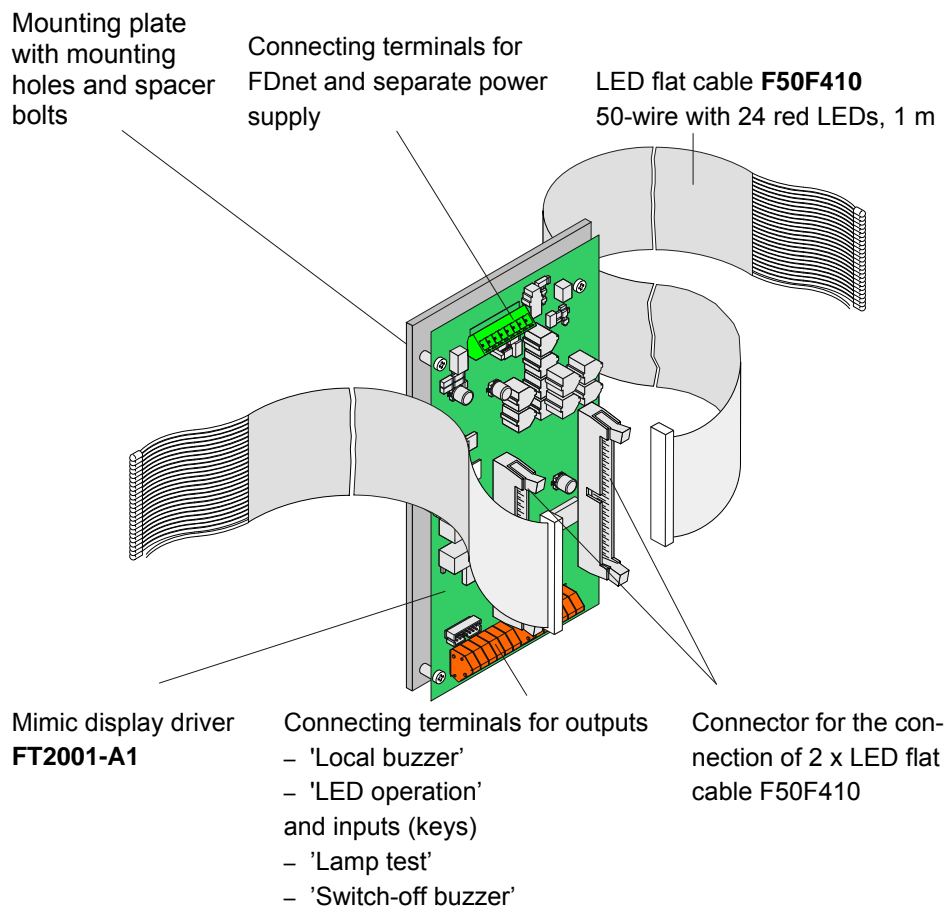


FDnet device

-
- Mimic display driver as FDnet device for use with the addressable Sinteso™ FS20 fire detection system
 - LED flat cable 50-wires with 24 red LEDs, length 1.0 m
 - Communication via FDnet (individual addressing)
 - Power supply via FDnet, additional 24 V power supply possible
 - The Mimic display driver board is built into the mimic panel housing

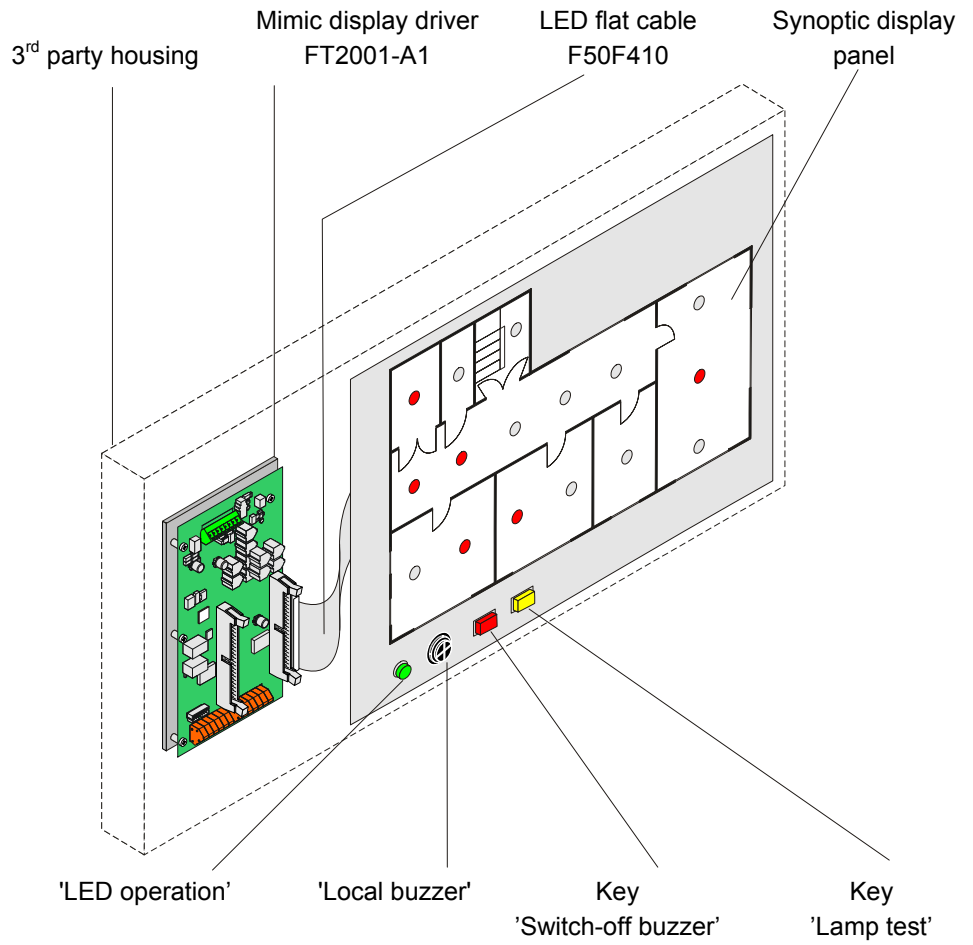
Characteristics mimic display driver FT2001-A1

- Communication via FDnet and can be operated in loops or in stub lines
- 2x24 outputs for LED activation for mimic display panels
- Connection to LED via flat cable F50F410 (50-wire, 24 red LEDs, cable length 1 m, must be ordered separately)
- 2 control outputs for 'Local buzzer' and 'LED operation'
- 2 inputs for 'Switch-off buzzer' and 'Lamp test'
- Integrated line separator
- Separate 24 V power supply possible
- MC-Link plug-in point for firmware update

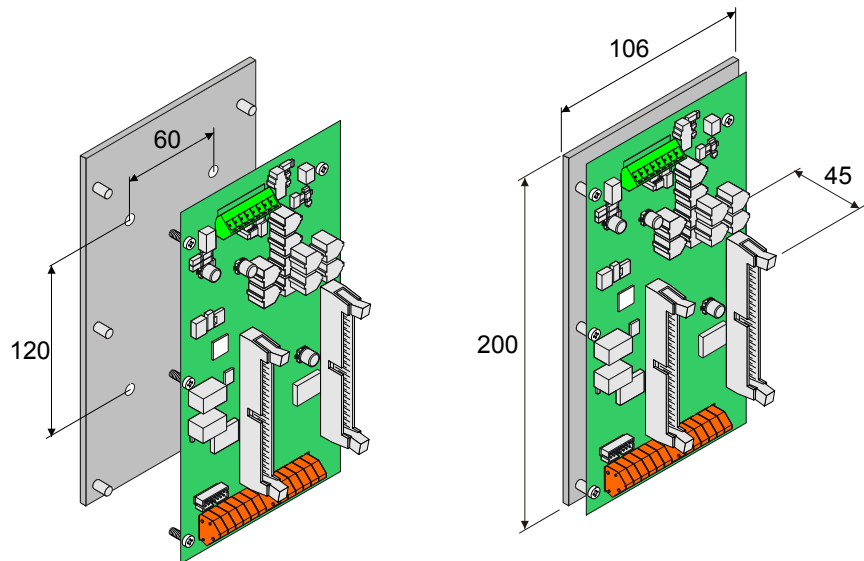


Application

The mimic display driver FT2001-A1 is built directly into the same housing as the synoptic display panel (sketch board).



Dimensions



Technical data

 0786
Siemens Schweiz AG, CH-6301 Zug Date: see manufacturing date on the product 0786-CPD-20378
EN54-17, EN54-18 Mimic display driver; Safety in case of fire FT2001-A1 Technical data see Doc. 008837

Operating voltage	12... 32 VDC
Operating current	max. 45 mA
Quiescent current	max. 5 mA
External supply input	14... 32 VDC, galvanically isolated 11... 22 VAC, galvanically isolated
Outputs	
- 'LED operation'	max. 2.5 mA und 2.5 VDC
- 'Local buzzer'	max. 5 mA und 12 VDC
Operating temperature	0...40 °C
Storage temperature	-20... +60 °C
Humidity	≤95 % rel.
Communication protocol	FDnet
Connection terminals	0.08... 1.5 mm ²
Standard	EN54-17, EN54-18
Approvals	
- VdS	G208044
- LPCB	request
QS standards	Siemens Standard SN 36350
System compatibility	Sinteso/FDnet

Details for ordering

Type	Part no	Designation	Weight
FT2001-A1	A5Q00014417	Mimic display driver	0.232 kg
F50F410	5291410001	LED flat cable 50-wire	0.108 kg

Siemens Switzerland Ltd
Building Technologies Group
International Headquarters
Fire Safety & Security Products
Gubelstrasse 22
CH-6301 Zug
Tel. +41 41 724 24 24
Fax +41 41 724 35 22
www.sbt.siemens.com

© 2008 Copyright by
Siemens Switzerland Ltd
Data and design subject to change without notice.
Supply subject to availability.